

LOCINOX

Let's make it better together



SlimStone-2

MANUAL • HANDLEIDING • MANUEL
ANLEITUNG • INSTRUCCIONES
INSTRUKCJA • ИНСТРУКЦИИ

COPYRIGHT

Copyright© 2019 Locinox. All rights reserved. This product incorporates copyright protected technology that is protected by a number of EU patent method claims and other intellectual property rights owned by the Locinox Corporation and other rightholders.

Use of this copyright protected technology must be authorized by the Locinox Corporation. Reverse engineering or disassembly is prohibited.

No part of this publication can either be reproduced, communicated, transcribed, stored in a retrieval system or be translated into any language in any form or by any means, whether electronic, mechanical, magnetic, optical, chemical, manual or otherwise, unless explicit written consent has been given by the copyright holder.

NOTICE

The contents of this publication are subject to change. The Locinox Corporation reserves the right to alter the contents of this publication at any time and without notice. The contents of this publication may contain inaccuracies or typographical errors and is supplied for informational use only.

TECHNICAL SUPPORT


If you require any additional information or assistance during the installation, please contact your dealer, who will be able to provide the latest information. Alternatively, you can visit the Locinox website for more technical information or e-mail us on locinox@locinox.com. Please keep the serial number at hand of your product for future support.

SlimStone-2

MANUAL • HANDLEIDING
MANUEL • ANLEITUNG
INSTRUCCIONES • INSTRUKCJA
ИНСТРУКЦИИ


SlimStone-2




 Up to 100 entry codes

 Extreme weather proof
IP 6 8

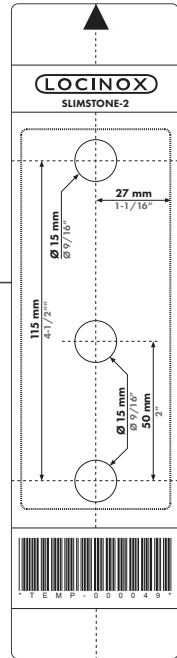
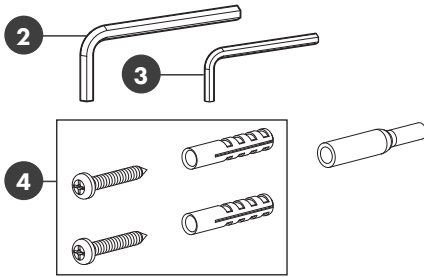
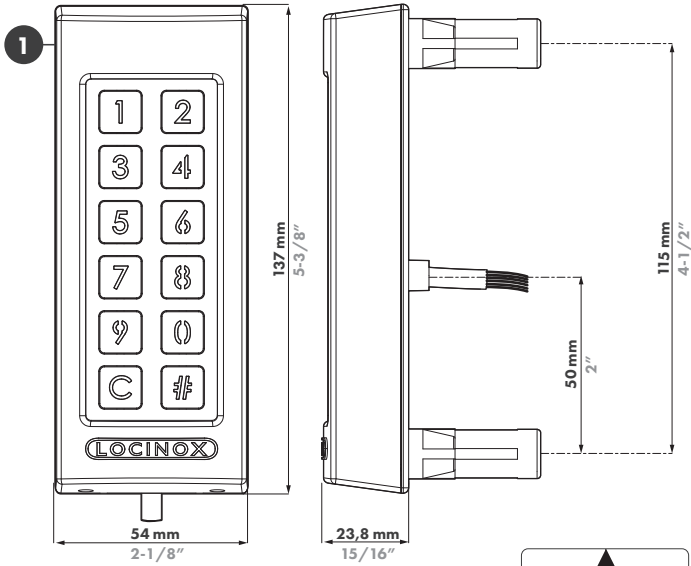
 Override contacts included

 Freeze-free by heating element

 Easily readable digits by LED lighting

 Ultimate durable components

BOX CONTENT



- 1 SlimStone-2
- 2 Allen key 6 mm
- 3 Allen key 2,5 mm
- 4 Wall mounting set
- 5 Drilling template

CONTENTS

EN	1. PRODUCT DESCRIPTION.....	49
	2. TECHNICAL SPECIFICATIONS.....	49
	3. MOUNTING	49
	4. CABLING.....	51
	5. PRIORITY CONTACT	51
	6. PROGRAMMING	51
	7. FUNCTIONING OF SLIMSTONE-2	12
	8. MAINTENANCE	54
	9. GENERAL INFORMATION	54
	10. WARRANTY.....	54
	11. TROUBLESHOOTING.....	54
	12. FREQUENTLY ASKED QUESTIONS.....	54
	13. USER CODES	97
	14. CONNECTION SCHEME	63
NL	1. PRODUCTOMSCHRIJVING	55
	2. TECHNISCHE FICHE	55
	3. MONTAGE.....	55
	4. BEDRADING.....	57
	5. VOORRANGSCONTACT.....	57
	6. PROGRAMMATIE	57
	7. WERKING VAN DE SLIMSTONE-2	59
	8. ONDERHOUD.....	60
	9. ALGEMENE INFORMATIE	60
	10. GARANTIE.....	60
	11. PROBLEEMOPOSSING.....	61
	12. VEELGESTELDE VRAGEN.....	20
	13. GEBRUIKERSCODES	97
	14. AANSLUITSHEMA	103
FR	1. DESCRIPTION DU PRODUIT.....	62
	2. SPÉCIFICATIONS TECHNIQUES	62
	3. MONTAGE	62
	4. CÂBLAGE	64
	5. CONTACT PRIORITAIRE	64
	6. PROGRAMMATION	64
	7. FONCTIONNEMENT DU SLIMSTONE-2	67
	8. ENTRETIEN	67
	9. INFORMATIONS GÉNÉRALES.....	67
	10. GARANTIE.....	68
	11. AIDE AU DÉPANNAGE	68
	12. QUESTIONS SOUVENT POSÉES.....	68
	13. CODES D'UTILISATEUR.....	97
	14. SCHÉMA DE CONNEXION	103
DE	1. PRODUKTBESCHREIBUNG.....	69
	2. TECHNISCHE SPEZIFIKATIONEN.....	69
	3. MONTAGE.....	69
	4. VERKABELUNG.....	71
	5. VORRANGKONTAKT	71
	6. PROGRAMMIERUNG	71
	7. FUNKTIONSWEISE DER SLIMSTONE-2	74
	8. WARTUNG	74
	9. ALLGEMEINE INFORMATIONEN	74
	10. GARANTIE.....	74
	11. FEHLERBEHEBUNG	75
	12. HÄUFIG GESTELLTE FRAGEN.....	75
	13. BENUTZERCODES.....	97
	14. VERBINDUNGSSHEMA	103

ES

1.	DESCRIPCIÓN DEL PRODUCTO	76
2.	ESPECIFICACIONES TÉCNICAS	76
3.	MONTAJE	76
4.	CABLEADO	78
5.	CONTACTO PRIORITARIO	78
6.	PROGRAMACIÓN	78
7.	FUNCIONAMIENTO DEL SLIMSTONE-2	81
8.	MANTENIMIENTO	81
9.	INFORMACIÓN GENERAL	81
10.	GARANTÍA	81
11.	LOCALIZACIÓN DE AVERÍAS	82
12.	PREGUNTAS FRECUENTES	82
13.	CÓDIGOS DE USUARIO	97
14.	ESQUEMA DE CONEXIÓN	103

PL

1.	OPIS PRODUKTU	83
2.	DANE TECHNICZNE	83
3.	INSTALACJA	83
4.	PRZEWODY PODŁĄCZENIOWE	85
5.	PRZEKAŹNIK PRIORYTETOWY	85
6.	PROGRAMOWANIE	85
7.	OBŚŁUGA URZĄDZENIA SLIMSTONE-2	88
8.	KONSERWACJA	88
9.	INFORMACJE OGÓLNE	89
10.	GWARANCJA	89
11.	ROZWIĄZYWANIE PROBLEMÓW	89
12.	CZĘSTO ZADAWANE PYTANIA	89
13.	KODY UŻYTKOWNIKÓW	97
14.	SCHEMAT PODŁĄCZENIA	103

RU

1.	ОПИСАНИЕ ПРОДУКТА	90
2.	ТЕХНИЧЕСКИЕ ДАННЫЕ	90
3.	МОНТАЖ	90
4.	ПРОВОЛОЧНАЯ АРМАТУРА	92
5.	ПРЕИМУЩЕСТВЕННЫЙ КОНТАКТ	92
6.	ПРОГРАММИРОВАНИЕ	92
7.	РАБОТА SLIMSTONE-2	95
8.	ОБСЛУЖИВАНИЕ	95
9.	ОБЩАЯ ИНФОРМАЦИЯ	95
10.	ГАРАНТИЯ	95
11.	ВЫЯВЛЕНИЕ НЕИСПРАВНОСТЕЙ	96
12.	ЧАСТО ЗАДАВАЕМЫЕ ВОПРОСЫ	55
13.	КОДЫ ПОЛЬЗОВАТЕЛЕЙ	97
14.	СХЕМА ПОДКЛЮЧЕНИЯ	103

Congratulations with the purchase of your SlimStone-2

EN 1. PRODUCT DESCRIPTION

The SlimStone-2 is a sturdy, weather resistant keypad with integrated LED lighting. This keypad is unique in its kind thanks to its durability. Developed and tested for use in the most extreme weather conditions, SlimStone-2 guarantees access control in all circumstances.

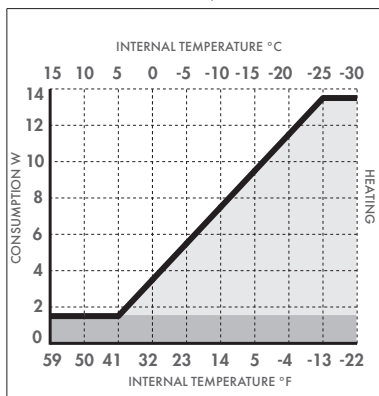
Thanks to the 2 integrated relays, with normally open and normally closed contacts, both the coupling to Locinox and other automation products and the programming of the SlimStone-2 are very easy. Equipped with innovative Quick-Fix, alternative fixings for wood and stone are also supplied.

The SlimStone-2 is made of an aluminium powder coated housing with a brushed stainless steel key panel and ditto push buttons.

Up to 100 codes can be programmed.

2. TECHNICAL SPECIFICATIONS

Operational temperature	-22°F up to 185°F -30°C up to 85°C
Power supply	10-26 V AC/DC
Switching contact	0-26 V AC/DC, 2A (60W)
Number of onboard relays	2
Cable length	2 m (6-1/2ft.)
IP value	IP68
Control inputs	2 control inputs
Consumption	1,5 W (> 5°C/41°F) + 12 W at max heating (< -25°C/ < -13°F)

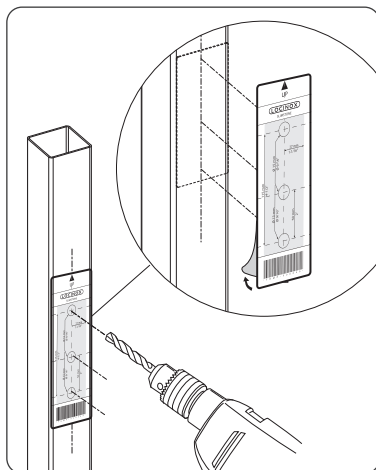


⚠ Under -20°C/-4°F a 24V power supply is recommended.

3. MOUNTING

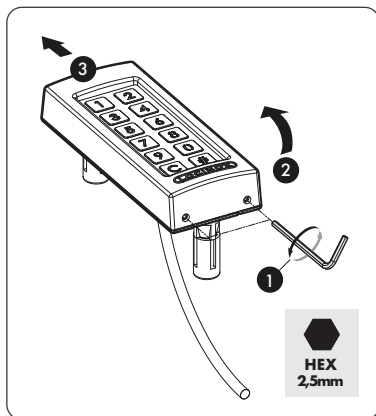
STEP 1

Stick the template and drill into the wall or post (see p.5).



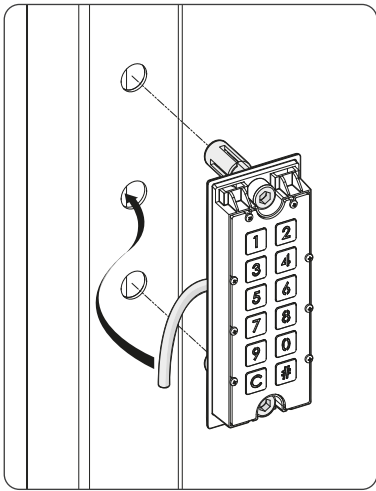
STEP 2

Remove the cover of the SlimStone-2.

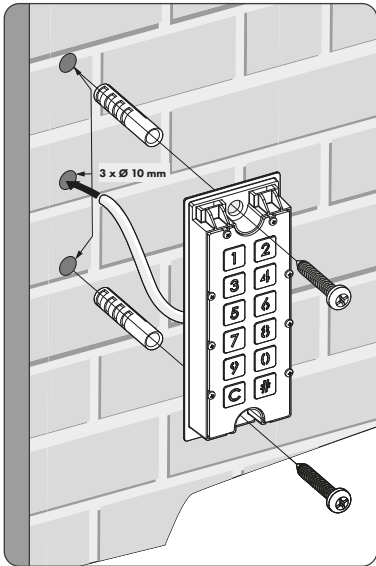


STEP 3A

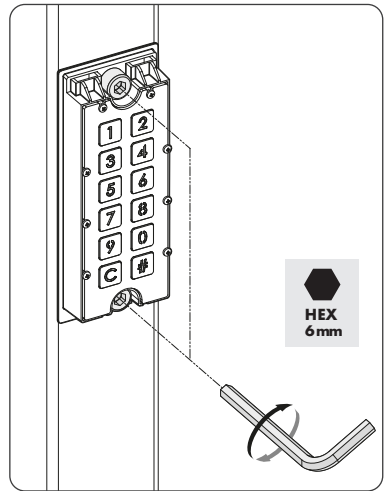
Run the cable through the middle hole in the post.

**STEP 3B**

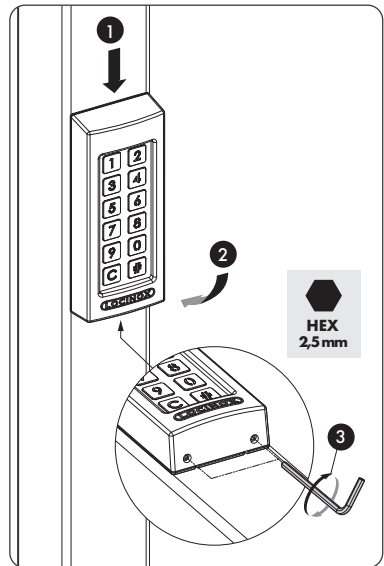
Run the cable through the middle hole in the wall.

**STEP 4**

Position the SlimStone-2 and tighten both Quick-Fix.

**EN****STEP 5**

Position the cover and tighten using 2 screws underneath.



4. CABLING

The SlimStone-2 is equipped with a 2 m long 10 conductor cable.

See p. 118 for a detailed connection scheme.

EN

Power supply

▶ AC1	▶ Blue
▶ AC2	▶ Brown

Relay

▶ Relay 1 COM	▶ Black
▶ Relay 1 NO	▶ Orange
▶ Relay 1 NC	▶ Red
▶ Relay 2 COM	▶ Black/Blue
▶ Relay 2 NO	▶ Orange/Blue
▶ Relay 2 NC	▶ Red/Blue

Override button

▶ Override 1	▶ White
▶ Override 2	▶ White/blue

⚠ *Unused cable ends must be insulated separately to ensure a proper functioning of the keypad.*

5. CONTROL INPUTS

- You can connect an external button or actuator that will activate the relays and have priority over PIN code. For example, using an intercom or free exit.
- To activate the first relay, connect the NO contact of the external button for relay 1 between J (override 1) and the 0V line (in case of DC), or one of the power lines (in case of AC).
- To activate the second relay, connect the NO contact of the external button for relay 2 between I (override 2) and the 0V line (in case of DC), or one of the power lines (in case of AC).
- For more details on control inputs, see the scheme on page 63

⚠ *Attention! This must be a dry contact with NO function.*

- The corresponding button lights up, and a light sequence runs from the bottom to the top while the relay is energised.

6. PROGRAMMING

6.1 ACCESS PROGRAMMING MODE

- Press [#] for 5 sec, [#] will start flashing
- Enter the Master PIN and press [#] (default 12345). If correct, [#] will remain lit as long as the programming mode is activated.
- If a wrong Master PIN is entered, the programming mode ends and the time out procedure as described in 7.2 applies.

⚠ *If only [#] is lit, you are in the main menu of the programming mode.*

⚠ *For safety reasons we strongly recommend to change the Master PIN upon first use.*

- Select a menu number and confirm with [#]. The following menus are available:

- [9] ▶ set Master PIN
- [1] ▶ manage PIN code
- [3] ▶ set hold time relay 1
- [4] ▶ set hold time relay 2
- [5] ▶ set lighting mode
- [7] ▶ pulse repetition
- [0] ▶ factory reset

See next paragraph for detailed information

✎ *The programming mode ends automatically when there is no activity for 60 seconds.*

- After selecting a menu, it's possible to return to the main menu by pressing the [C] key
- Press [C] for 5 seconds to exit the programming mode

6.2 SET MASTER PIN [9]

- Access programming mode (see 6.1)
- Press [9] and confirm with [#]
- [9] and [#] are both lit

✎ *The default Master PIN is 12345. It always has to be a 5-digit code.*

- Enter a new 5-digit Master PIN and press [#]. Repeat this step.
- If both codes are equal, all LEDs will light briefly and you will return to the main menu of the programming mode

- For safety reasons, the Master PIN can only be entered to access the programming mode. It cannot be used as an entry code.

⚠ When two different codes or a wrong code length is entered, all LEDs will flash three times, indicating the code hasn't been saved. Try again. [9] will remain lit.

6.3 MANAGE PIN CODE [1]

- Access programming mode (see 6.1)

⚠ A maximum of 100 different PIN codes can be programmed (min. 4 - max. 8 digits).

- Press [1] and confirm with [#]
- [1] and [#] are both lit
- Enter a new PIN code and confirm with [#]
- In case of a new code, the code will need to be repeated and confirmed with [#]
- The lights below button [1] and [2] are indicating which relays are selected to be controlled by this code
- Pressing [1] or [2] will select (permanently on) or de-select (flashing) the corresponding relay
- The selection is confirmed by pressing the [#] key
- You will return to the main menu of the programming mode

⚠ When two different codes or a wrong code length is entered, all keys will flash three times, indicating the code setting hasn't been saved. Try again. [1] will remain lit.

✎ A code can be removed by de-selecting [1] and [2] before confirmation

6.4 SET HOLD TIME RELAY 1 [3]

- Access programming mode (see 6.1)
- Press [3] and confirm with [#]
- [3] and [#] are both lit
- Enter the time (between 1 and 99 seconds) and confirm with [#]
- A valid time is confirmed with a brief lighting of all LEDs
- You will return to the main menu

⚠ Pulse mode : if the SlimStone-2 is used to control automated systems, a pulse is required. This mode can be activated by setting a time of 0 seconds. The pulse duration is 1000ms.

⚠ In case an invalid time is entered, all keys will flash three times. Menu [3] remains activated.

✎ The default time is set at 8 seconds.

6.5 SET HOLD TIME RELAY 2 [4]

- Access programming mode (see 6.1)
- Press [4] and confirm with [#]
- [4] and [#] are both lit
- Enter the time (between 1 and 99 seconds) and confirm with [#]
- A valid time is confirmed with a brief lighting of all LEDs
- You will return to the main menu

⚠ Pulse mode: if the SlimStone-2 is used to control automated systems, a pulse is required. This mode can be activated by setting a time of 0 seconds. The pulse duration is 1000ms.

⚠ In case an invalid time is entered, all keys will flash three times. Menu [4] remains activated.

✎ The default time is set at 8 seconds.

6.6 SET LIGHTING MODE [5]

- Access programming mode (see 6.1)
- Press [5] and confirm with [#]
- [5] and [#] are both lit
- Choose the mode in which you want the lighting to work:
 - [1] Always on
 - [2] Auto-dim (default):
The brightness of the lighting is dimmed to 20% after 45 seconds inactivity. As soon as a key is pressed, the lighting will be back at full brightness for a minimum time of 45 seconds.
 - [3] Auto-off:
The lighting is switched off after 45 seconds inactivity. As soon as a key is pressed, the lighting is back on for a minimum time of 45 seconds.
- Press [1], [2] or [3] and confirm with [#]. When all LEDs flash, your choice is saved
- You are back in the main menu of the programming mode

⚠ In case an invalid number is entered, all lights flash three times. Start over. Menu [5] remains activated.

6.7 SET PULSE REPETITION [7]

EN

If one or both of the relays are set to pulse mode, additional pulses can be given by pressing [#] without the need to re-enter the PIN code. This menu allows setting the duration of this pulse repetition timeframe.

- Access programming mode (see 6.1)
- Press [7] and confirm with [#]
- [7] and [#] are both lit
- Enter the timeframe within which pulse repetition is allowed (between 1 and 99 seconds), and press [#] (0s will disable pulse repetition)
- If a valid value is entered all lights will light up, you will return to the main menu

⚠ In case of an invalid value, all lights will flash three times. Menu 7 remains activated.

✎ By default the value is set to 'no pulse repetition'.

6.8 KEYPAD HEATING [8]

- Access programming mode (see 6.1)
- Press [8] and confirm with [#]
- [8] and [#] are both lit
- Select the mode for the keypad heating:
[1] Full power heating (default): The keypad heating can consume up to 12W of power
[2] Half power heating: The power consumed for keypad heating is limited to a maximum of 6W.
[3] No heating: The keypad heating is disabled.
- Press [1], [2] or [3] and confirm with [#]. When all LEDs flash, your choice has been saved.
- You are back in the main menu of the programming mode

⚠ In case of an invalid value, all lights will flash three times. Start over. Menu [8] remains activated.

6.9 FACTORY RESET [0]

- Access programming mode (see 6.1)
- Press [0] and confirm with [#]
- [0] will flash rapidly to indicate an irreversible action can be taken
- Enter the Master PIN and confirm with [#] for 2 seconds
- When all LEDs flash, the factory reset is complete.

All settings are restored to default values except for the Master PIN

6.10 FACTORY RESET UPON LOSS OF MASTER PIN

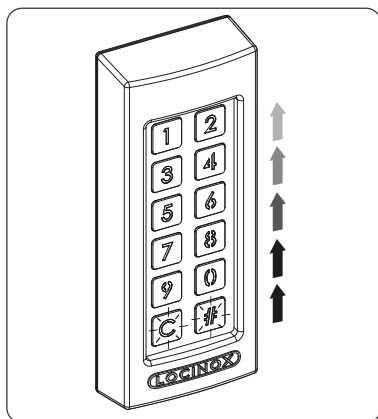
Perform a factory reset without a Master PIN:

- Switch the power supply off and on, enter the default Master PIN '12345' and confirm by press and holding [#] for 2 seconds within 20 seconds
- The factory reset is complete
- In case of a factory reset as described above, the Master PIN is reset to '12345'

7. FUNCTIONING OF SLIMSTONE-2

7.1 ENTER A CORRECT CODE

- Enter a personal code (min. 4 - max. 8 digits)
- Press [#] to confirm the code
- In case the code is only valid for 1 relay, the relay will be activated immediately
- In case the code is valid for both relay 1 and 2, buttons [1] and [2] will flash. Press [1] and/or [2] to activate relay 1 and/or relay 2.
- The corresponding button lights up, and a light sequence runs from the bottom to the top during the time the relay is energised (default time is 8 seconds)




- If the sequence light stops, the relay is no longer energised. The SlimStone-2 is ready for a new code.

7.2 ENTER A WRONG CODE

- Enter a wrong code
- Press [#] to confirm the code

- All lights flash for 2 seconds, indicating a wrong code has been entered
- If 5 or more wrong codes are entered consecutively, you won't be able to use the SlimStone-2 for a certain period due to safety reasons. The time out period is specified as follows :
2^[number of failed attempts] seconds.

For example : 6 failed attempts result in a time out period of 64 seconds (2⁶ seconds)

 *The time out period is reset when a correct code is entered, or if no new code was entered during 2 hours.*

8. MAINTENANCE

- Clean the housing and display using a soft cloth,

11. TROUBLESHOOTING

PROBLEM	SOLUTION
<ul style="list-style-type: none"> • All lights are flashing 	<ul style="list-style-type: none"> • When wrong codes have been entered repeatedly, the SlimStone-2 is blocked. See 7.2.
<ul style="list-style-type: none"> • The SlimStone-2 lighting is off after pushing a button 	<ul style="list-style-type: none"> • Verify the power supply connection
<ul style="list-style-type: none"> • The SlimStone-2 does not react after entering the code 	<ul style="list-style-type: none"> • Entering a code must always be confirmed with [#]
<ul style="list-style-type: none"> • The sequence light remains lit 	<ul style="list-style-type: none"> • Check if the cables of the override button are insulated • Possibly you set a time of 99 seconds
<ul style="list-style-type: none"> • The lights flash after entering the PIN code and confirmation by pressing [#] 	<ul style="list-style-type: none"> • The entered code does not match any of the registered codes. See 7.2

12. FREQUENTLY ASKED QUESTIONS

QUESTION	ANSWER
<ul style="list-style-type: none"> • Is the keypad heated? 	<ul style="list-style-type: none"> • Yes, SlimStone-2 has a regulated heating system which keeps the keys frost-free
<ul style="list-style-type: none"> • How weatherproof is the SlimStone-2? 	<ul style="list-style-type: none"> • SlimStone-2 is designed to comply with the IP68 standard
<ul style="list-style-type: none"> • Can I use the SlimStone-2 with sectional doors? 	<ul style="list-style-type: none"> • Yes, by setting the relay hold time to 0, a pulse is given with which sectional doors can be controlled



A discarded device can either be returned to your dealer or be sent back to Locinox. This product's recycling fee is € 0,2.



The WEE marking on the product indicates that it may not be thrown away together with normal household waste and must be handed over to a designated collection point for the recycling of electrical and electronic rejects.



As manufacturer of this product, we guarantee that we have taken all the necessary steps in order to comply with the current safety requirements for this product.

moistened with a neutral cleaning agent

- Never use fuel or chemicals on the device since they might harm the housing

9. GENERAL INFORMATION

- Please observe the local regulations on the deposit of packaging material and of appliances no longer in use
- Our packaging material is eco-friendly. It can be divided into 2 materials: cardboard (box) and expandable polyester (buffer).
- Your device is made of recyclable materials

10. WARRANTY

A 2 year warranty covers all electronics

Proficiat met de aankoop van uw SlimStone-2

1. PRODUCTOMSCHRIJVING

NL

SlimStone-2 is een robuust en weersbestendig codeklavier met geïntegreerde ledverlichting. Het codeklavier is uniek door zijn duurzaamheid. SlimStone-2 werd ontwikkeld en getest voor gebruik in de meest extreme weersomstandigheden, en staat daarom garant voor een permanente toegangscontrole in alle omstandigheden.

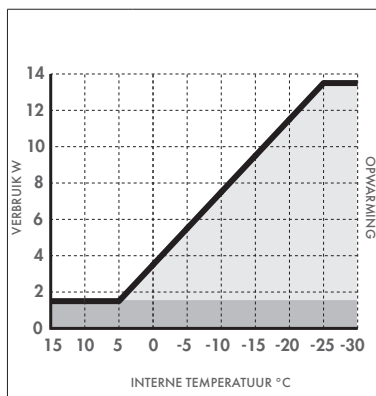
Dankzij de 2 ingebouwde relais, met 1 normaal open contact en 1 normaal gesloten contact, zijn de aansluiting op Locinox- en andere automatiseringsproducten én de programmering van SlimStone-2 zeer eenvoudig. Naast onze innovatieve Quick-Fix zijn alternatieve bevestigingsystemen voor hout en steen ook meegeleverd.

SlimStone-2 bestaat uit een aluminium gepoederlakte behuizing met een klavier en drukknoppen van geborstelde inox.

Maximaal 100 codes kunnen ingesteld worden.

2. TECHNISCHE FICHE

Werkings-temperatuur	-30°C tot 85°C
Voeding	10-26 V AC/DC
Relaiscontact	0-26 V AC/DC, 2A (60W)
Aantal relais aan boord	2
Kabellengte	2 m (6-1/2ft.)
IP-waarde	IP68
Ingangssignaal	twee voorrangcontacten
Verbruiks-temperatuur	1,5 W (> 5°C) +12 W bij maximale opwarming (< -25°C)

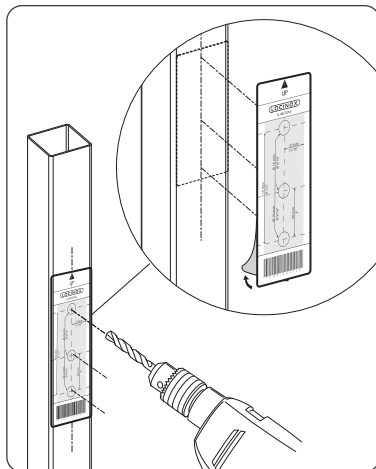


⚠ Onder de -20°C wordt een voedingsspanning van 24 V aangeraden.

3. MONTAGE

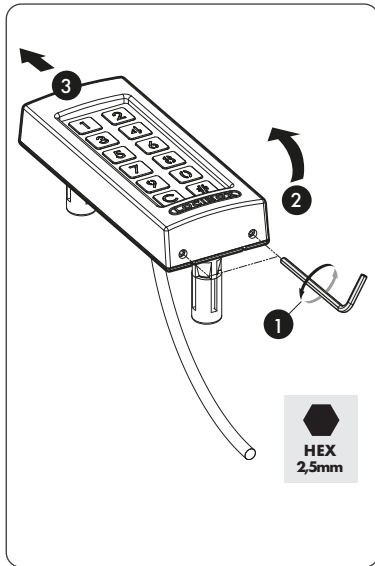
STAP 1

Kleef het sjabloon en boor in de muur of paal (zie pag. 5)



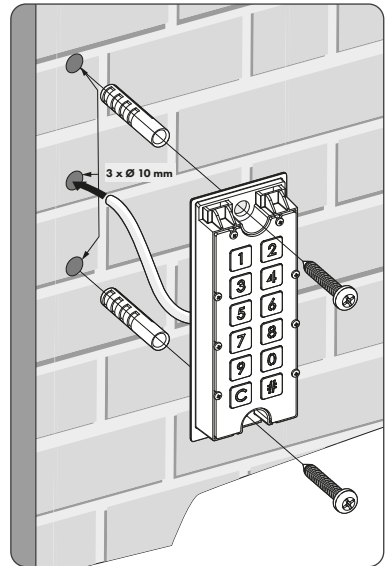
STAP 2

Verwijder de behuizing van uw SlimStone-2



STAP 3B

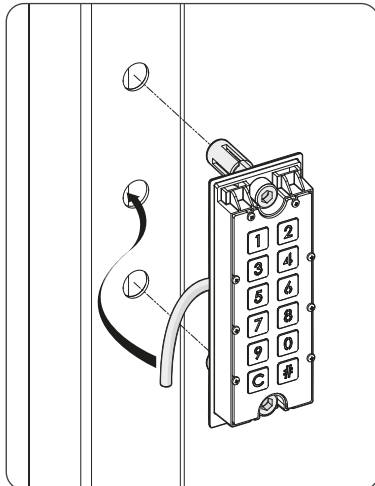
Plaats de kabel door het middelste gat in de muur



NL

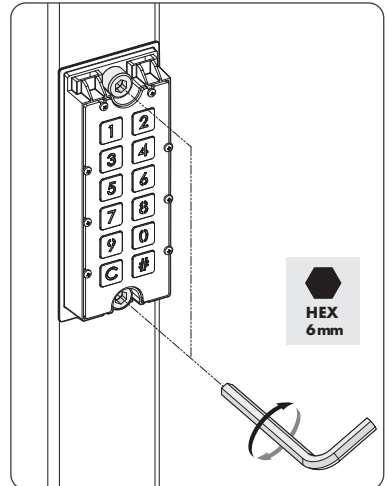
STAP 3A

Plaats de kabel door het middelste gat in de paal



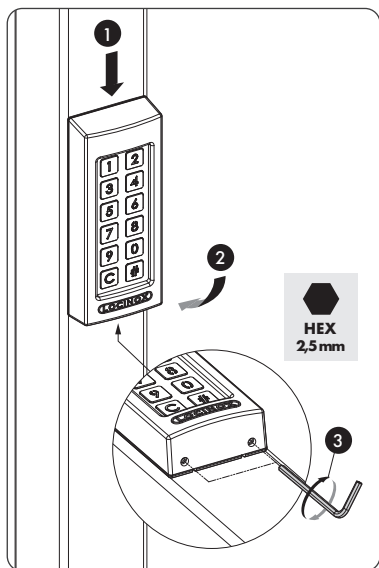
STAP 4

Positioneer SlimStone-2 en span beide Quick-Fix-bevestigingen aan



STAP 5

Plaats de behuizing terug en draai de 2 schroeven onderaan vast



NL

4. BEDRADING

SlimStone-2 is voorzien van een 10-aderige kabel van 2 meter lang.

Zie pag. 118 voor een gedetailleerd verbindingsschema.

Stroom

▶ AC1	▶ Blauw
▶ AC2	▶ Bruin

Relais

▶ Relais 1 COM	▶ Zwart
▶ Relais 1 NO	▶ Oranje
▶ Relais 1 NC	▶ Rood
▶ Relais 2 COM	▶ Zwart/Blauw
▶ Relais 2 NO	▶ Oranje/Blauw
▶ Relais 2 NC	▶ Rood/Blauw

Voorrangcontact

▶ Voorrangcontact 1	▶ Wit
▶ Voorrangcontact 2	▶ Wit/Blauw

⚠ Ongebruikte kabeluiteinden moeten afzonderlijk afgeschermd worden om een goede werking van het klavier te garanderen.

5. VOORRANGSCONTACT

- Een externe knop of signaalgever kan aangesloten worden en heeft voorrang op een pincode. Bijvoorbeeld een intercom, vrije uitgang, enz.
- Om het eerste relais te activeren, moet het NO-contact van de externe drukknop voor relais 1 worden aangesloten tussen J (voorrangcontact 1) en de OV-lijn (in geval van gelijkstroom), of een van de voedingskabels (in geval van AC)
- Om het tweede relais te activeren, moet het NO-contact van de externe drukknop voor relais 2 worden verbonden tussen I (voorrangcontact 2) en de OV-lijn (in geval van gelijkstroom), of één van de voedingskabels (in geval van AC)
- Raadpleeg het aansluitschema op pagina 118 voor meer info over de voorrangcontacten

⚠ **Opgelet:** dit moet een droog contact zijn met NO-werking.

- De corresponderende toets licht op en een lichtsequentie loopt van onder naar boven gedurende de tijd dat het relais wordt geactiveerd

6. PROGRAMMATIE

6.1 PROGRAMMATIEMODUS

- Druk gedurende 5 seconden op [#], [#] begint te knippen
- Voer Master PIN in (default: 12345) en druk op [#]. Indien correct, zal [#] blijven oplichten zolang de programmatiemodus geactiveerd is
- Als een foute Master PIN ingevoerd werd, wordt de programmatiemodus beëindigd, en start de pauzeprocedure zoals beschreven in 7.2


⚠ **Als enkel [#] oplicht, bevindt u zich in het hoofdmenu van de programmatiemodus.**

⚠ **Omwille van veiligheidsredenen raden wij u sterk aan de Master PIN bij het eerste gebruik te wijzigen.**

- Selecteer een van de volgende menu's en bevestig met [#]:

- [9] ▶ Master PIN instellen
- [1] ▶ pincodes beheren
- [3] ▶ contacttijd relais 1 instellen
- [4] ▶ contacttijd relais 2 instellen
- [5] ▶ verlichtingsmodus instellen
- [7] ▶ impuls herhaling
- [0] ▶ reset fabriekinstellingen


Zie de volgende paragraaf voor gedetailleerde informatie.

 De programmatiemodus eindigt automatisch indien er gedurende 60 seconden geen activiteit is.


- Nadat een menu gekozen is, is het mogelijk om terug te keren naar het hoofdmenu door op [C] te drukken.
- Druk gedurende 5 seconden op [C] om de programmatiemodus te verlaten

6.2 MASTER PIN INSTELLEN [9]

- Ga naar programmatiemodus (zie 6.1)
- Druk op [9] en bevestig met [#]
- [9] en [#] lichten op


 De standaard Master PIN is 12345. Deze code moet altijd uit 5 cijfers bestaan.

- Voer een nieuwe Master PIN (5 cijfers) in en druk op [#]. Herhaal deze stap
- Als beide ingevoerde codes overeenkomen, zullen alle LEDs kort oplichten en keert u terug naar het hoofdmenu van de programmeringsmodus.
- Omwille van veiligheidsredenen kan de Master PIN enkel ingevoerd worden om naar de programmatiemodus te gaan. Deze code kan niet gebruikt worden als toegangscode.

 Indien twee verschillende codes ingevoerd werden, of als te weinig of te veel cijfers ingegeven werden, zullen alle LEDs drie keer knipperen om aan te geven dat de code niet bewaard werd. Probeer opnieuw. [9] blijft oplichten.


6.3 PINCODES BEHEREN [1]


- Ga naar programmatiemodus (zie 6.1)

 U kan maximaal 100 verschillende pincodes programmeren (min. 4 en max. 8 cijfers).

- Druk op [1] en bevestig met [#]
- [1] en [#] lichten allebei op
- Voer een nieuwe pincode in en bevestig met [#]
- In het geval van een nieuwe code, moet de code herhaald worden en bevestigd worden met [#]
- [1] en [2] geven aan welke relais geselecteerd zijn voor deze code
- Door op [1] of [2] te drukken, kun je de bijhorende relais selecteren (permanent aan) of deselecteren (knippert)


- Druk op [#] om de keuze te bevestigen
- U keert terug naar het hoofdmenu van de programmatiemodus


 Indien twee verschillende codes ingevoerd werden, of als te weinig of te veel cijfers ingegeven werden, zullen alle toetsen drie keer knipperen om aan te geven dat de code niet bewaard werd. Probeer opnieuw. [1] blijft oplichten.


 Een code kan verwijderd worden door [1] en [2] te deselecteren vóór bevestiging

6.4 CONTACTTIJD RELAIS 1 INSTELLEN [3]

- Ga naar programmatiemodus (zie 6.1)
- Druk op [3] en bevestig met [#]
- [3] en [#] lichten allebei op
- Voer de tijd in (tussen 1 en 99 seconden) en bevestig met [#]
- Een geldige tijd wordt bevestigd met een korte oplichting van alle LEDs
- U keert terug naar het hoofdmenu


 Pulsmodus: als SlimStone-2 gebruikt wordt om geautomatiseerde systemen te bedienen, is een puls vereist. Deze modus kan geactiveerd worden door een tijd van 0 seconden in te stellen. De pulsduur is 1000 ms.

 Indien een ongeldige duur ingevoerd werd, knipperen alle toetsen drie keer. Menu [3] blijft geactiveerd.

 De standaardtijd is ingesteld op 8 seconden.

6.5 CONTACTTIJD RELAIS 2 INSTELLEN [4]

- Ga naar programmatiemodus (zie 6.1)
- Druk op [4] en bevestig met [#]
- [4] en [#] lichten allebei op
- Voer de tijd in (tussen 1 en 99 seconden) en bevestig met [#]
- Een geldige tijd wordt bevestigd met een korte oplichting van alle LEDs
- U keert terug naar het hoofdmenu

 Pulsmodus: als SlimStone-2 gebruikt wordt om geautomatiseerde systemen te bedienen, is een puls vereist. Deze modus kan geactiveerd worden door een tijd van 0 seconden in te stellen. De pulsduur is 1000 ms.

⚠ Indien een ongeldige duur ingevoerd werd, knipperen alle toetsen drie keer. Menu [4] blijft geactiveerd.

✎ De standaardtijd staat ingesteld op 8 seconden.

NL

6.6 VERLICHTINGSMODUS INSTELLEN [5]

- Ga naar programmatiemodus (zie 6.1)
- Druk op [5] en bevestig met [#]
- [5] en [#] lichten allebei op
- Kies de verlichtingsmodus:
 - [1] Altijd aan.
 - [2] Auto-dim (standaard):
De helderheid van de verlichting wordt gedimd tot 20% na 45 seconden inactiviteit. Zodra een toets ingedrukt wordt, gaat de verlichting weer volledig aan voor een minimumduur van 45 seconden.
 - [3] Auto-off:
De verlichting wordt na 45 seconden inactiviteit gedoofd. Zodra een toets ingedrukt wordt, gaat de verlichting weer aan voor een minimumduur van 45 seconden.
- Druk op [1], [2] of [3] en bevestig met [#].
Als alle LEDs kort oplichten, betekent het dat uw keuze bewaard werd.
- U keert terug naar het hoofdmenu

⚠ Indien een ongeldig nummer ingevoerd wordt, knipperen alle toetsen drie keer. Begin opnieuw. Menu [5] blijft geactiveerd.

6.7 PULSHERHALING [7]

Als een of beide relais op pulsmodus ingesteld zijn, kunnen extra pulsen gegeven worden door op [#] te drukken zonder dat u de pincode opnieuw hoeft in te voeren. Met dit menu kunt u de tijd waarbinnen pulsherhaling is toegestaan instellen.

- Ga naar programmatiemodus (zie 6.1)
- Druk op [7] en bevestig met [#]
- [7] en [#] lichten allebei op
- Voer de tijd in waarbinnen pulsherhaling is toegestaan (in seconden, tussen 0-99), en druk op [#] (0s schakelt pulsherhaling uit)
- Een geldige tijd wordt bevestigd met een korte oplichting van alle LEDs

⚠ Indien een ongeldige duur ingevoerd werd, knipperen alle toetsen drie keer. Menu [7] blijft geactiveerd.

✎ Standaard is de waarde ingesteld op 'geen impulsherhaling'.

6.8 VERWARMING KLAVIER [8]

- Ga naar programmatiemodus (zie 6.1)
- Druk op [8] en bevestig met [#]
- [8] en [#] lichten allebei op
- Kies de verwarmingsmodus voor het klavier:
 - [1] Op volledige sterkte (standaard): de verwarming van het codeklavier kan tot 12W verbruiken.
 - [2] Op halve sterkte: de verwarming van het codeklavier is gelimiteerd tot maximum 6W.
 - [3] Geen verwarming: de verwarming van het codeklavier is uitgeschakeld.
- Druk op [1], [2] of [3] en bevestig met [#]. Als alle LEDs kort oplichten, betekent het dat uw keuze bewaard werd.
- U keert terug naar het hoofdmenu

✎ Indien een ongeldig nummer ingevoerd wordt, knipperen alle toetsen drie keer. Begin opnieuw. Menu [8] blijft geactiveerd

6.9 RESET FABRIEKINSTELLINGEN [0]

- Ga naar programmatiemodus (zie 6.1)
- Druk op [0] en bevestig met [#]
- [0] knippert snel om aan te geven dat een onomkeerbare handeling uitgevoerd kan worden
- Voer de Master PIN (standaard: 12345) in en bevestig door 2 seconden lang op [#] te drukken binnen de 20 seconden

✎ Als alle LEDs oplichten, is de reset naar fabriek-instellingen voltooid. Alle instellingen zijn terug op de standaardwaarden ingesteld, behalve de Master PIN.

6.10 RESET NAAR FABRIEKINSTELLINGEN BIJ VERLIES VAN MASTER PIN

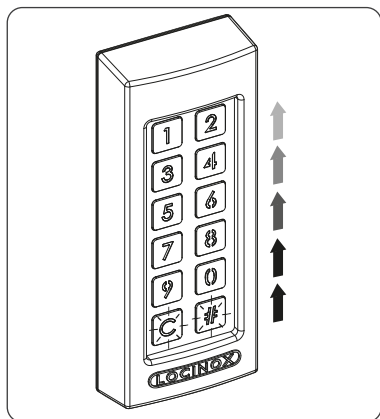
Voer een reset naar fabriekinstellingen uit zonder Master PIN:

- Schakel de stroom uit en terug aan, voer de Master PIN 12345 in en bevestig binnen de 20 seconden door 2 seconden op [#] te drukken. De reset naar fabriekinstellingen is voltooid.
- Bij een reset naar fabriekinstellingen zoals hierboven beschreven, wordt de Master PIN terug ingesteld naar 12345.

7. WERKING VAN DE SLIMSTONE-2

7.1 CORRECTE CODE

- Voer een persoonlijke code in (min. 4 en max. 8 cijfers)
- Druk op [#] om de code te bevestigen
- Als de code alleen geldig is voor 1 relais, wordt het relais onmiddellijk geactiveerd
- Als de code geldig is voor relais 1 en 2, knipperen toetsen [1] en [2]. Door op [1] en/of [2] te drukken, activeert u relais 1 en/of relais 2.
- De bijhorende toets licht op en een lichtsequentie loopt van onder naar boven gedurende de tijd dat het relais bekrachtigd wordt (standaarttijd = 8 seconden)



- Indien de lichtsequentie stopt, is het bekrachtigen van het relais ook gestopt en is het codeklavier weer klaar voor een nieuwe ingave

7.2 FOUTE CODE

- Voer een foute code in

- Druk op [#] om de code te bevestigen
- Alle lichten knipperen gedurende 2 seconden om aan te tonen dat een foute code ingegeven werd
- Indien 5 of meer keer na elkaar een foute code ingevoerd wordt, zal u de SlimStone-2 omwille van veiligheidsredenen even niet meer kunnen gebruiken. De pauzetijd wordt als volgt berekend: $2^{(\text{aantal mislukte pogingen})}$ seconden.

Bijvoorbeeld: 6 mislukte pogingen => pauzetijd van 64 seconden (2^6 seconden).

De pauzetijd wordt opnieuw ingesteld wanneer een juiste code ingegeven wordt, of indien twee uur lang geen nieuwe code ingevoerd werd.

8. ONDERHOUD

- Reinig de behuizing en het scherm met behulp van een zacht doekje bevochtigd met een neutraal schoonmaakmiddel
- Gebruik nooit brandstof of een ander chemisch middel op het product omdat die de behuizing kan aantasten

9. ALGEMENE INFORMATIE

- Gelieve rekening te houden met de plaatselijke reglementen inzake het afvoeren van verpakkingsmateriaal en van producten die niet meer gebruikt worden.
- Ons verpakkingsmateriaal is milieuvriendelijk. Het kan opgesplitst worden in 2 materialen: karton (doos) en rekbaar polyester (buffers).
- Het door u gekochte product is gemaakt van recycleerbare materialen

10. GARANTIE

De garantie van 2 jaar dekt alle elektronische onderdelen van het product.

NL

11. PROBLEEMOPLOSSING

PROBLEEM	OPLOSSING
<ul style="list-style-type: none">• Alle lichten knipperen	<ul style="list-style-type: none">• Als herhaaldelijk een foute code ingegeven wordt, wordt SlimStone-2 geblokkeerd. Zie 7.2.
<ul style="list-style-type: none">• De SlimStone-2-verlichting is uit na het indrukken van een knop	<ul style="list-style-type: none">• Controleer de stroomaansluiting
<ul style="list-style-type: none">• SlimStone-2 reageert niet na het invoeren van de code	<ul style="list-style-type: none">• Het invoeren van een code moet altijd bevestigd worden met [#]
<ul style="list-style-type: none">• Het looplicht blijft actief	<ul style="list-style-type: none">• Controleer of de kabels van de voorrangcontact afgeschermd zijn• Mogelijks werd een activatieduur van 99 seconden ingesteld
<ul style="list-style-type: none">• De toetsen knipperen na het invoeren van de pincode en het bevestigen door een druk op [#]	<ul style="list-style-type: none">• De ingevoerde code komt niet overeen met een van de geregistreerde codes. Zie 7.2

NL

12. VEELGESTELDE VRAGEN

VRAAG	ANTWOORD
<ul style="list-style-type: none">• Is het klavier verwarmd?	<ul style="list-style-type: none">• Ja, SlimStone-2 heeft een gereguleerd verwarmingssysteem dat de toetsen vorstvrij houdt
<ul style="list-style-type: none">• Hoe weersbestendig is SlimStone-2?	<ul style="list-style-type: none">• SlimStone-2 werd ontworpen om te voldoen aan de norm IP68
<ul style="list-style-type: none">• Kan ik SlimStone-2 gebruiken bij sectionaalpoorten?	<ul style="list-style-type: none">• Ja, door de contacttijd van het relais op 0 in te stellen, wordt een puls gegeven waarmee de sectionaalpoort bediend kan worden



Een afgedankt product kan ofwel teruggebracht worden naar uw verdeler, of teruggestuurd worden naar Locinox. De recyclagebijdrage van dit product is 0,2 €.



De WEEE-markering op het product duidt aan dat het niet met het gewone huishoudelijk afval weggegooid mag worden, en dat het product naar een specifiek inzamelpunt voor recyclage van elektrische en elektronische afgedankte producten gebracht moet worden.



Als producent van dit product kunnen we u garanderen dat we alle nodige stappen ondernomen hebben om te voldoen aan de geldige veiligheidsvereisten van dit product.

Félicitations avec l'achat de votre SlimStone-2

1. DESCRIPTION DU PRODUIT

Le SlimStone-2 est un clavier à codes robuste et résistant aux intempéries, équipé de lumières LED. Le clavier à codes est unique par sa durabilité. Le SlimStone-2 a été développé et testé pour être utilisé dans des conditions météorologiques les plus extrêmes et garantit ainsi un contrôle d'accès permanent en toutes circonstances.

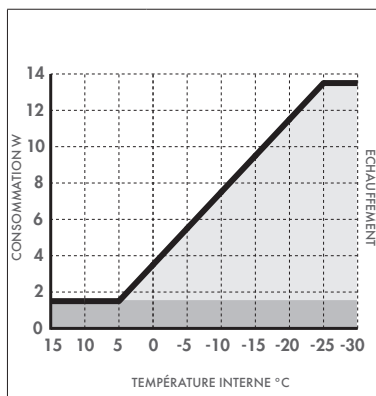
Grâce aux 2 relais intégrés, avec 1 contact normalement ouvert et 1 contact normalement fermé, la connexion aux produits Locinox et à d'autres produits d'automatisation que la programmation du SlimStone-2 est très simple. Il est doté de fixations innovantes Quick-Fix, d'autres systèmes de fixation pour bois et béton sont également disponibles.

Le SlimStone-2 est conçu avec une boîtier en aluminium thermolaqué structuré et avec un clavier comprenant des touches en inox brossé.

Vous pouvez programmer jusqu'à 100 codes.

2. SPÉCIFICATIONS TECHNIQUES

Température de fonctionnement	-30°C jusqu'à 85°C
Alimentation électrique	10-26 V CC/CA
Commutation	0-26 V CC/CA, 2 A (60 W)
Nombre de relais intégré	2
Longueur du câble	2 m
Valeur IP	IP68
Signal d'entrée	2 contacts prioritaires
Température d'utilisation	1,5 W (> 5°C) + 12 W à chauffage max. (< 25°C)

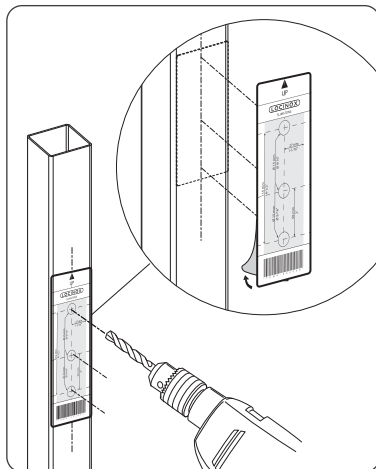


⚠ En dessous de -20°C, une alimentation de 24 V est conseillée.

3. MONTAGE

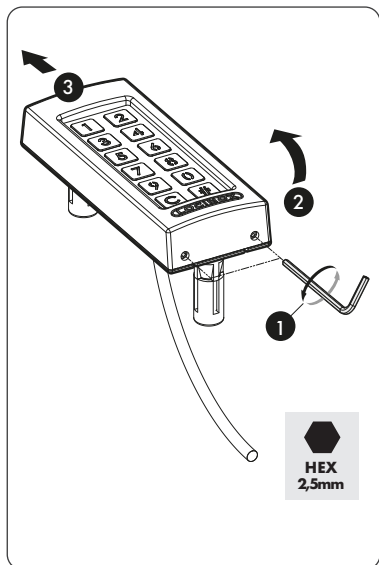
ÉTAPE 1

Collez le gabarit et percez le mur ou le poteau (voir page 5)



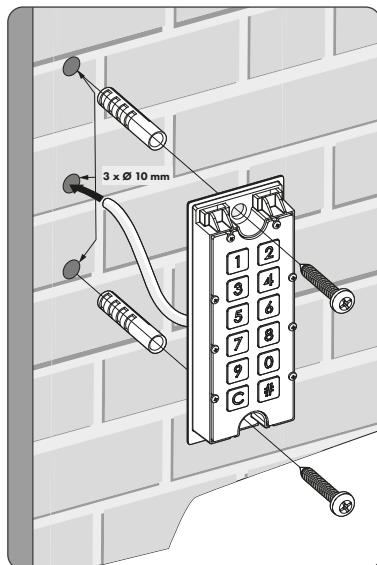
ÉTAPE 2

Enlevez le boîtier du SlimStone-2



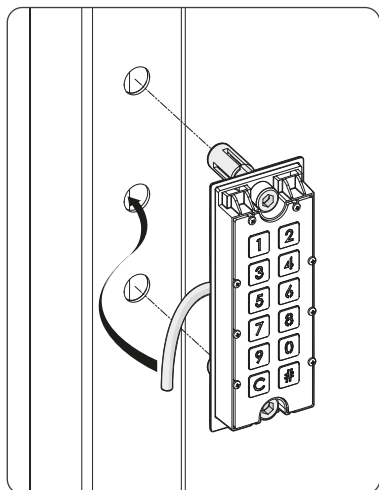
ÉTAPE 3B

Passez le câble dans le mur par le trou central



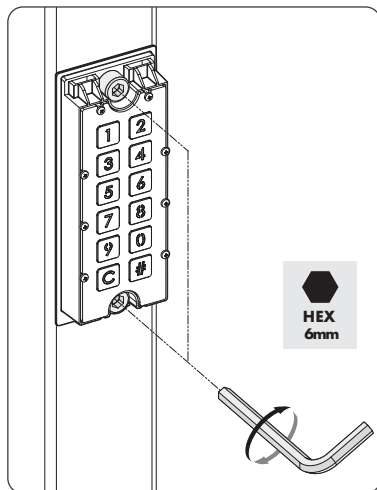
ÉTAPE 3A

Passez le câble dans le poteau par le trou central



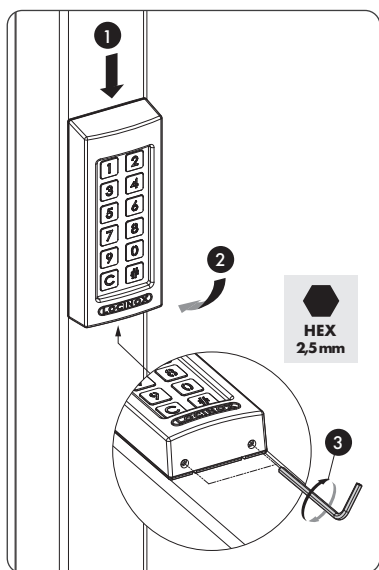
ÉTAPE 4

Montez le SlimStone-2 et serrez les deux fixations Quick-Fix



ÉTAPE 5

Installez le boîtier du SlimStone-2 et serrez les 2 vis en bas



4. CÂBLAGE

Le SlimStone-2 est équipé d'un câble de 2m de long comprenant 10 conducteurs.

Consultez page 118 pour le schéma détaillé des connexions.

Courant

- | | |
|-------|--------|
| ▶ AC1 | ▶ Bleu |
| ▶ AC2 | ▶ Brun |

Relais

- | | |
|----------------|---------------|
| ▶ Relais 1 COM | ▶ Noir |
| ▶ Relais 1 NO | ▶ Orange |
| ▶ Relais 1 NC | ▶ Rouge |
| ▶ Relais 2 COM | ▶ Noir/Bleu |
| ▶ Relais 2 NO | ▶ Orange/Bleu |
| ▶ Relais 2 NC | ▶ Rouge/Bleu |

Bouton override

- | | |
|--------------|--------------|
| ▶ Override 1 | ▶ Blanc |
| ▶ Override 2 | ▶ Blanc/Bleu |

⚠ Afin d'assurer le fonctionnement correct du clavier, les extrémités des câbles inutilisés doivent être protégées séparément.

5. CONTACT PRIORITAIRE

- Un bouton externe ou un émetteur de signal peut être connecté et être prioritaire par rapport au SlimStone-2. Par ex. un interphone, une sortie libre, etc
- Pour outrepasser le premier relais, le contact NO du bouton externe pour le relais 1 doit être connecté entre J (override 1) et la ligne OV (en cas de CC) ou une des lignes d'alimentation (en cas de CA)
- Pour outrepasser le second relais, le contact NO du bouton externe pour le relais 2 doit être connecté entre I (override 2) et la ligne OV (en cas de CC) ou une des lignes d'alimentation (en cas de CA)
- Pour plus d'informations sur les contacts prioritaires, consultez le schéma des connexions à la page 118

⚠ Attention: il doit s'agir d'un contact sec avec fonctionnement NO.

- La touche correspondante s'allume et une séquence lumineuse défile du bas en haut pendant la durée d'activation du relais

6. PROGRAMMATION

6.1 ACCÈS AU MODE DE PROGRAMMATION

- Appuyez sur [#] pendant 5 secondes, [#] se met à clignoter
- Entrez le Master PIN et appuyez la touche [#]. Le code Master PIN par défaut est 12345. Si le code est correct, la touche [#] reste allumée tant que le mode de programmation est activé.
- Si un Master PIN erroné a été entré, le mode de programmation est terminé et la procédure d'attente telle que décrite au point 7.2 démarre


⚠ Si seule la touche [#] est allumée, vous êtes dans le menu principal du mode de programmation.

⚠ Pour des raisons de sécurité, nous vous recommandons vivement de modifier le Master PIN lors de la mise en service.

- Sélectionnez un numéro du menu et confirmez en appuyant la touche [#]. Les menus suivants sont disponibles:

- [9] ▶ programmer le Master PIN
- [1] ▶ gérer le code PIN
- [3] ▶ programmer le temps de maintien de relais 1
- [4] ▶ programmer le temps de maintien de relais 2
- [5] ▶ programmer le mode d'éclairage
- [7] ▶ réglage de la répétition par impuls
- [0] ▶ réinitialisation d'usine


Voir le paragraphe suivant pour des informations détaillées.

 **Le mode de programmation est quitté automatiquement après 60 secondes d'inactivité.**


- Après avoir sélectionné un menu, il est possible de revenir au menu principal en appuyant sur la touche [C]
- Appuyez la touche [C] pendant 5 secondes pour quitter le mode de programmation

6.2 PROGRAMMER LE MASTER PIN [9]

- Passez au mode de programmation (voir 6.1)
- Appuyez la touche [9] et confirmez par la touche [#]
- Les touches [9] et [#] sont allumées

 **Le code Master PIN par défaut est 12345. Ce code doit toujours comporter 5 chiffres.**

- Entrez un nouveau code Master PIN composé de 5 chiffres et enfoncez la touche [#]. Répétez cette étape.
- Si les deux codes entrés correspondent, toutes les LED s'allument brièvement et vous retournez au menu principal du mode de programmation
- Pour des raisons de sécurité, le Master PIN ne peut être entré pour passer au mode de programmation. Ce code ne peut pas être utilisé comme code d'accès.


 **Si deux codes différents sont entrés, ou si trop ou trop peu de chiffres sont entrés, les LED clignotent trois fois pour indiquer que le code n'a pas été sauvé. Réessayez. La touche [9] reste allumée.**


6.3 GÉRER LE CODE PIN [1]

- Passez au mode de programmation (voir 6.1)

 **Vous pouvez programmer 100 codes PIN différents (de 4 chiffres jusqu'à 8 chiffres max.)**


- Appuyez le numéro [1] et confirmez par la touche [#]
- Les touches [1] et [#] sont allumées
- Entrez un nouveau code PIN et confirmez par la touche [#]
- Dans le cas d'un nouveau code, ce code devra être répété et confirmé avec [#]
- Les touches [1] et [2] indiquent quels relais sont sélectionnés pour être commandés par ce code
- Appuyez [1] ou [2] pour sélectionner (allumage en continu) ou supprimer (clignotant) le relais correspondant
- Confirmez la sélection en appuyant sur la touche [#]
- Vous retournez au menu principal du mode de programmation


 **Si deux codes différents sont entrés, ou si trop ou trop peu de chiffres sont entrés, toutes les touches clignotent trois fois pour indiquer que le code n'a pas été sauvé. Réessayez. La touche [1] reste allumée.**


 **Un code peut être supprimé en supprimant [1] et [2] avant la confirmation.**

6.4 PROGRAMMER LE TEMPS DE MAINTIEN DE RELAIS 1 [3]

- Passez au mode de programmation (voir 6.1)
- Appuyez le numéro [3] et confirmez par la touche [#]
- Les touches [3] et [#] sont allumées
- Entrez le temps (entre 1 et 99 secondes) et confirmez par la touche [#]
- Un temps correct est confirmé par un brève éclairage de toutes les LED
- Vous retournez au menu principal

 **Mode d'impulsion: si le SlimStone-2 est utilisé pour commander des systèmes automatisés, une impulsion est requise. Ce mode peut être activé en programmant un temps de 0 secondes. La durée d'impulsion est de 1000 ms.**

 **Si un temps incorrect est entré, toutes les touches clignotent trois fois. Le menu [3] reste activé.**

 **Le temps par défaut est programmé à 8 sec-**

6.5 PROGRAMMER LE TEMPS DE MAINTIEN DE RELAIS 1 [4]

- Passez au mode de programmation (voir 6.1)
- Appuyez le numéro [4] et confirmez par la touche [#]
- Les touches [4] et [#] sont allumées
- Entrez le temps (entre 1 et 99 secondes) et confirmez par la touche [#]
- Un temps correct est confirmé par un brève éclairage de toutes les LED
- Vous retournez au menu principal.

⚠ Mode d'impulsion: si le SlimStone-2 est utilisé pour commander des systèmes automatisés, une impulsion est requise. Ce mode peut être activé en programmant un temps de 0 secondes. La durée d'impulsion est de 1000 ms.

⚠ Si un temps incorrect est entré, toutes les touches clignotent trois fois. Le menu [4] reste activé.

✎ Le temps par défaut est programmé à 8 secondes.

6.6 PROGRAMMER LE MODE D'ÉCLAIRAGE [5]

- Passez au mode de programmation (voir 6.1)
- Appuyez le numéro [5] et confirmez par la touche [#]
- Les touches [5] et [#] sont allumées
- Choisissez le mode d'éclairage:
 - [1] Toujours activé
 - [2] Auto-dim (par défaut):
La luminosité des touches est réduite après 45 secondes d'inactivité. Dès que l'on appuie une touche, les touches reviennent à une luminosité maximale pendant 45 secondes.
 - [3] Auto-off:
L'éclairage est désactivé après 45 secondes d'inactivité. Dès qu'une touche est enfoncée, l'éclairage s'allume pour une durée minimum de 45 secondes.
- Appuyez les numéros [1], [2] ou [3] et confirmez par la touche [#]. Si toutes les LED clignotent, votre choix a été sauvegardé.
- Vous retournez au menu principal

⚠ Si un temps incorrect est entré, toutes les touches clignotent trois fois. Le menu [5] reste activé.

6.7 RÉGLAGE DE LA RÉPÉTITION PAR IMPULSIONS [7]

Si l'un et/ou l'autre des relais sont réglés en mode par impulsions, des impulsions supplémentaires peuvent être fournies en appuyant sur [#] sans devoir saisir à nouveau le code PIN. Ce menu permet de régler la durée de ce délai de répétition par impulsions.

- Passez au mode de programmation (voir 6.1)
- Appuyez sur [7] et confirmez avec [#]
- Les touches [7] et [#] sont allumées
- Saisissez le délai durant lequel la répétition par impulsions est autorisée (en secondes, entre 0 et 99), et appuyez sur [#] (0s désactive la répétition par impulsions).
- Si vous avez saisi un code valable, toutes les touches s'allument et vous revenez au menu principal

⚠ En cas de saisie incorrecte, toutes les touches clignotent trois fois. Le menu [7] reste activé.

✎ Par défaut, la valeur est réglée sur aucune répétition par impulsions.

6.8 CHAUFFAGE DU CLAVIER À CODES [8]

- Passez au mode de programmation (voir 6.1)
- Appuyez le numéro [8] et confirmez par la touche [#]
- Les touches [8] et [#] sont allumées
- Sélectionnez le mode de chauffage pour le clavier à codes:
 - [1] Pleine puissance (standard): le chauffage du clavier à codes peut consommer jusqu'à 12W.
 - [2] Puissance moyenne: le chauffage du clavier à codes est limité à 6W maximum.
 - [3] Pas de chauffage: le chauffage du clavier à codes est désactivé.
- Appuyez les numéros [1], [2] ou [3] et confirmez par la touche [#]. Si toutes les LED clignotent, votre choix a été sauvegardé.
- Vous retournez au menu principal du mode de programmation

⚠ Si un temps incorrect est entré, toutes les touches clignotent trois fois. Le menu [8] reste activé.

6.9 RÉINITIALISATION D'USINE [0]

- Passez au mode de programmation (voir 6.1)

- Enfoncez le numéro [0] et confirmez par la touche [#]
- [0] clignote rapidement pour indiquer qu'une action irréversible peut être effectuée
- Entrez le Master PIN et confirmez en appuyant la touche [#] pendant 2 secondes
- Si toutes les LED clignent, la réinitialisation d'usine est terminée. Tous les paramètres sont réinitialisés à leurs valeurs par défaut, à l'exception du Master PIN.

6.10 RÉINITIALISATION D'USINE EN CAS DE PERTE DU MASTER PIN

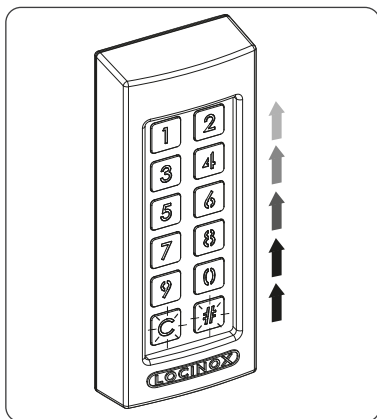
Effectuez une réinitialisation d'usine sans Master PIN:

- Coupez et rallumez l'alimentation, entrez le Master PIN 12345 et appuyez la touche [#] pendant 2 secondes en décaissant les 20 secondes. La réinitialisation d'usine est terminée.
- Lors d'une réinitialisation d'usine telle que décrite ci-dessus, le Master PIN est réinitialisé à 12345.

7. FONCTIONNEMENT DU SLIMSTONE-2

7.1 CODE CORRECT

- Entrez un code personnel (4 chiffres min. et 8 chiffres max.)
- Appuyez la touche [#] pour confirmer le code
- Si le code n'est valable que pour un relais, ce relais sera activé immédiatement
- Si le code est valable pour les relais 1 et 2, les touches [1] et [2] clignent. Une pression sur [1] et/ou [2] active le relais 1 et/ou le relais 2.
- La touche correspondante s'allume et une séquence lumineuse défile du bas en haut pendant la durée d'activation du relais (par défaut : 8 secondes)




- Quand la séquence est terminée, le relais n'est plus alimenté et le clavier à codes est prêt pour une nouvelle entrée

7.2 CODE FAUTIF

- Entrez un code fautif
- Appuyez la touche [#] pour confirmer le code
- Toutes les lumières clignent pendant 2 sec. pour signaler l'entrée d'un code fautif
- Après 5 tentatives fautive ou plus, vous ne pourrez plus utiliser le SlimStone-2 pour des raisons de sécurité. Le temps d'attente est calculé comme suit : $2^{\text{(nombre de tentatives fautive)}}$ secondes.

Par ex. : 6 tentatives fautive => temps d'attente de 64 secondes (2⁶ secondes).

 Le temps d'attente est remis à 0 lorsqu'un code correct est entré, ou après 2 heures sans entrée de code.

8. ENTRETIEN

- Nettoyez le boîtier et clavier à l'aide d'un chiffon doux, humidifié avec un nettoyant neutre
- N'utilisez jamais de solvant ou un autre produit chimique qui pourraient endommager le boîtier

9. INFORMATIONS GÉNÉRALES

- Veuillez faire attention aux prescriptions locales relatives au dépôt de matériaux d'emballage et d'appareils inutilisés
- Nos emballages sont écologiques. Ils sont facilement séparables en 2 matériaux : du carton (boîte) et du polyester extensible (tampon).
- Le produit que vous avez acheté est fabriqué à partir de matériaux recyclables

10. GARANTIE

Une garantie de 2 ans est offerte sur tout l'électronique.

11. AIDE AU DÉPANNAGE

PROBLÈME	SOLUTION
<ul style="list-style-type: none">Toutes les lumières clignotent	<ul style="list-style-type: none">Après l'entrée répétée d'un code erroné, le SlimStone-2 est bloqué. Voir 7.2
<ul style="list-style-type: none">L'éclairage du SlimStone-2 est désactivé après avoir appuyé un bouton	<ul style="list-style-type: none">Contrôlez la connexion de l'alimentation électrique
<ul style="list-style-type: none">Le SlimStone-2 ne réagit pas après avoir entré le code	<ul style="list-style-type: none">L'entrée d'un code doit toujours être confirmée par la touche [#]
<ul style="list-style-type: none">La séquence est toujours allumée	<ul style="list-style-type: none">Vérifiez si les câbles du bouton override sont protégésIl se peut qu'un temps de 99 secondes ait été programmé
<ul style="list-style-type: none">Les lumières clignotent après l'entrée du code PIN et la confirmation avec la touche [#]	<ul style="list-style-type: none">Le code introduit ne correspond pas à l'un des codes enregistrés. Voir 7.2

FR

12. QUESTIONS SOUVENT POSÉES

QUESTION	RÉPONSE
<ul style="list-style-type: none">Le clavier à codes, est-il chauffé ?	<ul style="list-style-type: none">Oui, le SlimStone-2 est doté d'un chauffage régulé qui protège les touches du gel
<ul style="list-style-type: none">Dans quelle mesure le SlimStone-2 résiste-t-il aux intempéries ?	<ul style="list-style-type: none">Le SlimStone-2 a été conçu pour répondre à la norme IP68
<ul style="list-style-type: none">Puis-je utiliser le SlimStone-2 en combinaison avec des portes sectionnelles ?	<ul style="list-style-type: none">Oui, en programmant le temps de maintien du relais à 0, une impulsion est donnée par laquelle une porte sectionnelle peut être commandée



Un appareil mis au rebut peut être retourné au revendeur ou renvoyé à Locinox. La contribution de recyclage du produit s'élève à € 0,2.



"Le marquage WEE sur le produit indique qu'il ne peut pas être jeté avec d'autres déchets ménagers et qu'il doit être déposé dans un point de collecte destiné au recyclage de déchets électriques et électroniques."



"En tant que fabricant du produit, nous vous assurons que nous avons pris toutes les mesures nécessaires pour que le produit soit conforme aux normes de sécurité en vigueur pour ce produit."

Herzlichen Glückwunsch zum Kauf Ihrer SlimStone-2

1. PRODUKTBESCHREIBUNG

Die Codetastatur ist hinsichtlich Ihrer Haltbarkeit einzigartig. SlimStone-2 wurde für die extremsten Wetterverhältnisse entwickelt und ausführlich getestet und garantiert unter allen Bedingungen eine stabile Zugangskontrolle.

DE

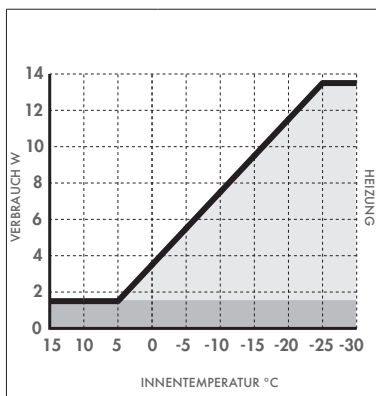
Dank des 2 eingebauten Relais mit einem normal-offenen und einem normal-geschlossenen Kontakt, sind sowohl die Koppelung mit Locinox und anderen Automatisierungsprodukten als auch die Programmierung der SlimStone-2 sehr einfach auszuführen. Ausgestattet mit unserem innovativen Quick-Fix-System stehen zusätzlich auch alternative Befestigungssysteme für Holz und Stein zur Verfügung.

Die SlimStone-2 besteht aus einem pulverbeschichteten Aluminium-Gehäuse mit einer Codetastatur und Druckknöpfen aus gebürstetem rostfreiem Stahl.

Es können bis zu 100 Codes programmiert werden.

2. TECHNISCHE SPEZIFIKATIONEN

Betriebs-temperatur	-30°C bis 85°C
Stromversorgung	10-26 V AC/DC
Schaltkontakt	0-26 V AC/DC, 2A (60W)
Anzahl Onboard-Relais	2
Kabellänge	2m
IP-Wert	IP68
Eingangssignal	Zwei vorrangige Kontakte
Verbrauchs-temperatur	1,5W (> 5°C) + 12W bei maximaler Beheizung (< -25°C)

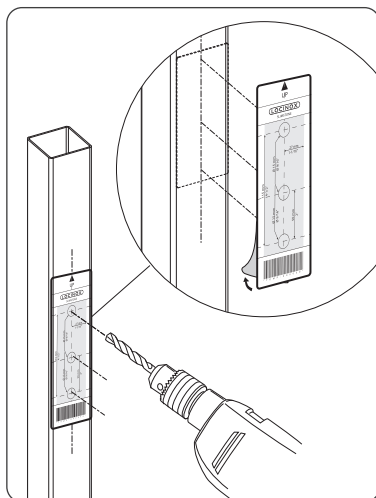


⚠ Unter -20 °C wird ein 24-V-Netzteil empfohlen.

3. MONTAGE

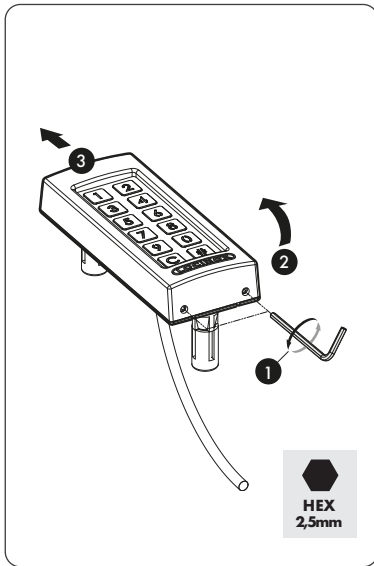
SCHRITT 1

Kleben Sie die Schablone fest und bohren Sie in die Wand oder den Pfosten (siehe S.5)



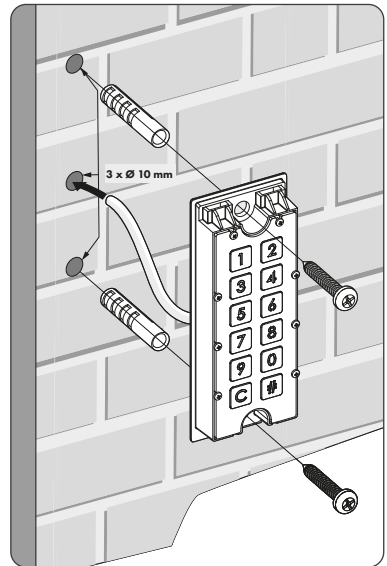
SCHRITT 2

Entfernen Sie das SlimStone-2-Cover



SCHRITT 3B

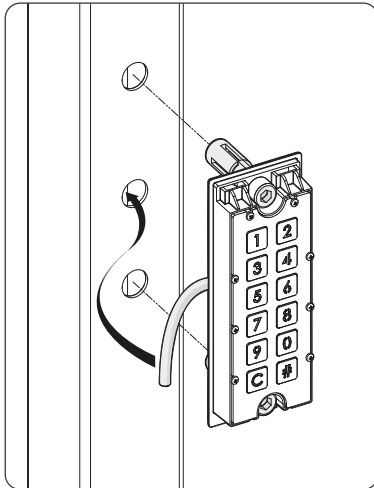
Führen Sie das Kabel durch das mittlere Loch in der Wand



DE

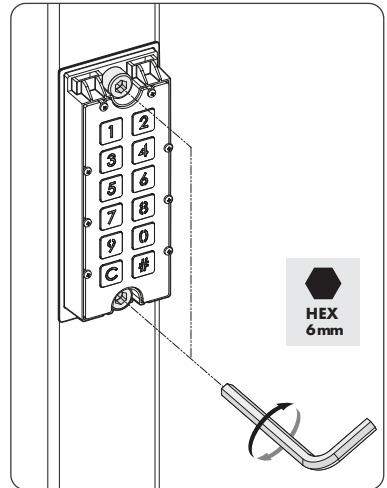
SCHRITT 3A

Führen Sie das Kabel durch das mittlere Loch im Pfosten



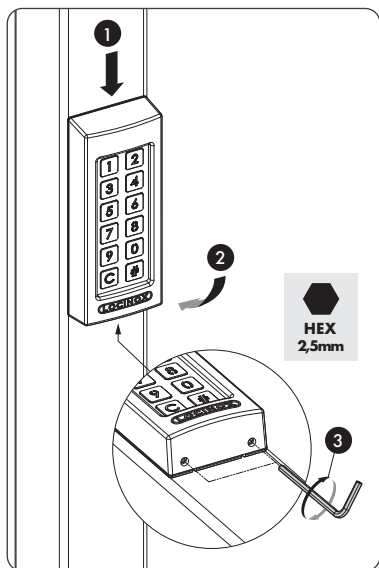
SCHRITT 4

Positionieren Sie die SlimStone-2 und ziehen Sie die beiden Quick-Fix fest an



SCHRITT 5

Positionieren Sie das SlimStone-2-Cover und drehen Sie die 2 Schrauben unten fest



DE

4. VERKABELUNG

Die SlimStone-2 ist mit einem 10-adrigen Ausgangskabel mit einer Länge von 2 Metern ausgestattet.

Siehe S. 118 für ein detailliertes Verbindungsschema.

Stromversorgung

- | | |
|-------|---------|
| ▶ AC1 | ▶ Blau |
| ▶ AC2 | ▶ Braun |

Relais

- | | |
|----------------|----------------|
| ▶ Relais 1 COM | ▶ Schwarz |
| ▶ Relais 1 NO | ▶ Orange |
| ▶ Relais 1 NC | ▶ Rot |
| ▶ Relais 2 COM | ▶ Schwarz/Blau |
| ▶ Relais 2 NO | ▶ Orange/Blau |
| ▶ Relais 2 NC | ▶ Rot/Blau |

Überbrückungsknopf

- | | |
|--------------|-------------|
| ▶ Override 1 | ▶ Weiß |
| ▶ Override 2 | ▶ Weiß/Blau |

⚠ Um eine korrekte Funktionsweise der Tastatur garantieren zu können, müssen die nicht verwendeten Kabelenden getrennt abgedeckt werden.

5. VORRANGKONTAKT

- Ein externer Druckknopf oder Auslöser kann angeschlossen werden, um die SlimStone-2 mit Vorrang zu steuern, z.B. ein Intercom, Free Exit, oder ähnlich
- Um das erste Relais zu übersteuern, muss der Schließkontakt (NO) des externen Drucktasters für Relais 1 zwischen J (Override 1) und der 0-V-Leitung (im Fall von DC) bzw. einer der Stromleitungen (im Fall von AC) angeschlossen werden
- Um das zweite Relais zu übersteuern, muss der Schließkontakt (NO) des externen Drucktasters für Relais 2 zwischen I (Override 2) und der 0-V-Leitung (im Fall von DC) bzw. einer der Stromleitungen (im Fall von AC) angeschlossen werden
- Weitere Informationen zu den vorrangigen Kontakten finden Sie im Anschlussplan auf Seite 118

⚠ Achtung! Dies muss ein spannungsfreier Kontakt mit NO-Funktion sein.

- Die entsprechende Taste leuchtet auf, und während der Zeit, in der das Relais aktiviert ist, läuft eine Lichtsequenz von unten nach oben

6. PROGRAMMIERUNG

6.1 ZUGANG ZUM PROGRAMMIERMODUS

- Drücken Sie 5 Sekunden lang [#]. [#] beginnt zu blinken
- Geben Sie den Master PIN ein und drücken Sie [#] Der Standard Master PIN ist 12345. Wenn der Code korrekt ist, leuchtet [#] solange der Programmiermodus aktiviert ist.
- Bei Eingabe eines falschen Master PINs wird der Programmiermodus geschlossen und die Wartezeit beginnt, wie in 7.2 beschrieben

⚠ Wenn nur [#], aufleuchtet, sind Sie im Hauptmenü des Programmiermodus.


✎ Der Standard Master PIN ist 12345. Es muss immer ein 5-ziffriger Code sein.

- Wählen Sie eine Menünummer und bestätigen Sie mit [#]. Die folgenden Menüs sind verfügbar:

- [9] ▶ Master PIN einstellen
- [1] ▶ Manage PIN code
- [3] ▶ Haltezeit relais 1 einstellen
- [4] ▶ Haltezeit relais 2 einstellen
- [5] ▶ Beleuchtungsmodus einstellen

- [7] ▶ Impulswiederholung einstellen
- [0] ▶ Zurücksetzen auf Werksteinstellungen

Ausführliche Informationen finden Sie im nächsten Absatz.

 **Der Programmiermodus endet automatisch, wenn 60 Sekunden lang keine Aktivität erfolgt.**


- Nach der Auswahl eines Menüs können Sie durch Drücken der Taste [C] zum Hauptmenü zurückkehren
- Drücken Sie [C] für 5 Sekunden, um den Programmiermodus zu verlassen

6.2 MASTER PIN EINSTELLEN [9]

- Gehen Sie in den Programmiermodus (siehe 6.1)
- Drücken Sie [9] und bestätigen Sie mit [#]
- Sowohl [9] als auch [#] leuchten auf

 **Der Standard Master PIN ist 12345. Es muss immer ein 5-ziffriger Code sein.**


- Geben Sie einen neuen 5-ziffrigen Master PIN ein und drücken Sie [#]. Wiederholen Sie diesen Schritt.
- Wenn beide PINs übereinstimmen, leuchten alle LEDs kurz auf und Sie kehren ins Hauptmenü des Programmiermodus zurück.

 **Werden zwei unterschiedliche Codes oder Codes mit falscher Länge eingegeben, blinken alle Tasten 3-mal auf, um anzuzeigen, dass der Code nicht gespeichert wurde. Versuchen Sie es noch einmal. [9] leuchtet weiterhin auf.**

- Aus Sicherheitsgründen kann der Master PIN nur für den Zugang zum Programmiermodus verwendet werden. Er kann nicht als Zugangscode verwendet werden.

6.3 MANAGE PIN CODE [1]


- Gehen Sie in den Programmiermodus (siehe 6.1)

 **Es können maximal 100 verschiedene PINs eingestellt werden. (min. 4 - max. 8 Ziffern).**

- Drücken Sie [1] und bestätigen Sie mit [#]
- Sowohl [1] als auch [#] leuchten auf
- Geben Sie einen neuen PIN ein und drücken Sie [#]
- Im Fall eines neuen Codes muss der Code wiederholt und mit [#] bestätigt werden
- Die Lichter unter der Taste [1] und [2] zeigen an, welche Relais ausgewählt sind, um durch diesen Code gesteuert zu werden

- Durch Drücken von [1] oder [2] wird das entsprechende Relais ausgewählt (dauerhaft eingeschaltet) oder abgewählt (blinkend)

- Die Auswahl wird durch Drücken der Taste [#] bestätigt
- Sie kehren ins Hauptmenü des Programmiermodus zurück


 **Werden zwei unterschiedliche Codes oder Codes mit falscher Länge eingegeben, leuchten alle Tasten 3-mal auf, um anzuzeigen, dass der Code nicht gespeichert wurde. Versuchen Sie es noch einmal. [1] leuchtet weiterhin auf.**

 **Ein Code kann entfernt werden, indem Sie [1] und [2] vor dem Bestätigung abwählen.**


DE

6.4 HALTEZEIT RELAIS 1 EINSTELLEN [3]

- Gehen Sie in den Programmiermodus (siehe 6.1)
- Drücken Sie [3] und bestätigen Sie mit [#]
- Sowohl [3] als auch [#] leuchten auf
- Geben Sie die Zeit ein (zwischen 1 und 99 Sekunden) und bestätigen Sie mit [#]
- Eine gültige Zeit wird durch ein kurzes Aufleuchten aller LEDs bestätigt
- Sie kommen zurück ins Hauptmenü

 **Puls-Modus: Falls die SlimStone-2 in Automatisierungsprojekten verwendet wird, ist für die Inbetriebnahme der Steuerung ein Puls erforderlich. Diesen Modus können Sie aktivieren, indem Sie eine Zeit von 0 Sekunden einstellen. Die Pulsdauer beträgt 1000 ms.**

 **Falls eine ungültige Zeit eingegeben wird, leuchten alle Tasten dreimal auf. Menü [3] bleibt aktiviert.**

 **Die standardmäßig eingestellte Zeit beträgt 8 Sekunden.**

6.5 HALTEZEIT RELAIS 2 EINSTELLEN [4]

- Gehen Sie in den Programmiermodus (siehe 6.1)
- Drücken Sie [4] und bestätigen Sie mit [#]
- Sowohl [4] als auch [#] leuchten auf
- Geben Sie die Zeit ein (zwischen 1 und 99 Sekunden) und bestätigen Sie mit [#]
- Eine gültige Zeit wird durch ein kurzes Aufleuchten aller LEDs bestätigt

- Sie kommen zurück ins Hauptmenü

⚠ Puls-Modus: Falls die SlimStone-2 in Automatisierungsprojekten verwendet wird, ist für die Inbetriebnahme der Steuerung ein Puls erforderlich. Diesen Modus können Sie aktivieren, indem Sie eine Zeit von 0 Sekunden einstellen. Die Pulsdauer beträgt 1000 ms.

⚠ Falls eine ungültige Zeit eingegeben wird, leuchten alle Tasten dreimal auf. Menü [4] bleibt aktiviert.

DE **✎** Die standardmäßig eingestellte Zeit beträgt 8 Sekunden.

6.6 EINSTELLEN DES BELEUCHTUNGSMODUS [5]

- Gehen Sie in den Programmiermodus (siehe 6.1)
- Drücken Sie [5] und bestätigen Sie mit [#]
- Sowohl [5] als auch [#] leuchten auf
- Wählen Sie den gewünschten Beleuchtungsmodus:
 - [1] Immer an
 - [2] Auto-Dimmen (Standard): Die Helligkeit der Lichter wird nach 45 Sekunden Inaktivität gedimmt. Sobald eine beliebige Taste gedrückt wird, leuchten die Lichter 45 Sekunden lang wieder mit voller Helligkeit.
 - [3] Auto-off: Die Beleuchtung geht nach 45 Sekunden aus. Sobald eine Taste gedrückt wird, geht die Beleuchtung wieder für eine Minimalzeit von 45 Sekunden an.
- Drücken Sie [1], [2] oder [3] und bestätigen Sie mit [#]. Wenn alle LEDs leuchten, ist Ihre Auswahl gespeichert
- Sie kommen ins Hauptmenü des Programmiermodus zurück

⚠ Falls eine ungültige Zeit eingegeben wird, leuchten alle Tasten dreimal auf. Menü [5] bleibt aktiviert.

6.7 IMPULSWIEDERHOLUNG EINSTELLEN [7]

Wenn eines oder beide der Relais auf Impulsmodus eingestellt sind, können zusätzliche Impulse durch Drücken von [#] ausgegeben werden, ohne dass der PIN-Code erneut eingegeben werden muss. In diesem Menü kann die Dauer dieses Zeitraums für die Impulswiederholung eingestellt werden.

- Gehen Sie in den Programmiermodus (siehe 6.1)
- Drücken Sie [7] und bestätigen Sie mit [#]

- [7] und [#] leuchten beide

- Geben Sie den Zeitraum ein, in dem eine Impulswiederholung erlaubt ist (in Sekunden, von 0 bis 99), und drücken Sie [#] (0s deaktiviert die Impulswiederholung)
- Wenn ein gültiger Code eingegeben wird, leuchten alle Lichter auf und Sie gelangen zurück zum Hauptmenü

⚠ Im Fall einer ungültigen Eingabe blinken alle Lichter dreimal. Menü [7] bleibt aktiviert.

✎ Standardmäßig ist der Wert auf „keine Impulswiederholung“ eingestellt.

6.8 TASTATURHEIZUNG [8]

- Gehen Sie in den Programmiermodus (siehe 6.1)
- Drücken Sie [8] und bestätigen Sie mit [#]
- Sowohl [8] als auch [#] leuchten auf
- Wählen Sie den Modus für die Tastaturheizung:
 - [1] Volle Leistung (standard): Die Tastaturheizung verbraucht bis zu 12W.
 - [2] Halbe Leistung: Der Verbrauch für die Tastaturheizung ist auf maximal 6W begrenzt.
 - [3] Keine Heizung: Die Tastaturheizung ist ausgeschaltet.
- Drücken Sie [1], [2] oder [3] und bestätigen Sie mit [#]. Wenn alle LEDs leuchten, ist Ihre Auswahl gespeichert
- Sie kommen zurück ins Hauptmenü

⚠ Falls eine ungültige Zeit eingegeben wird, leuchten alle Tasten dreimal auf. Menü [8] bleibt aktiviert.

6.9 ZURÜCKSETZEN AUF WERKSEINSTELLUNGEN [0]

- Gehen Sie in den Programmiermodus (siehe 6.1)
- Drücken Sie [0] und bestätigen Sie mit [#]
- [0] blinkt hochfrequent, um anzuzeigen, dass eine unumkehrbare Aktion vorgenommen wird
- Geben Sie den Master PIN ein und bestätigen Sie durch Drücken von [#] für 2 Sekunden
- Wenn alle LEDs leuchten, ist die Zurücksetzung auf Werkseinstellungen abgeschlossen. Alle Einstellungen außer dem Master PIN sind wieder auf die Voreinstellungen zurückgesetzt.

6.10 ZURÜCKSETZEN AUF WERKSEINSTELLUNGEN BEI VERLUST DES MASTER PINS

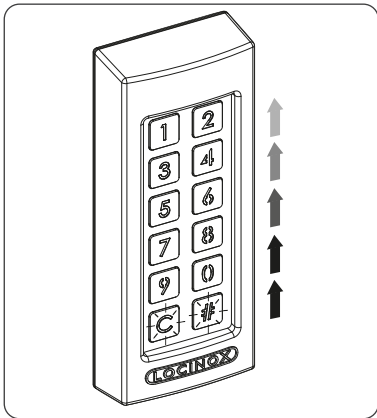
Zurücksetzen auf Werkseinstellungen ohne Master PIN:

- Schalten Sie die Stromversorgung aus und ein, geben Sie den Standard Master PIN "12345" ein und bestätigen Sie innerhalb von 20 Sekunden mit [#] für 2 Sekunden. Die Zurücksetzung auf Werkseinstellungen ist abgeschlossen.
- Wird das Zurücksetzen auf Werkseinstellungen wie oben beschrieben ausgeführt, dann wird damit auch der Master PIN auf den Standard-Wert „12345“ zurückgesetzt.

7. FUNKTIONSWEISE DER SLIMSTONE-2

7.1 EINGABE EINES KORREKTEN CODES

- Geben Sie einen persönlichen Code ein (min. 4 - max. 8 Ziffern)
- Drücken Sie [#], um den Code zu bestätigen
- Wenn der Code nur für 1 Relais gültig ist, wird das Relais sofort aktiviert
- Wenn der Code für Relais 1 und 2 gültig ist, blinken die Tasten [1] und [2]. Durch Drücken von [1] und/oder [2] wird Relais 1 und/oder Relais 2 aktiviert.
- Die entsprechende Taste leuchtet auf, und während der Zeit, in der das Relais aktiviert ist (Standardzeit = 8 Sekunden), läuft eine Lichtsequenz von unten nach oben



- Wenn die Lichtsequenz stoppt, ist auch die Ansteuerung des Relais gestoppt. Die Codetastatur ist wieder für einen neuen Code bereit.

7.2 EINGABE EINES FALSCHEN CODES

- Geben Sie einen falschen Code ein
- Drücken Sie [#] um den Code zu bestätigen
- Alle Lichter leuchten für 2 Sekunden auf, um anzuzeigen, dass ein falscher Code eingegeben wurde
- Wird 5-mal oder öfter der falsche Code eingegeben, können Sie die SlimStone-2 aus Sicherheitsgründen für eine längere Zeit nicht nutzen. Die Wartezeit wird folgendermaßen berechnet:
 $2^{(\text{Anzahl falscher Versuche})}$ Sekunden.

Beispiel : 6 falsche Versuche bedeuten eine Wartezeit von 64 Sekunden (2^6 Sekunden).

Die Wartezeit wird zurückgestellt, sobald ein korrekter Code eingegeben wird oder wenn binnen zwei Stunden kein neuer Code eingegeben wurde.

8. WARTUNG

- Verwenden Sie zur Reinigung des Gehäuses und des Displays ein weiches Tuch, befeuchtet mit einem neutralen Reinigungsmittel
- Verwenden Sie niemals Benzin oder andere chemische Mittel im Kontakt mit dem Gerät, da diese dem Gehäuse schaden könnten

9. ALLGEMEINE INFORMATIONEN

- Achten Sie bitte auf die lokalen Vorschriften bezüglich der Entsorgung von Verpackungsmaterial und nicht mehr gebrauchten Geräten.
- Unser Verpackungsmaterial ist umweltfreundlich. Es kann in 2 Materialien getrennt werden: Karton (Schachtel) und dehnbare Polyester (Puffer).
- Ihr Gerät besteht aus recycelbaren Materialien.

10. GARANTIE

Eine Garantie von 2 Jahren gilt für alle elektronischen Bauteile.

11. FEHLERBEHEBUNG

PROBLEM	LÖSUNG
<ul style="list-style-type: none">• Die gesamte Beleuchtung leuchtet auf	<ul style="list-style-type: none">• Bei mehrmaliger Eingabe eines falschen Codes wird der Betrieb der SlimStone-2 blockiert. Siehe 7.2.
<ul style="list-style-type: none">• Die Beleuchtung funktioniert nicht, nachdem Sie eine Taste gedrückt haben	<ul style="list-style-type: none">• Kontrollieren Sie den Anschluss an die Stromversorgung
<ul style="list-style-type: none">• Die SlimStone-2 reagiert nach der Eingabe des Codes nicht mehr	<ul style="list-style-type: none">• Die Eingabe eines Codes muss jedes Mal mit [#] bestätigt werden
<ul style="list-style-type: none">• Die Lichtsequenz stoppt nicht	<ul style="list-style-type: none">• Kontrollieren Sie, ob die Kabel für den Druckknopf abgedeckt sind• Möglicherweise haben Sie eine Zeit von 99 Sekunden eingestellt
<ul style="list-style-type: none">• Die Beleuchtung blinkt nach der Eingabe des PINs und Bestätigung mit [#]	<ul style="list-style-type: none">• Der eingegebene Code stimmt nicht mit dem eingestellten Code überein. Siehe 7.2.

DE

12. HÄUFIG GESTELLTE FRAGEN

FRAGE	ANTWORT
<ul style="list-style-type: none">• Ist die Codetastatur beheizt?	<ul style="list-style-type: none">• Ja, die SlimStone-2 ist mit einer intelligenten Heizung ausgestattet.
<ul style="list-style-type: none">• Wie wetterbeständig ist die SlimStone-2?	<ul style="list-style-type: none">• Die SlimStone-2 entspricht dem IP68-Standard.
<ul style="list-style-type: none">• Kann man die SlimStone-2 in Kombination mit einem Sektionaltor verwenden?	<ul style="list-style-type: none">• Ja, wenn die Relais-Haltezeit auf 0 gestellt ist, wird ein Puls gegeben, womit ein Sektionstor angesteuert werden kann.



Ein ausgedientes Gerät kann an Ihren Händler zurückgegeben oder an Locinox zurückgeschickt werden. Der Recycling-Beitrag dieses Produkts beträgt € 0,20.



Die WEE-Kennzeichnung auf dem Produkt zeigt an, dass es nicht mit dem gewöhnlichen Haushaltsabfall weggeworfen werden darf, sondern zu einer Sammelstelle, welche für die Wiederverwertung von elektrischen und elektronischen Abfallprodukten bestimmt ist, gebracht werden muss.



Als Produzent dieses Produktes können wir Ihnen garantieren, dass alle nötigen Schritte unternommen wurden, damit dieses Produkt den gültigen Sicherheitsnormen entspricht.

Enhorabuena por la compra de su SlimStone-2

1. DESCRIPCIÓN DEL PRODUCTO

SlimStone-2 es un teclado fuerte y resistente a cualquier tipo de condiciones meteorológicas con luz led integrada. Este teclado es único por su durabilidad. Desarrollado y testado para ser utilizado en condiciones meteorológicas extremas, SlimStone-2 garantiza un control de acceso en cualquier circunstancia.

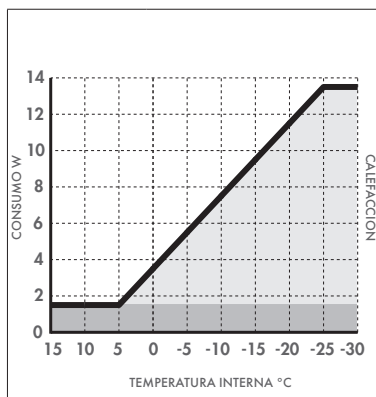
Gracias al 2 relé integrado, con un contacto normalmente abierto y un contacto normalmente cerrado, tanto la conexión a productos Locinox como a otros productos automatizados y la programación de SlimStone-2 son muy sencillos. Viene equipado con el innovador Quick-Fix y las fijaciones alternativas para madera y piedra también son suministradas.

El SlimStone-2 tiene una carcasa de aluminio con recubrimiento de polvo y un panel de teclas y botones de acero inoxidable pulido.

Se pueden programar hasta 100 códigos.

2. ESPECIFICACIONES TÉCNICAS

Temperatura de funcionamiento	-30°C hasta 85°C
Fuente de alimentación	10-26 V AC/DC
Conmutación de potencia	0-26 V AC/DC, 2 A (60 W)
Número de relés incorporados	2
Longitud del cable	2 m (6-1/2ft.)
Valor IP	IP68
Conector	2 contactos prioritarios
Consumo	1,5 W (> 5°C) + 12 W a potencia máxima (< -25°C)

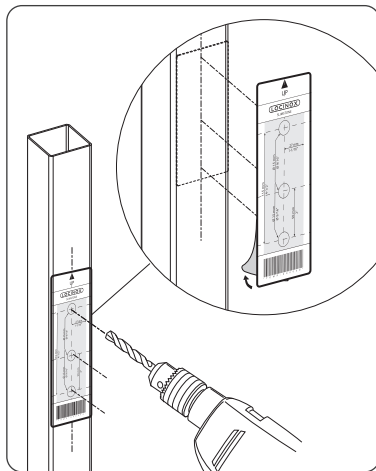


⚠ Se recomienda una fuente de alimentación de 24 V con temperaturas inferiores a -20 °C.

3. MONTAJE

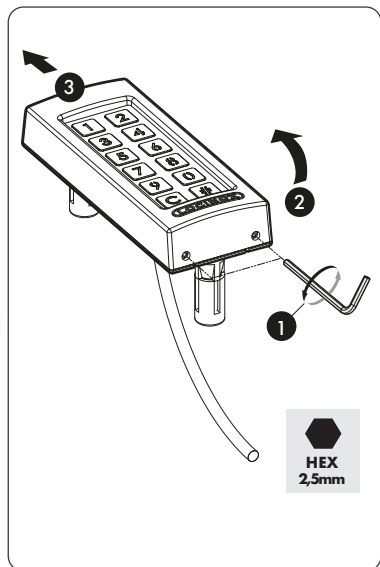
PASO 1

Pegue la plantilla y perforo la pared o el poste (vea página 5)



PASO 2

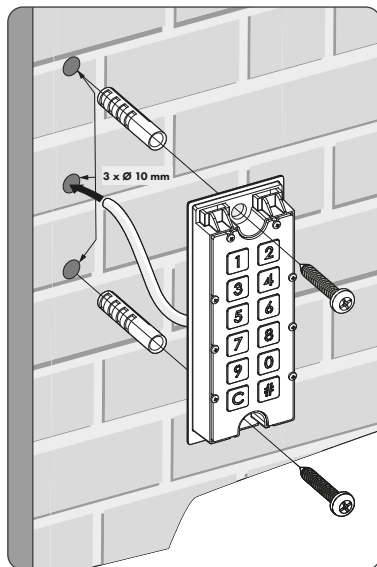
Quite la tapa del SlimStone-2



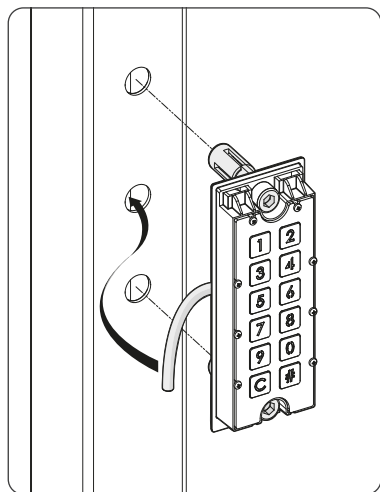
ES

PASO 3B

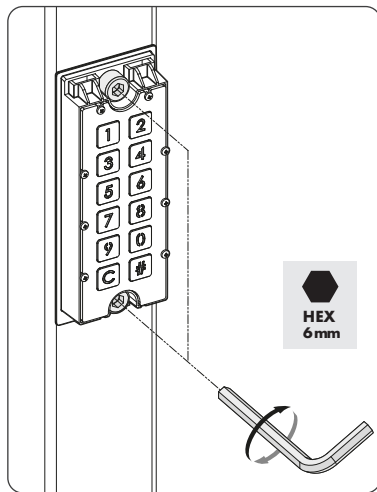
Pase el cable por el agujero del medio de la pared

**PASO 3A**

Pase el cable por el agujero del medio del poste

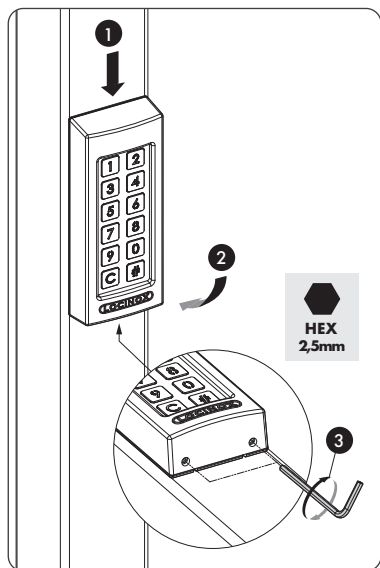
**PASO 4**

Posicione el SlimStone-2 y apriete ambos Quick-Fix



PASO 5

Ponga la tapa y fíjela con los 2 tornillos en la parte inferior



4. CABLEADO

El SlimStone-2 viene equipado con un cable de 10 hilos de 2 m de longitud.

Vea la página 118 para el esquema detallado.

Fuente de alimentación

- | | |
|-------|----------|
| ▶ AC1 | ▶ Azul |
| ▶ AC2 | ▶ Marrón |

Relé

- | | |
|--------------|----------------|
| ▶ Relé 1 COM | ▶ Negro |
| ▶ Relé 1 NO | ▶ Naranja |
| ▶ Relé 1 NC | ▶ Rojo |
| ▶ Relé 2 COM | ▶ Negro/Azul |
| ▶ Relé 2 NO | ▶ Naranja/Azul |
| ▶ Relé 2 NC | ▶ Rojo/Azul |

Botón de cancelación

- | | |
|-----------------|---------------|
| ▶ Cancelación 1 | ▶ Blanco |
| ▶ Cancelación 2 | ▶ Blanco/Azul |

⚠ Las puntas de cables no utilizadas deben ser aisladas de forma separada para garantizar el funcionamiento correcto del teclado.

5. CONTACTO PRIORITARIO

- Se puede conectar un botón externo o un transmisor que prevalece el SlimStone-2. Por ejemplo un intercomunicador, salida libre,...
- Para cancelar el primer relé, el contacto NO del pulsador externo del relé 1 debe conectarse entre J (cancelación 1) y la línea de 0 V (en el caso de CC) o una de las líneas de alimentación (en el caso de CA)
- Para cancelar el segundo relé, el contacto NO del pulsador externo del relé 2 debe conectarse entre I (cancelación 2) y la línea de 0 V (en el caso de CC) o una de las líneas de alimentación (en el caso de CA)
- Para más información sobre los contactos prioritarios, consulte el esquema de conexión de la página 118

⚠ ¡Atención! Debe ser un contacto sin tensión y con funcionamiento NO.

- El botón correspondiente se ilumina y se genera una secuencia de luces ascendente durante el tiempo en que el relé está energizado.

6. PROGRAMACIÓN

6.1 ACCESO AL MODO DE PROGRAMACIÓN

- Pulse [#] 5 segundos, la tecla [#] comenzará a parpadear
- Entre el PIN maestro y pulse [#]. El PIN maestro predeterminado es 12345. Si es correcto, la [#] permanecerá iluminada hasta que el modo de programación esté activado
- Si se ha introducido un PIN maestro erróneo, el modo de programación se desactivará y se activará el periodo de inactividad como descrito en 7.2

⚠ Si solo la [#] se ilumina, está en el menú principal del modo de programación.


⚠ Por razones de seguridad, le recomendamos que cambie el PIN maestro al usarlo por primera vez.

- Seleccione un número de menú y confirme con [#]. Los siguientes menús están disponibles:

- | | |
|-----|---|
| [9] | ▶ introducir un PIN maestro |
| [1] | ▶ gestione PIN code |
| [3] | ▶ introducir un tiempo de espera relé 1 |
| [4] | ▶ introducir un tiempo de espera relé 2 |
| [5] | ▶ introducir un modo de iluminación |

- [7] ▶ Repetición de impulso
- [0] ▶ restablecer de configuraciones de fábrica

Consulte el párrafo siguiente para obtener información detallada.


 **El modo de programación se desactivará automáticamente si no hay actividad durante 60 segundos.**

- Después de seleccionar un menú, es posible volver al menú principal presionando la tecla [C]
- Pulse [C] durante 5 segundos para salir del modo de programación


ES

6.2 INTRODUCIR UN PIN MAESTRO [9]

- Acceda al modo de programación (vea 6.1).
- Pulse [9] y confirme con [#].
- [9] y [#] se iluminarán.


 **El PIN maestro predeterminado es 12345. Siempre debe ser un código de 5 dígitos.**

- Introduzca un nuevo PIN maestro de 5 dígitos y pulse [#]. Repita este paso
- Si los dos códigos son iguales, todos las ledes se iluminarán brevemente y volverá al menú principal del modo de programación
- Por razones de seguridad, el PIN maestro solo puede ser introducido para acceder al modo de programación. No puede ser utilizado como código de acceso.

 **Si dos códigos diferentes o un código erróneo fueron introducidos, todos las ledes parpadearán tres veces para indicar que el código no ha sido grabado. Inténtelo otra vez. [9] permanecerá iluminado.**


6.3 GESTIONE PIN CODE [1]


- Acceda al modo de programación (vea 6.1)

 **Se pueden programar máximo 100 códigos PIN diferentes (min. 4 y máx. 8 dígitos).**

- Pulse [1] y confirme con [#]
- [1] y [#] se iluminarán
- Introduzca un nuevo código PIN y confirme con [#]
- En el caso de un código nuevo, este se deberá repetir y confirmar con [#]


- Las luces que hay bajo los botones [1] y [2] indican los relés que se han seleccionado para ser controlados con este código
- Al pulsar [1] o [2], se selecciona (encendido permanentemente) o se deselecciona (parpadea) el relé correspondiente
- La selección se confirma pulsando la tecla [#]
- Ahora regresará al menú principal del modo de programación


 **Si dos códigos diferentes o un código erróneo fueron introducidos, todos las teclas parpadearán tres veces para indicar que el código no ha sido grabado. Inténtelo otra vez. [1] permanecerá iluminado.**


 **Es posible eliminar un código si se deselecciona [1] y [2] antes de realizar la confirmación.**

6.4 INTRODUCIR UN TIEMPO DE ESPERA RELÉ 1 [3]

- Acceda al modo de programación (vea 6.1)
- Pulse [3] y confirme con [#]
- [3] y [#] estarán iluminados
- Introduzca el tiempo (entre 1 y 99 segundos) y confirme con [#]
- Un tiempo de espera válido se ha grabado si todas las ledes se iluminan brevemente
- Ahora regresará al menú principal

 **Modo impulso: si el SlimStone-2 se utiliza para controlar sistemas automatizados, se requiere un impulso. Se puede activar este modo al introducir un tiempo de 0 segundos. La duración del impulso es 1000 ms.**

 **Si el tiempo introducido es inválido, todas las teclas parpadearán tres veces. El menú [3] permanecerá activado.**

 **El tiempo predeterminado está en 8 segundos.**

6.5 INTRODUCIR UN TIEMPO DE ESPERA RELÉ 2 [4]

- Acceda al modo de programación (vea 6.1)
- Pulse [4] y confirme con [#]
- [4] y [#] estarán iluminados
- Introduzca el tiempo (entre 1 y 99 segundos) y confirme con [#]
- Un tiempo de espera válido se ha grabado si todas las ledes se iluminan brevemente
- Ahora regresará al menú principal

⚠ Modo impulso: si el SlimStone-2 se utiliza para controlar sistemas automatizados, se requiere un impulso. Se puede activar este modo al introducir un tiempo de 0 segundos. La duración del impulso es 1000 ms.

⚠ Si el tiempo introducido es inválido, todas las teclas parpadearán tres veces. El menú [4] permanecerá activado.

✎ El tiempo predeterminado está en 8 segundos.

6.6 INTRODUCIR UN MODO DE ILUMINACIÓN [5]

- Acceda al modo de programación (vea 6.1)
- Pulse [5] y confirme con [#]
- [5] y [#] se iluminarán
- Elija el modo de iluminación:
 - [1] Siempre encendido
 - [2] Auto-dim (predeterminado): a intensidad de las luces se atenúa tras 45 segundos de inactividad. Nada más pulsar cualquier tecla, las luces recuperan su máxima intensidad durante 45 segundos.
 - [3] Auto-off: La iluminación se apagará después de 45 segundos sin actividad. En cuanto se pulse una tecla, la iluminación se volverá a encender como mínimo 45 segundos.
- Pulse [1], [2] o [3] y confirme con [#]. Si todas las ledes parpadean, su elección ha sido guardada
- Ahora está otra vez en el menú principal del modo de programación

⚠ Si el tiempo introducido es inválido, todas las teclas parpadearán tres veces. El menú [5] permanecerá activado.

6.7 CONFIGURACIÓN DE REPETICIÓN DE PULSOS [7]

Si uno de los relés o ambos están configurados en modo de pulsos, es posible emitir pulsos adicionales presionando la tecla [#] sin necesidad de volver a introducir el código PIN. Este menú permite ajustar la duración de este intervalo de repetición de pulsos.

- Acceda al modo de programación (vea 6.1)
- Pulse [7] y confirme con [#]
- Las teclas [7] y [#] se encienden
- Introduzca el intervalo de tiempo permitido para la repetición de pulsos (en segundos, entre 0 y 99) (0 s deshabilita la repetición de pulsos)
- Si se introduce un código válido, se encenderán todas las luces y volverá al menú principal

⚠ Si el código introducido no es válido, todas las luces parpadearán tres veces. El menú [7] se mantiene activado.

✎ Por defecto, el valor se fija en "sin repetición de pulsos".

6.8 CALEFACCIÓN DEL TECLADO [8]

- Acceda al modo de programación (vea 6.1)
- Pulse [8] y confirme con [#]
- [8] y [#] estarán iluminados
- Seleccione el modo para la calefacción del teclado:
 - [1] Calefacción a plena potencia (predeterminado): la calefacción del teclado puede consumir hasta 12W de potencia.
 - [2] Calefacción a media potencia: la potencia consumida para la calefacción del teclado se limita a un máximo de 6W.
 - [3] Sin calefacción: la calefacción del teclado está apagada
- Pulse [1], [2] o [3] y confirme con [#]. Si todas las ledes parpadean, su elección ha sido guardada
- Ahora regresará al menú principal

⚠ Si el tiempo introducido es inválido, todas las teclas parpadearán tres veces. El menú [8] permanecerá activado.

6.9 RESTABLECER LAS CONFIGURACIONES DE FÁBRICA [0]

- Acceda al modo de programación (vea 6.1)
- Pulse [0] y confirme con [#]
- [0] parpadeará rápidamente para indicar que se puede realizar una acción irreversible
- Introduzca el PIN maestro y confirme pulsando [#] durante 2 segundos
- Cuando todas las ledes parpadean, se han restablecido las condiciones de fábrica. Todos los parámetros vuelven a ser los predeterminados menos el PIN maestro.

ES

6.10 RESTABLECER LAS CONFIGURACIONES DE FÁBRICA AL PERDER EL PIN MAESTRO

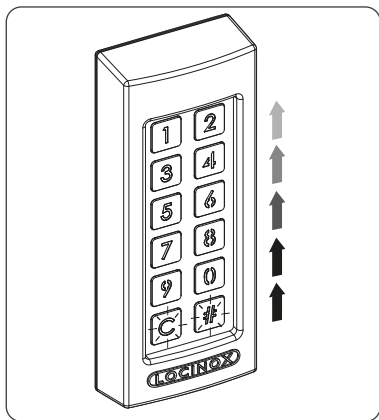
Restablecer las configuraciones de fábrica sin el PIN maestro:

- Conecte y desconecte la fuente de alimentación, introduzca el PIN maestro estándar "12345" y confirme presionando y manteniendo [#] durante 2 segundos en menos de 20 segundos.
- En caso de restablecer las condiciones de fábrica como descrito anteriormente, el PIN maestro vuelve a ser "12345"

ES 7. FUNCIONAMIENTO DEL SLIMSTONE-2

7.1 INTRODUCIR UN CÓDIGO CORRECTO

- Introduzca un código personal (min. 4 - máx. 8 dígitos)
- Pulse [#] para confirmar el código
- En el caso de que el código sea válido solo para 1 relé, este se activará de inmediato
- Si el código es válido para los relés 1 y 2, parpadearán los botones [1] y [2]. Al pulsar [1] y/o [2], se activará el relé 1 y/o el relé 2
- El botón correspondiente se ilumina y se genera una secuencia de luces ascendente durante el tiempo en que el relé está energizado (tiempo por defecto = 8 segundos)



- Si la secuencia de luces se para, el relé ya no está activado. Ahora el SlimStone-2 está preparado para introducir un nuevo código.

7.2 INTRODUCIR UN CÓDIGO ERRÓNEO

- Introduzca un código erróneo
- Pulse [#] para confirmar el código;
- Todas las luces parpadearán durante 2 segundos para indicar que se ha introducido un código erróneo
- Si se han introducido 5 o más códigos erróneos de manera consecutiva, ya no será posible usar el SlimStone-2 durante un determinado periodo por razones de seguridad. El periodo de inactividad es calculado de la siguiente manera:
 $2^{[\text{número de intentos erróneos}]}$ segundos.

Por ejemplo: 6 intentos erróneos resultarán en un periodo de inactividad de 64 segundos (2^6 segundos).

El periodo de inactividad se cancela al introducir el código correcto, o después de 2 horas si no se introduce un código nuevo.

8. MANTENIMIENTO

- Limpie la carcasa y la pantalla con un paño suave y húmedo con un detergente neutro
- Nunca utilice gasolina ni otros productos químicos ya que podrían dañar la carcasa del aparato

9. INFORMACIÓN GENERAL

- Respete las normas locales relativas a la eliminación de embalajes y dispositivos fuera de uso
- Nuestros embalajes son ecológicos. Están hechos de 2 materiales: cartón (la caja) y poliestireno expandido (amortiguador)
- Su producto está hecho con materiales reciclables

10. GARANTÍA

Todos los equipos electrónicos tienen una garantía de 2 años.

11. LOCALIZACIÓN DE AVERÍAS

PROBLEMA	SOLUCIÓN
<ul style="list-style-type: none"> Todas las luces parpadean 	<ul style="list-style-type: none"> Si ha introducido varias veces códigos erróneos, el SlimStone-2 se ha bloqueado. Vea 7.2.
<ul style="list-style-type: none"> Se han apagado las luces del SlimStone-2 al pulsar un botón 	<ul style="list-style-type: none"> Compruebe la conexión de la fuente de alimentación
<ul style="list-style-type: none"> El SlimStone-2 no reacciona al introducir el código 	<ul style="list-style-type: none"> Después de introducir el código, siempre debe confirmarlo pulsando [#]
<ul style="list-style-type: none"> La luz de secuencia permanece encendida 	<ul style="list-style-type: none"> Compruebe que los cables del botón de cancelación estén aislados Es posible que haya introducido un tiempo de 99 segundos
<ul style="list-style-type: none"> Las luces parpadean después de introducir el código PIN y tras confirmar pulsando [#] 	<ul style="list-style-type: none"> El código introducido no coincide con los códigos registrados. Vea 7.2

ES

12. PREGUNTAS FRECUENTES

PREGUNTA	RESPUESTA
<ul style="list-style-type: none"> ¿El teclado tiene calefacción? 	<ul style="list-style-type: none"> Sí, el SlimStone-2 está equipado con un sistema de calefacción controlado para evitar la congelación de las teclas
<ul style="list-style-type: none"> ¿Es SlimStone-2 resistente a diferentes condiciones meteorológicas? 	<ul style="list-style-type: none"> SlimStone-2 está diseñado para cumplir con la norma IP68
<ul style="list-style-type: none"> ¿Puedo usar SlimStone-2 con puertas seccionales? 	<ul style="list-style-type: none"> Sí, ajustando el tiempo de retención del relé a 0, se da un impulso con el que se pueden controlar puertas seccionales



Puede devolver un producto desechado a su distribuidor o enviarlo a Locinox. La tasa de reciclado de este producto es 0.2 €.



La marca WEE en el producto indica que no se puede tirar a la basura junto con desechos caseros sino que debe ser entregado en un punto de recogida designado para el reciclaje de desechos eléctricos y electrónicos.



Como fabricante de este producto, le garantizamos que hemos tomado todas las medidas necesarias en cumplimiento con las normas de seguridad vigentes.

Gratulujemy zakupu klawiatury SlimStone-2

1. OPIS PRODUKTU

SlimStone-2 to solidna, odporna na warunki pogodowe klawiatura z wbudowanym oświetleniem LED. Jej wytrzymałość i niezawodność sprawia, że jest jedyna w swoim rodzaju. Została bowiem specjalnie zaprojektowana i przetestowana pod kątem użytkowania w najbardziej ekstremalnych warunkach pogodowych, aby zawsze zapewniać bezproblemową kontrolę dostępu.

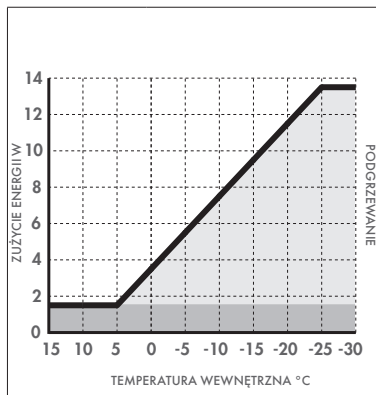
Dzięki wbudowanemu przekaźnikowi o 1 normalnie otwartym (NO) i 1 normalnie zamkniętym (NC) styku, zarówno podłączenie do urządzeń Locinox i innych produktów do automatyzacji, jak również programowanie klawiatury SlimStone-2 jest niezwykle łatwe. Dla ułatwienia instalacji do urządzenia dołączono innowacyjny system montażowy Quick-Fix i alternatywne akcesoria do montażu na podłożu drewnianym i kamiennym.

Obudowa klawiatury SlimStone-2 jest wykonana z malowanego proszkiem aluminium, a jej panel na klawisze i same klawisze – ze szczotkowanej stali nierdzewnej.

Klawiatura umożliwia zaprogramowanie nawet 100 kodów dostępu.

2. DANE TECHNICZNE

Temperatura działania	od -30°C do 85°C
Zasilanie	10-26 V AC/DC
Przełącznik	0-26 V AC/DC, 2 A (60 W)
Liczba przekaźników na płycie	2
Długość przewodu	2 m (6-1/2ft.)
Stopień szczelności	IP68
Prąd wejściowy	2 priorytetowe kontakty
Zużycie energii	1,5 W (> 5°C) + 12 W przy maks. podgrzewaniu (< -25°C)

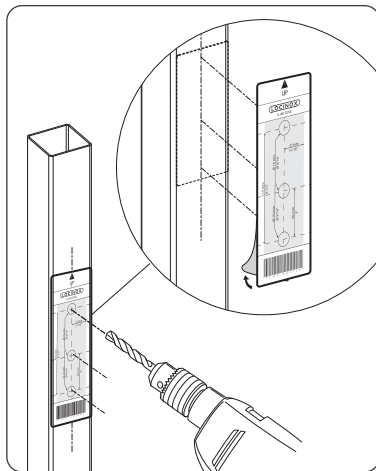


⚠ W temperaturze poniżej -20°C zalecane jest zasilanie 24 V.

3. INSTALACJA

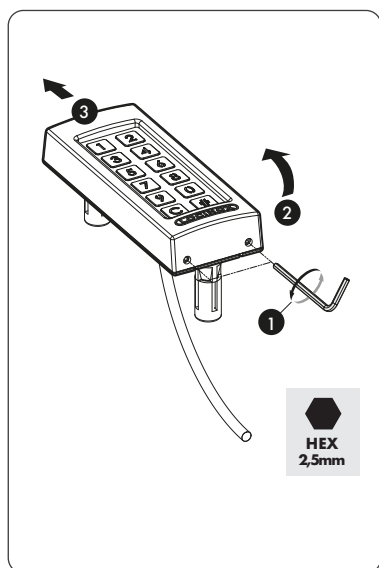
KROK 1.

Przyklej szablon do wiercenia i wywierć otwory w murze lub słupku (zob. str 5)



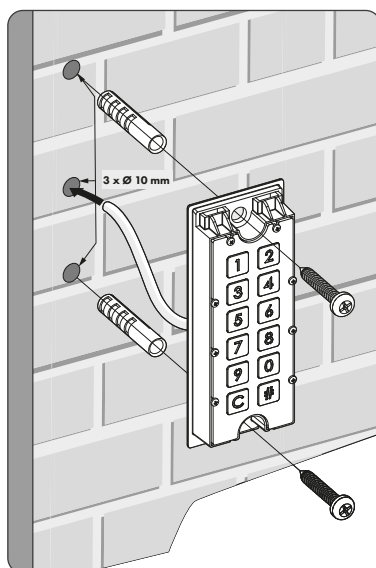
KROK 2.

Usuń obudowę z urządzenia SlimStone-2



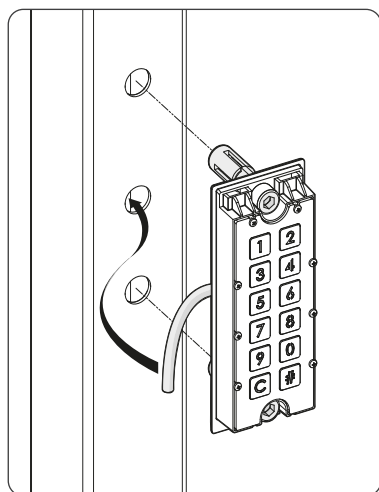
KROK 3B.

Przeprowadź przewód urządzenia przez środkowy otwór w murze



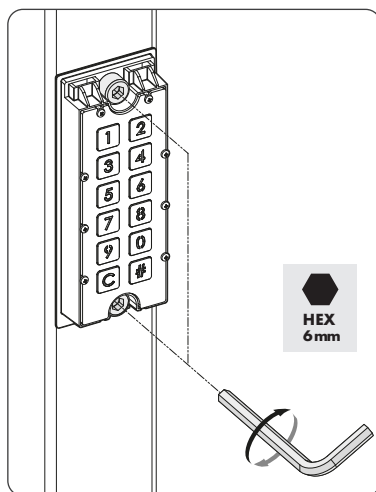
KROK 3A.

Przeprowadź przewód urządzenia przez środkowy otwór w słupku



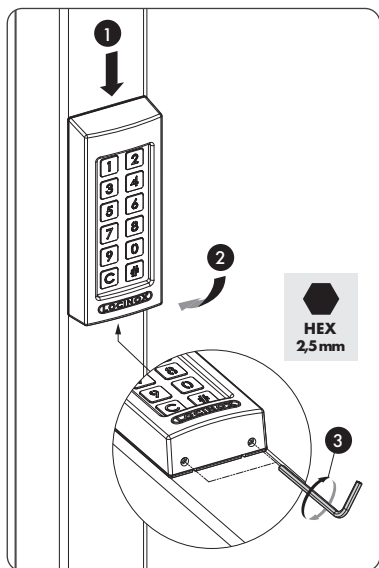
KROK 4.

Zamontuj klawiaturę SlimStone-2 i dokręć obie śruby Quick-Fix



KROK 5.

Założ obudowę klawiatury i zamocuj ją dokręcając 2 śruby w jej dolnej części



PL

4. PRZEWODY PODŁĄCZENIOWE

Urządzenie SlimStone-2 jest wyposażone w 10-żyłowy kabel o długości 2 metrów.

Na str. 118 zamieszczono szczegółowy schemat podłączeń.

Zasilanie

- | | |
|-------|-----------|
| ▶ AC1 | ▶ Błękit |
| ▶ AC2 | ▶ Brązowy |

Przełącznik

- | | |
|---------------------|-----------------------|
| ▶ Przełącznik 1 COM | ▶ Czarny |
| ▶ Przełącznik 1 NO | ▶ Pomarańczowy |
| ▶ Przełącznik 1 NC | ▶ Czerwony |
| ▶ Przełącznik 2 COM | ▶ Czarny/błękit |
| ▶ Przełącznik 2 NO | ▶ Pomarańczowy/błękit |
| ▶ Przełącznik 2 NC | ▶ Czerwony/błękit |

Przycisk anulowania

- | | |
|--------------|----------------|
| ▶ Override 1 | ▶ Biały |
| ▶ Override 2 | ▶ Biały/błękit |

! Aby klawiatura działała prawidłowo, należy zaizolować oddzielnie końcówki przewodów niewykorzystanych do instalacji.

5. PRZEKAZNIK PRIORYTETOWY

- Do styku wejściowego „Anuluj/Override” klawiatury SlimStone-2 można podłączyć przycisk lub inny element podający sygnał. Na przykład domofon, swobodne wyjście itp.
- Aby odrzucić pierwszy przełącznik, styk zewnętrznego przycisku dla przełącznika 1 powinien być podłączony między J (pominięcie 1) a przewodem 0 V (w przypadku DC) lub jednym z przewodów zasilania (w przypadku AC)
- Aby odrzucić drugi przełącznik, styk zewnętrznego przycisku dla przełącznika 2 powinien być podłączony między I (pominięcie 2) a przewodem 0 V (w przypadku DC) lub jednym z przewodów zasilania (w przypadku AC)
- Więcej informacji na temat styków priorytetowych znajduje się na schemacie połączeń na stronie 118

! Uwaga! Musi to być bezpotencjałowy styk z działaniem NO.

- Odpowiedni przycisk zapala się, a sekwencja oświetlenia odbywa się od dołu do góry w czasie, kiedy przełącznik jest zasilany

6. PROGRAMOWANIE

6.1 WEJŚCIE DO TRYBU PROGRAMOWANIA

- Przyciskając [#] przez 5 sek., [#] zacznie migać
- Wprowadź główny kod PIN i naciśnij [#]. Fabrycznie ustawiony główny kod PIN to 12345. Jeśli kod jest prawidłowy, przycisk [#] pozostanie podświetlony do chwili aktywowania się trybu programowania.
- Po wprowadzeniu nieprawidłowego głównego kodu PIN, urządzenie wyjdzie z trybu ustawień i zablokuje się na pewien czas, jak opisano w punkcie 7.2

! Jeśli podświetlony jest tylko przycisk [#] oznacza to, że znajdujesz się w menu głównym trybu programowania.


! Dla bezpieczeństwa zaleca się, aby przy rozpoczęciu korzystania z urządzenia zmienić najpierw główny kod PIN.

- Wybierz numer menu i potwierdź klawiszem [#]. Dostępne są następujące menu:

- [9] ▶ Ustawianie głównego kodu PIN
- [1] ▶ Dodawanie kodu PIN
- [3] ▶ Ustawianie czasu uruchomienia przełącznika

- [4] ▶ Ustawić przekaźnik czasowy 2
- [5] ▶ Ustaw tryb oświetlenia
- [7] ▶ Powtarzanie pulsu
- [0] ▶ Przyróżanie ustawień fabrycznych


Szczegółowe informacje podane sę w następnym punkcie.

 **Urządzenie automatycznie wyjdzie z trybu programowania, gdy przez 60 sekund użytkownik nie użyje żadnego przycisku.**


- Naciśnięcie przycisku [C] powoduje przejście do wyższego poziomu menu
- Aby opuścić tryb programowania, naciśnij [C] przez 5 sekund

6.2 USTAWIANIE GŁÓWNEGO KODU PIN [9]

- Wejść do trybu programowania (zob. 6.1)
- Naciśnij [9] i potwierdź wybór za pomocą [#]
- Przyciski [9] i [#] zostanie podświetlone


 **Fabrycznie ustawiony główny kod PIN to 12345. Główny kod PIN musi składać się z 5 cyfr.**

- Wprowadź nowy, 5-cyfrowy główny kod PIN i naciśnij [#]. Następnie powtórz ten krok
- Jeśli powtórnie wprowadzony kod będzie zgodny z nowym kodem, na krótko zaświecą się wszystkie diody i urządzenie powróci do menu głównego w trybie programowania
- Ze względów bezpieczeństwa główny kod PIN może być wprowadzany tylko w trybie programowania. Nie wolno go więc używać jako kodu dostępu.

 **Po wprowadzeniu dwóch różnych kodów lub kodu o niewłaściwej długości, wszystkie światła LED zamigają 3 razy na znak, że kod nie został zapisany. Spróbuj ponownie. [9] pozostanie podświetlone.**

6.3 DODAWANIE KODU PIN [1]

- Wejść do trybu programowania (zob. 6.1)

 **W urządzeniu można ustawić do 100 różnych kodów PIN (o co najmniej 4 i maks. 8 cyfrach).**

- Naciśnij [1] i potwierdź wybór za pomocą [#]
- Podświetlą się przyciski [1] i [#]
- Wprowadź nowy kod PIN i potwierdź go naciskając [#]. Następnie powtórz ten krok


- W przypadku nowego kodu należy go powtórzyć i potwierdzić za pomocą [#]


- Lampki pod przyciskiem [1] i [2] wskazują, które przekaźniki zostały wybrane do kontrolowania przez ten kod

- Naciśnięcie [1] lub [2] powoduje wybór (świeci ciągle) lub anulowanie wyboru (miga) właściwego przekaźnika

- Wybór zostaje potwierdzony przez naciśnięcie klawisza [#]

- Urządzenie powróci do menu głównego w trybie programowania

 **Po wprowadzeniu dwóch różnych kodów lub kodu o niewłaściwej długości, wszystkie przyciski zamigają 3 razy na znak, że kod nie został zapisany. Spróbuj ponownie. [1] pozostanie podświetlone.**

 **Kod można usunąć przez anulowanie wyboru [1] i [2] przed potwierdzeniem.**

6.4 USTAWIANIE CZASU URUCHOMIENIA PRZEKAŹNIKA [3]

- Wejść do trybu programowania (zob. 6.1)


- Naciśnij [3] i potwierdź wybór za pomocą [#]


- Podświetlą się przyciski [3] i [#]


- Wpisz czas, przez jaki przekaźnik ma pozostać uruchomiony (z przedziału 1-99 sekund) i potwierdź wybór za pomocą [#]

- Wszystkie diody LED zaświecą się na chwilę, jeśli wpisano czas z dozwolonego przedziału czasowego

- Urządzenie powróci do menu głównego

 **Tryb impulsu: gdy urządzenie SlimStone-2 służy do sterowania systemem automatyzacji dostępu, niezbędne jest przesłanie impulsu. Tryb ten można aktywować poprzez ustawienie czasu na wartość 0 sekund. Długość trwania impulsu wynosi wówczas 1000 ms.**

 **Po wprowadzeniu nieprawidłowej wartości czasu wszystkie przyciski zamigają 3 razy. Menu [3] pozostanie aktywne.**

 **Standardowy czas uruchomienia przekaźnika jest ustawiony na 8 sekund.**

6.5 USTAWIANIE CZASU URUCHOMIENIA PRZEKAŹNIKA [4]

- Wejść do trybu programowania (zob. 6.1)
- Naciśnij [4] i potwierdź wybór za pomocą [#]
- Podświetlą się przyciski [4] i [#]
- Wpisz czas, przez jaki przekaźnik ma pozostać uruchomiony (z przedziału 1-99 sekund) i potwierdź wybór za pomocą [#]
- Wszystkie diody LED zaświecą się na chwilę, jeśli wpisano czas z dozwolonego przedziału czasowego
- Urządzenie powróci do menu głównego

⚠ Tryb impulsu: gdy urządzenie SlimStone-2 służy do sterowania systemem automatyzacji dostępu, niezbędne jest przesłanie impulsu. Tryb ten można aktywować poprzez ustawienie czasu na wartość 0 sekund. Długość trwania impulsu wynosi wówczas 1000 ms.

⚠ Po wprowadzeniu nieprawidłowej wartości czasu wszystkie przyciski zamigają 3 razy. Menu [4] pozostanie aktywne.

✎ Standardowy czas uruchomienia przekaźnika jest ustawiony na 8 sekund.

6.6 USTAWIANIE TRYB OŚWIETLENIA [5]

- Wejść do trybu programowania (zob. 6.1)
- Naciśnij [5] i potwierdź wybór za pomocą [#]
- Podświetlą się przyciski [5] i [#]
- Wybierz tryb, w jakim ma działać oświetlenie:
 - [1] Zawsze włączone
 - [2] Automatyczne przyciemnianie (standardowo):
Jasność lampek zostaje zmniejszona po 45 sekundach braku aktywności. Po naciśnięciu dowolnego przycisku lampki ponownie zapalają się z pełną jasnością na 45 sekund.
 - [3] Automatyczne wyłączenie:
Oświetlenie wyłączy się po 45 sekundach braku aktywności. Po naciśnięciu dowolnego przycisku oświetlenie włączy się ponownie na 45 sekund.
- Naciśnij [1], [2] lub [3] i potwierdź wybór za pomocą [#]. Gdy wszystkie światła LED zamigają, oznaczać to będzie pomyślne zapisanie wybranego trybu oświetlenia.
- Urządzenie powróci do menu głównego w trybie programowania

⚠ Po wprowadzeniu nieprawidłowej wartości

czasu wszystkie przyciski zamigają 3 razy. Menu [5] pozostanie aktywne.

6.7 USTAWIENIE POWTARZANIA IMPULSÓW [7]

Jeżeli jeden lub obydwa przekaźniki są ustawione na tryb impulsowy, dodatkowe impulsy można wykonać przez naciśnięcie [#] bez konieczności ponownego wpisywania kodu PIN. W tym menu możliwe jest ustawienie czasu powtarzania impulsów.

- Dostęp do trybu programowania (patrz 6.1)
- Nacisnąć [7] i potwierdzić za pomocą [#]
- [7] i [#] świecą
- Wpisać zakres czasu, w którym dozwolone jest powtórzenie impulsu (w sekundach, w zakresie 0-99) i nacisnąć [#] (0 sek. powoduje wyłączenie powtórzenia impulsu)
- Po wprowadzeniu prawidłowego kodu wszystkie lampki zapalają się i następuje powrót do menu głównego

⚠ W przypadku nieprawidłowego wpisu wszystkie lampki będą migać trzy razy. Menu 7 pozostaje aktywne.

✎ Standardowo wartość jest ustawiona na „brak powtórzenia impulsu”.

6.8 OGRZEWANIE KLAWIATURY [8]

- Wejść do trybu programowania (zob. 6.1)
- Naciśnij [8] i potwierdź wybór za pomocą [#]
- Podświetlą się przyciski [8] i [#]
- Wybierz tryb ogrzewania klawiatury:
 - [1] Pełna moc ogrzewania (domyślne):
Ogrzewanie klawiatury może zużywać do 12W.
 - [2] Połowa mocy ogrzewania: Moc pobierana do ogrzewania klawiatury jest ograniczona do maksymalnie 6W.
 - [3] Brak ogrzewania: ogrzewanie klawiatury jest wyłączone
- Naciśnij [1], [2] lub [3] i potwierdź wybór za pomocą [#]. Gdy wszystkie światła LED zamigają, oznaczać to będzie pomyślne zapisanie wybranego trybu oświetlenia.
- Urządzenie powróci do menu głównego

⚠ Po wprowadzeniu nieprawidłowej wartości czasu wszystkie przyciski zamigają 3 razy. Menu [8] pozostanie aktywne.

6.9 PRZYWRACANIE USTAWIEŃ FABRYCZNYCH [0]

- Wejść do trybu programowania (zob. 6.1)
- Naciśnij [0] i potwierdź wybór za pomocą [#]
- [0] zamiga szybko na ostrzeżenie, że użytkownik może teraz wykonać czynność, której nie da się cofnąć
- Wprowadź główny kod PIN i potwierdź reset naciskając przycisk [#] przez 2 sekundy
- Gdy wszystkie światła LED zamigają, oznaczać to będzie zakończenie przywracania ustawień fabrycznych. Wszystkie ustawienia urządzenia są zresetowane do standardowych ustawień fabrycznych z wyjątkiem głównego kodu PIN.

6.10 PRZYWRACANIE USTAWIEŃ FABRYCZNYCH W RAZIE UTRATY GŁÓWNEGO KODU PIN

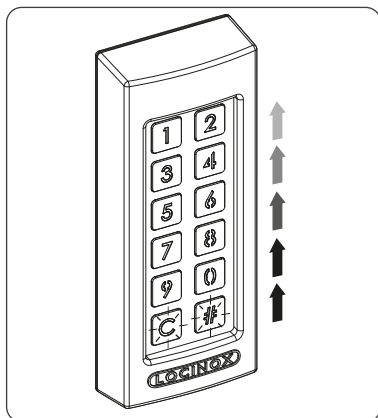
Można przywrócić ustawienia fabryczne bez użycia głównego kodu PIN:

- Wyłącz, a następnie włącz zasilanie, wprowadź fabryczny Master kod PIN: „12345” i potwierdź go w ciągu 20 sekund, naciskając i przytrzymując [#] przez 2 sekundy.
- Po wykonaniu resetu ustawień w ten sposób, główny kod PIN zostanie ustawiony na „12345”

7. OBSŁUGA URZĄDZENIA SLIMSTONE-2

7.1 WPROWADZENIE PRAWIDŁOWEGO KODU

- Wpisz na klawiaturze osobisty kod (od 4 do 8 cyfr)
- Naciśnij [#] aby go potwierdzić
- Jeżeli kod obowiązuje tylko dla 1 przekaźnika, zostanie on aktywowany niezwłocznie
- Jeżeli kod obowiązuje dla przekaźnika 1 i 2, przycisk [1] i [2] będzie migać. Naciśnięcie [1] i/ lub [2] powoduje aktywowanie przekaźnika 1 i/ lub przekaźnika 2.
- Odpowiedni przycisk zapala się, a sekwencja oświetlenia odbywa się od dołu do góry w czasie, kiedy przekaźnik jest zasilany (czas domyślny = 8 sekund)



- Gdy światło się zatrzyma, oznaczać to będzie, że przekaźnik nie jest już uruchomiony. Klawiatura jest wtedy gotowa do wprowadzenia nowego kodu.

PL

7.2 WPROWADZENIE NIEPRAWIDŁOWEGO KODU

- Użytkownik wprowadził niewłaściwy kod
- Naciśnięcie [#] aby go potwierdzić
- Całe oświetlenie klawiatury miga wtedy przez 2 sekundy informując, że wprowadzono nieprawidłowy kod
- Po 5-krotnym wprowadzeniu pod rząd nieprawidłowego kodu urządzenie SlimStone-2 będzie przez pewien czas niedostępne do ponownego wprowadzenia kodu ze względu na bezpieczeństwo. Czas ten wyniesie: 2^(liczba błędnych prób) sekund.

Np. 6 błędnych prób oznacza, że klawiatura będzie zablokowana przez 64 sekundy (2⁶ sekund)

Liczba prób wprowadzenia kodu zostanie wyzerowana po wpisaniu poprawnego kodu lub gdy przez 2 godziny nie zostanie wprowadzony żaden nowy kod.

8. KONSERWACJA

- Do mycia obudowy i wyświetlacza należy użyć miękkiej ściereczki i neutralnego środka czyszczącego
- Nie wolno do tego celu używać benzyny lub innych środków chemicznych, gdyż mogą uszkodzić obudowę

9. INFORMACJE OGÓLNE

- Należy postępować zgodnie z lokalnymi przepisami dotyczącymi usuwania opakowania a także urządzenia po zakończeniu eksploatacji
- Materiał opakowaniowy jest przyjazny dla środowiska. Można go w łatwy sposób podzielić na karton (pudełko) i rozkładany poliester (przegrody).

- Urządzenie jest wykonane z materiałów nadających się do recyklingu

10. GWARANCJA

Wszystkie części elektroniczne są objęte dwuletnią gwarancją.

11. ROZWIĄZYWANIE PROBLEMÓW

OPIS PROBLEMU	ROZWIĄZANIE
<ul style="list-style-type: none">Całe oświetlenie klawiatury miga	<ul style="list-style-type: none">Po kilkakrotnym wprowadzeniu nieprawidłowego kodu działanie klawiatury SlimStone-2 zostaje zablokowane. (zob. 7.2)
<ul style="list-style-type: none">Oświetlenie klawiatury SlimStone-2 gaśnie po naciśnięciu dowolnego przycisku	<ul style="list-style-type: none">Sprawdź podłączenie do zasilania
<ul style="list-style-type: none">Urządzenie SlimStone-2 nie reaguje po wprowadzeniu kodu	<ul style="list-style-type: none">Po wprowadzeniu kodu należy go zawsze potwierdzić naciskając [#]
<ul style="list-style-type: none">Od dołu do góry klawiatury przepływa światło jej podświetlenia	<ul style="list-style-type: none">Należy sprawdzić, czy przewody do przycisku anulowania są dobrze zaizolowaneByć może czas uruchomienia przełącznika ustawiono na 99 sekund
<ul style="list-style-type: none">Oświetlenie miga po wprowadzeniu kodu PIN i zatwierdzeniu go przyciskiem [#]	<ul style="list-style-type: none">Wprowadzony kod jest niezgodny z zaprogramowanymi kodami (zob. 7.2)

PL

12. CZĘSTO ZADAWANE PYTANIA

PYTANIE	ODPOWIEŹ
<ul style="list-style-type: none">Czy klawiatura do wprowadzania kodów jest podgrzewana?	<ul style="list-style-type: none">Tak, urządzenie SlimStone-2 wyposażono w regulowany system grzewczy, dzięki któremu przyciski klawiatury nie zamarzają.
<ul style="list-style-type: none">W jaki sposób zabezpieczono klawiaturę SlimStone-2 przed warunkami pogodowymi?	<ul style="list-style-type: none">Urządzenie SlimStone-2 zostało zaprojektowane w taki sposób, aby spełniało normę szczelności IP68.
<ul style="list-style-type: none">Czy klawiaturę SlimStone-2 można stosować w połączeniu z bramą segmentową?	<ul style="list-style-type: none">Tak. Ustawienie czasu uruchomienia przełącznika na 0 wywoła impuls, za pomocą którego możliwe będzie sterowanie bramą segmentową.



Po zakończeniu użytkowania urządzenie można zwrócić swojemu sprzedawcy lub odesłać do firmy Locinox. Opłata recyklingowa dla tego produktu wynosi 0,2 €.



Oznaczenie WEE umieszczone na produkcie oznacza, że nie wolno go wyrzucać wraz ze zwykłymi śmieciami domowymi, tylko oddać do wyznaczonego punktu recyklingu odpadów elektrycznych i elektronicznych.



Producent urządzenia zapewnia, że podjął wszelkie niezbędne kroki w celu zagwarantowania, aby produkt ten spełniał obowiązujące wymogi w zakresie bezpieczeństwa.

Поздравляем с покупкой вашего SlimStone-2

1. ОПИСАНИЕ ПРОДУКТА

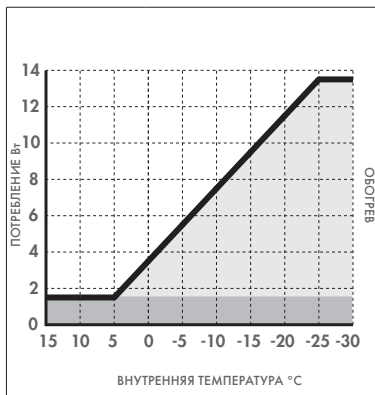
SlimStone-2 – это прочная клавиатура со встроенной светодиодной подсветкой, устойчивая к погодным условиям. Эта клавиатура уникальна ввиду своей долговечности. Разработанная и протестированная для использования в самых экстремальных погодных условиях, SlimStone-2 гарантирует контроль доступа при любых обстоятельствах. Благодаря встроенному реле с одним обычным открытым контактом и одним обычным закрытым контактом, подключение к Locinox и другим средствам автоматизации, а также программирование SlimStone-2 очень просты. Помимо инновационного крепления Quick-Fix, в комплект также входят альтернативные крепления для дерева и камня.

SlimStone-2 состоит из корпуса, покрытого порошковым алюминием, панели из нержавеющей стали и такими же тактильными кнопками.

До 100 программируемых кодов.

2. ТЕХНИЧЕСКИЕ ХАРАКТЕРИСТИКИ

Рабочая температура	от -30°C до 85°C
Питание	10-26 В AC/DC
Подключение	0-26 В AC/DC, 2 А (60 Вт)
Количество внутренних реле	2
Длина	2 м (6-1/2 футов)
IP-показатель	IP68
Входы управления	2 входа управления
Потребляемая мощность	1,5 Вт (>5°C) + 12 Вт при макс. обогреве (<-25°C)

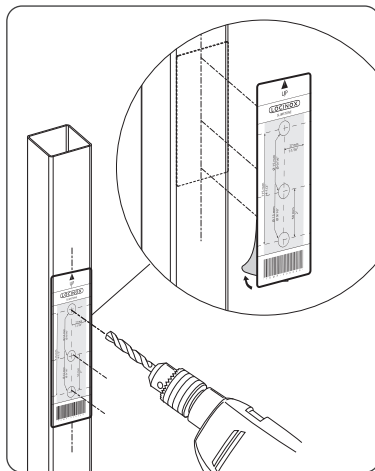


⚠ При температуре ниже -20 °C рекомендуется использовать источник питания напряжением 24 В.

3. МОНТАЖ

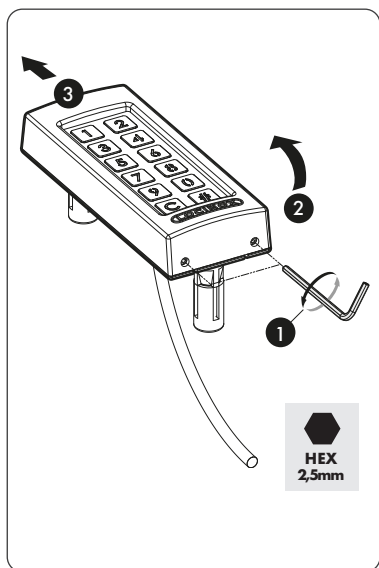
ШАГ 1

Приклейте шаблон и просверлите его на стене или панели (см. стр.5).



ШАГ 2

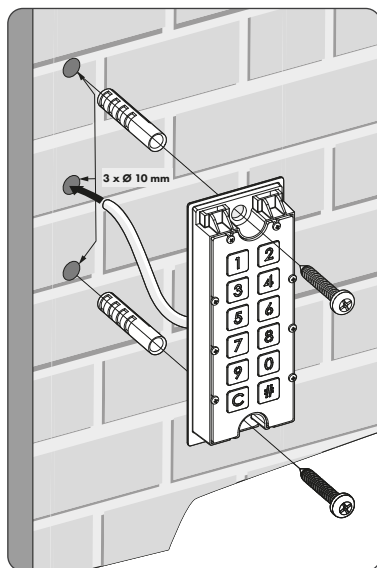
Снимите крышку SlimStone-2.



RU

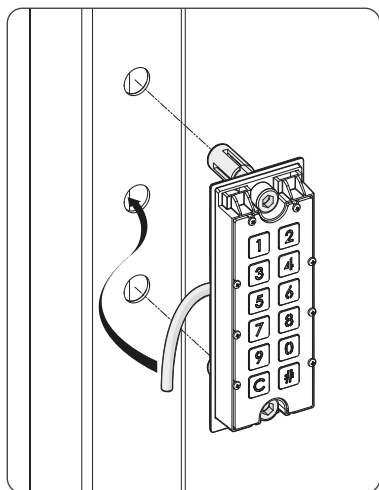
ШАГ 3В

Пропустите кабель через среднее отверстие в стене.



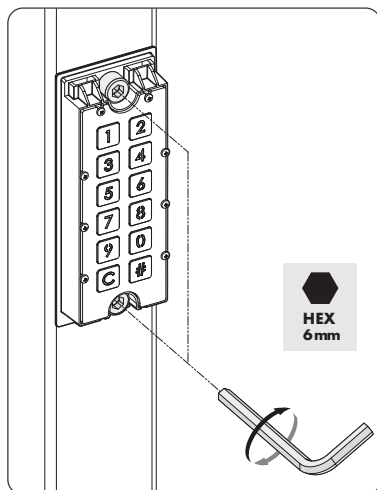
ШАГ 3А

Протяните кабель через среднее отверстие в панели.



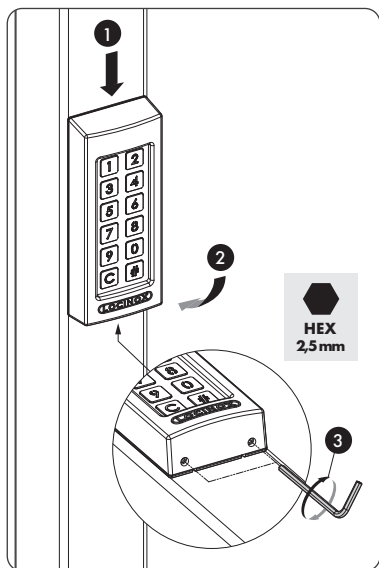
ШАГ 4

Установите SlimStone-2 и затяните оба Quick-Fix.



ШАГ 5

Установите крышку SlimStone-2 и привинтите ее с помощью 2 винтов под ней.



4. РАСПИНОВКА КАБЕЛЯ

SlimStone-2 оснащен 10-проводочным кабелем длиной 2 метра.

См. подробную схему подключения на стр. 118.

Питание

▶ AC1	▶ синий
▶ AC2	▶ коричневый

Реле

▶ Реле 1 COM	▶ черный
▶ Реле 1 NO	▶ оранжевый
▶ Реле 1 NC	▶ красный
▶ Реле 2 COM	▶ черный/синий
▶ Реле 2 NO	▶ оранжевый/синий
▶ Реле 2 NC	▶ красный/синий

Кнопка ручного контроля

▶ брать верх 1	▶ белый
▶ брать верх 2	▶ белый/синий

⚠ Для правильной работы клавиатуры, необходимо по отдельности изолировать неиспользуемые окончания кабеля.

5. ВХОДЫ УПРАВЛЕНИЯ

- Чтобы активировать SlimStone-2, можно подключить кнопку или другой датчик сигнала. Например, домофон, свободный выход, и т.д.
- Для обхода первого реле необходимо соединить нормально-открытым контактом внешней кнопки управления контакт J реле 1 (контакт управления 1) и нулевой провод (источника постоянного тока) или одну из фаз (источника переменного тока).
- Для обхода второго реле необходимо соединить нормально-открытым контактом внешней кнопки управления контакт I реле 2 (контакт управления 2) и нулевой провод (источника постоянного тока) или одну из фаз (источника переменного тока).
- Подключить провода F & G в соответствии со схемой подключения на стр. 118.

⚠ Внимание! Это должен быть обесточенный контакт с функцией замыкания.

- Сигнальный свет подается снизу вверх, когда реле приводится в действие.

6. ПРОГРАММИРОВАНИЕ

6.1 ДОСТУП К РЕЖИМУ ПРОГРАММИРОВАНИЯ

- Нажмите [#] в течение 5 секунд. Затем она замигает.
- Введите контрольный пин-код и нажмите [#]. (Контрольный пин-код по умолчанию 12345.) Если код правильный, то [#] будет светиться, пока активирован режим программирования.
- Если введен неверный контрольный пин-код, происходит немедленный выход из режима программирования, и действует время ожидания, описанное в 7.2.

⚠ Если подсвечена только кнопка [#], вы находитесь в главном меню режима программирования.

⚠ Из соображений безопасности настоятельно рекомендуем изменить контрольный пин-код при первом использовании.


- Выберите нужный номер меню, потом нажмите [#]. Доступны следующие меню:

- [9] ▶ СОЗДАТЬ КОНТРОЛЬНЫЙ ПИН-КОД
- [1] ▶ ДОБАВИТЬ ПИН-КОД
- [3] ▶ УСТАНОВИТЬ ВРЕМЯ ВЫДЕРЖКИ РЕЛЕ 1
- [4] ▶ УСТАНОВИТЬ ВРЕМЯ ВЫДЕРЖКИ РЕЛЕ 2
- [5] ▶ УСТАНОВИТЬ РЕЖИМ ПОДСВЕТКИ

[7] ► НАСТРОЙКА ИМПУЛЬСНОГО ПОВТОРЕНИЯ

[0] ► ЗАВОДСКАЯ ПЕРЕЗАГРУЗКА


Смотрите следующий абзац для подробной информации

 Режим программирования автоматически выключается, если в течение 60 секунд нет ввода.


- Нажмите [C] для перехода в меню выше.
- Нажмите [C] в течение 5 секунд для выхода из режима программирования.

6.2 СОЗДАТЬ КОНТРОЛЬНЫЙ ПИН-КОД [9]

- Войдите в режим программирования (см. 6.1).
- Нажмите [9], потом [#].
- [9] и [#] засветятся.


 По умолчанию контрольный пин-код - 12345. Он должен содержать 5 цифр.

- Введите новый контрольный пин-код, потом нажмите [#]. Повторите этот шаг.
- Если коды совпадают, все кнопки мигнут один раз, подтверждая сохранение пин-кода.
- Вы вернетесь в главное меню.

 Если коды не совпадают или имеют неправильную длину, тогда все кнопки мигнут 3 раза, показывая, что код не сохранился. Попробуйте еще раз. [9] останется подсвеченной.

6.3 ДОБАВИТЬ ПИН-КОД [1]


- Войдите в режим программирования (см. 6.1).


 Можно запрограммировать максимум 100 разных пин-кодов (мин. 4 - макс. 8 цифр).

- Нажмите [1], потом [#].
- [1] и [#] засветятся.
- Введите пин-код и нажмите [#].
- Если код новый, повторите предыдущий шаг.
- Световые индикаторы под кнопками [1] и [2] указывают, какие реле управляются данным кодом.
- Нажатие на кнопки [1] или [2] позволяет выбрать (индикация — постоянное свечение) или отменить выбор (индикация — мигание) соответствующего реле.

- Подтверждение выбора осуществляется нажатием на кнопку [#].


- Вы вернетесь в главное меню режима программирования.


 Если коды не совпадают или имеют неправильную длину, тогда все кнопки мигнут 3 раза, показывая, что код не сохранился. Попробуйте еще раз. [1] останется подсвеченной.


 Код можно удалить, отменив выбор [1] и [2] перед подтверждением

6.4 УСТАНОВИТЬ ВРЕМЯ ВЫДЕРЖКИ РЕЛЕ 1 [3]

- Войдите в режим программирования (см. 6.1).
- Нажмите [3], потом [#].
- [3] и [#] засветятся.
- Введите время (от 1 до 99 секунд), потом нажмите [#].
- Если введенное значение правильное, все кнопки мигнут один раз, подтверждая сохранение настройки.
- Вы вернетесь в главное меню.

 Режим импульса: Если SlimStone-2 используется для контроля автоматизированных систем, то зачастую требуется импульс. Этот режим можно активировать настройкой времени на 0 секунд. Продолжительность импульса - 1000 мс.

 Если введено неверное время, все клавиши мигнут три раза. Меню [3] остается активированным.

 Стандартное заданное время по умолчанию - 8 секунд.

6.5 УСТАНОВИТЬ ВРЕМЯ ВЫДЕРЖКИ РЕЛЕ 2 [4]

- Войдите в режим программирования (см. 6.1).
- Нажмите [4], потом [#]. [4] и [#] загорятся.
- [4] и [#] засветятся.
- Введите время (от 1 до 99 секунд), потом нажмите [#].
- Если введенное значение правильное, все кнопки мигнут один раз, подтверждая сохранение настройки.
- Вы вернетесь в главное меню.

⚠ Режим импульса: Если SlimStone-2 используется для контроля автоматизированных систем, то зачастую требуется импульс. Этот режим можно активировать настройкой времени на 0 секунд. Продолжительность импульса - 1000 мс.

⚠ Если введено неправильное значение, тогда все кнопки мигнут три раза, показывая, что оно не сохранилось. Попробуйте еще раз. [4] останется подсвеченной.

✎ Стандартное заданное время по умолчанию - 8 секунд.

6.6 УСТАНОВИТЬ РЕЖИМ ПОДСВЕТКИ [5]

- Войдите в режим программирования (см. 6.1).
- Нажмите [5], потом [#].
- [5] и [#] засветятся.
- Выбрать предпочитаемый режим работы подсветки:
 - [1] Всегда включена.
 - [2] Автоматическая регулировка яркости задана (по умолчанию): яркость подсветки снижается через 45 секунд после последнего нажатия. После нажатия любой кнопки яркость подсветки на 45 секунд возрастает.
 - [3] Автоматическое выключение: Выключается, если на протяжении 45 секунд нет ввода. После нажатия любой кнопки, подсветка включается еще на 45 секунд.
- Нажмите [1], [2], или [3], потом нажмите [#]. Все кнопки мигнут один раз, подтверждая сохранение настройки.
- Вы вернетесь в главное меню.

⚠ Если введена неправильная цифра, все кнопки мигнут три раза, показывая, что настройка не сохранилась. Попробуйте еще раз. [5] останется подсвеченной.

6.7 НАСТРОЙКА ИМПУЛЬСНОГО ПОВТОРЕНИЯ [7]

Если одно или несколько реле установлены в импульсный режим, дополнительные импульсы можно посылать нажатием на кнопку [#] без повторного введения пин-кода. Данное меню позволяет настраивать длительность интервала повторной отправки импульса.

- Войдите в режим программирования (см. пункт 6.1).
- Нажмите [7], потом [#].

- [7] и [#] засветятся.
- Введите необходимое значение допустимой повторной отправки импульса (в секундах, допустимый диапазон от 0 до 99 с) и нажмите на кнопку [#] (значение 0 с отключает функцию повторной отправки импульса).
- При введении правильного кода загораются все индикаторы, а на экране появляется главное меню.

⚠ При введении неправильного кода все индикаторы мигают три раза. На экране остается открытым меню 7.

✎ По умолчанию функция повторной отправки импульса отключена.

6.8 ОБОГРЕВ КОДОВОЙ ПАНЕЛИ

- Войдите в режим программирования (см. 6.1)
- Нажмите [8], потом [#]
- [8] и [#] засветятся
- Выберите режим обогрева кодовой панели:
 - [1] Обогрев в режиме полной мощности (стандартный): При обогреве кодовой панели потребляется до 12 Вт
 - [2] Обогрев в режиме половинной мощности: Потребляемая мощность для кодовой панели не превышает 6 Вт
 - [3] Без обогрева: Обогрев кодовой панели отсутствует
- Нажмите [1], [2], или [3], потом нажмите [#]. Все кнопки мигнут один раз, подтверждая сохранение настройки.
- Вы вернетесь в главное меню.

⚠ Если коды не совпадают или имеют неправильную длину, тогда все кнопки мигнут 3 раза, показывая, что код не сохранился. Попробуйте еще раз. [8] останется подсвеченной.

6.9 ЗАВОДСКАЯ ПЕРЕЗАГРУЗКА [0]

- Войдите в режим программирования (см. 6.1).
- Нажмите [0], потом [#].
- [0] кратко замигает, указывая, что будет предпринято необратимое действие.
- Введите контрольный пин-код, потом нажмите и удерживайте [#] в течение 2 секунд.
- Когда все кнопки замигают, заводская перезагрузка закончена. Восстановлены все заводские настройки, кроме контрольного пин-кода.

6.10 ЗАВОДСКАЯ ПЕРЕЗАГРУЗКА ПРИ УТРАТЕ КОНТРОЛЬНОГО ПИН-КОДА

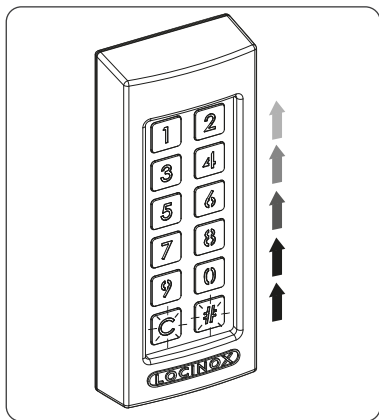
Выполнить перезагрузку без контрольного пин-кода:

- Выключите, затем включите питание.
- Выключите и включите питание, введите заводской Мастер код PIN: „12345“ и подтвердите его в течение 20 секунд, нажимая и придерживая кнопку [#] 2 секунды.
- Заводская перезагрузка закончена. Восстановлены все заводские настройки, включая контрольный пин-код.

7. РАБОТА SLIMSTONE-2

7.1 ВВЕДЕНИЕ ПРАВИЛЬНОГО КОДА


- Введите правильный код (мин. 4 - макс. 8 цифр)
- Нажмите на [#], чтобы подтвердить код.
- Если код относится только к 1 реле, оно сразу активируется.
- Если код относится к обоим реле, 1 и 2, начинают мигать кнопки [1] и [2]. Нажатие на кнопки [1] и/или [2] активирует реле 1 и/или реле 2.
- Сигнальный свет подается снизу вверх, когда реле приводится в действие (стандартное время = 8 секунд).



- Если сигнальный свет погасает, то реле останавливается. Клавиатура SlimStone-2 готова к вводу нового кода.

7.2 ВВЕДЕНИЕ НЕПРАВИЛЬНОГО КОДА

- Введите неправильный код.
- Нажмите на [#], чтобы подтвердить код.
- Освещение клавиатуры мигает в течение 2 секунд, чтобы показать, что был введен неверный код.
- Если ввести неправильный пин-код более пяти раз подряд, SlimStone-2 блокируется на заданное время. Это время определяется так: $2^{\text{[количество неправильных попыток]}}$ секунд
- Например: 6 неправильных попыток дают время ожидания 64 секунды (2^6 секунды).

 Период ожидания сбрасывается при вводе правильного кода или если новый код не был введен в течение 2 часов.

8. ОБСЛУЖИВАНИЕ

- Используйте мягкую тряпочку, увлажненную нейтральным очищающим средством, для чистки корпуса и экрана.
- Никогда не используйте топливо или другие химические средства на устройстве, так как они могут повредить корпус.

9. ОБЩАЯ ИНФОРМАЦИЯ

- Пожалуйста, обращайте внимание на местные предписания о сдаче упаковочного материала и неиспользуемых аппаратов.
- Наш упаковочный материал экологичен. Упаковку можно разделить на два материала: картон (коробка) и полиэстер (буфер).
- Ваш аппарат сделан из материала, поддающегося переработке.

10. ГАРАНТИЯ

На всю электронику действует гарантия 2 года.

11. ПОИСК И УСТРАНЕНИЕ НЕИСПРАВНОСТЕЙ

ПРОБЛЕМА	РЕШЕНИЕ
<ul style="list-style-type: none">• Все кнопки мигают.	<ul style="list-style-type: none">• Если неверный код вводится несколько раз, то работа SlimStone-2 блокируется. См. 7.2.
<ul style="list-style-type: none">• Подсветка SlimStone-2 выключилась после нажатия на клавишу.	<ul style="list-style-type: none">• Проверьте подключение питания.
<ul style="list-style-type: none">• SlimStone-2 не реагирует после ввода кода.	<ul style="list-style-type: none">• Ввод кода всегда нужно подтверждать нажатием на [#].
<ul style="list-style-type: none">• Сигнальный свет не выключается.	<ul style="list-style-type: none">• Убедитесь, что кабели кнопки контроля изолированы.• Возможно, вы установили время в 99 секунд.
<ul style="list-style-type: none">• Подсветка мигает после ввода кода и нажатия на [#].	<ul style="list-style-type: none">• Введенный код не совпадает с запрограммированными кодами. См. 7.2.

12. ЧАСТО ЗАДАВАЕМЫЕ ВОПРОСЫ

RU

ВОПРОС	ОТВЕТ
<ul style="list-style-type: none">• Подогревается ли клавиатура?	<ul style="list-style-type: none">• Да, клавиатура SlimStone-2 оснащена направленным подогревом, который защищает кнопки от замерзания.
<ul style="list-style-type: none">• Погодоустойчива ли клавиатура SlimStone-2?	<ul style="list-style-type: none">• Клавиатура SlimStone-2 разработана в соответствии с нормой IP68.
<ul style="list-style-type: none">• Можно ли использовать SlimStone-2 в сочетании с секционными воротами?	<ul style="list-style-type: none">• Да, установив выдержку реле на 0, подается толчок, с помощью которого можно управлять секционными воротами.



Ненужный аппарат можно вернуть вашему распространителю или отправить назад в Locinox. Цена за переработку € 0,2.

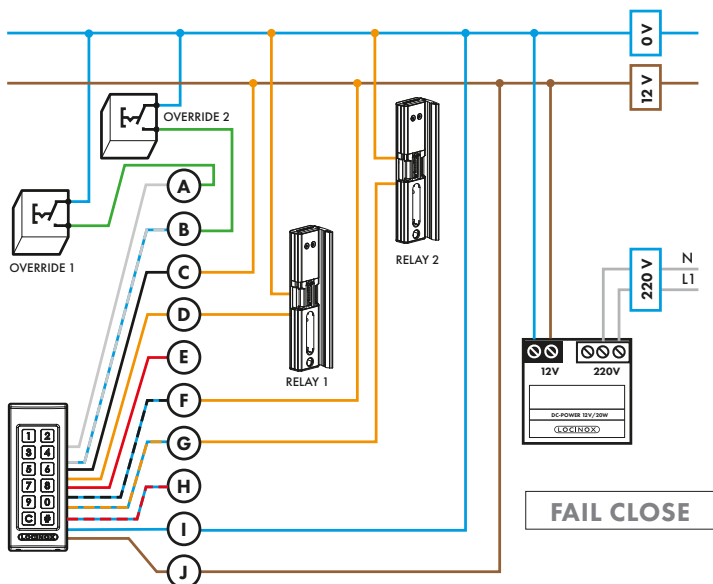


Маркировка WEE на товаре означает, что его нельзя выбрасывать с обычным домашним мусором, а необходимо передать в пункт сбора для переработки ненужных электрических и электронных аппаратов.

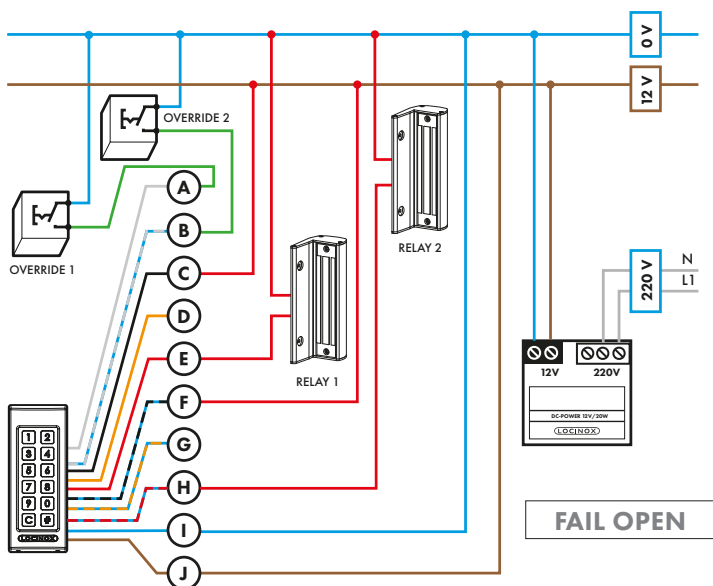


Будучи производителем этого товара, мы гарантируем, что мы приняли все меры, чтобы соблюдать текущие требования безопасности для этого продукта.

CONNECTION SCHEME • AANSLUITSCHAMA • SCHÉMA DE CONNEXION
 VERBINDUNGSSCHHEMA • ESQUEMA DE CONEXIÓN
 SCHEMAT PODŁĄCZENIA • СХЕМА ПОДКЛЮЧЕНИЯ



- (A) Override 1 (D) Normal open relay 1 (G) Normal open relay 2 (J) Power
 (B) Override 2 (E) Normal close relay 1 (H) Normal close relay 2
 (C) Common Relay 1 (F) Common Relay 2 (I) Power





Doc. Nr.: MANU-000401

Locinox nv • Mannebeekstraat 21
B-8790 Waregem • Belgium - Europe
Tel. +32 (0)56 77 27 66
E-mail: locinox@locinox.com

Locinox USA LLC • 460-464 Windy Point Drive
Glendale Heights • IL60139
Tel. 877-LOCINOX • Fax. 708-579-0978
E-mail: salesusa@locinox.com

