

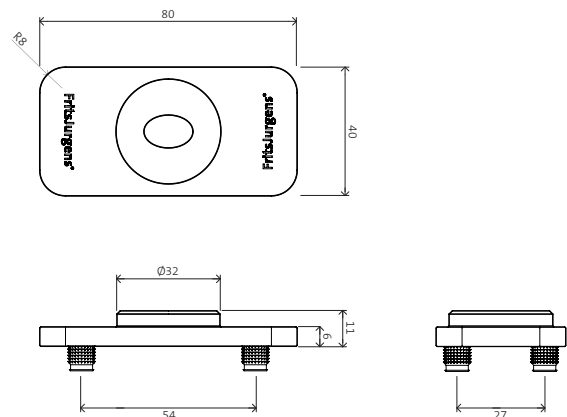
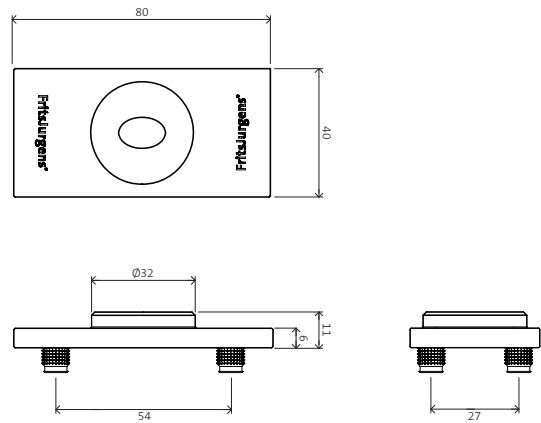
# FritsJurgens®

Floor plate Flush

Note: Floor plate mounting manual does not apply for the floor plate Flush.

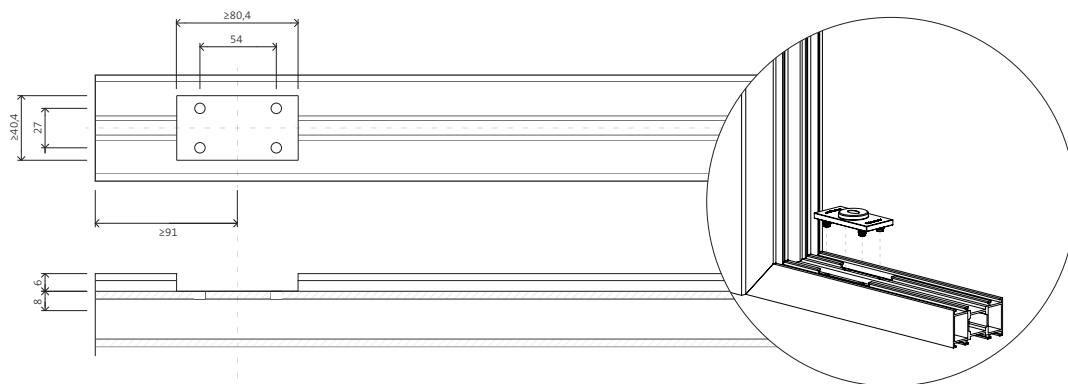
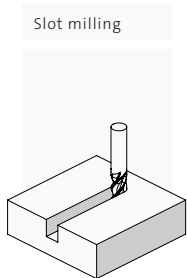
FritsJurgens®  
+31 598 343 410  
info@fritsjurgens.com  
www.fritsjurgens.com

## TECHNICAL DRAWINGS (IN MM)

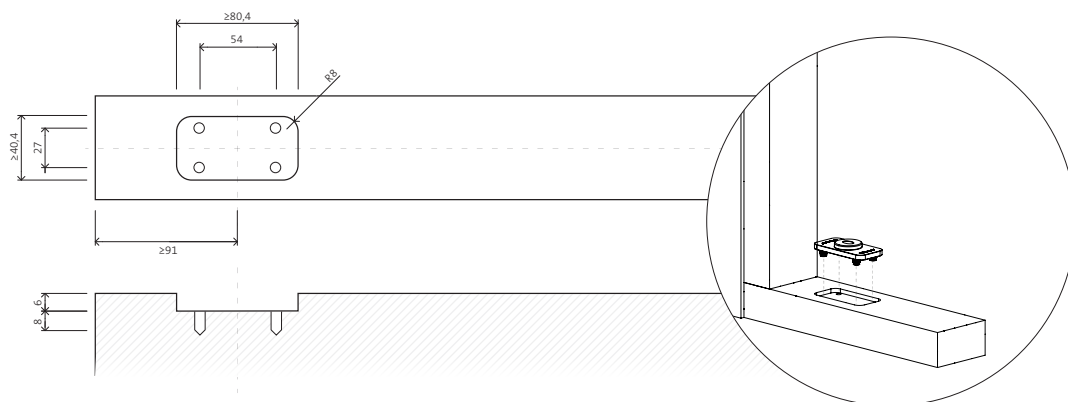
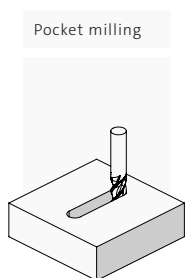


# MILLING DRAWINGS (IN MM)

## Floor plate Flush square



## Floor plate Flush rounded



## Surface drilling

ALUMINIUM SURFACE	WOODEN SURFACE	OTHER SURFACES
Ø 8.0MM (Ø 5/16 IN)	Ø 7.5MM (Ø 19/64 IN)	Ø 8.0MM (Ø 5/16 IN)
8.0MM (5/16 IN)	8.0MM (5/16 IN)	8.0MM (5/16 IN)

## Installing floor plate

