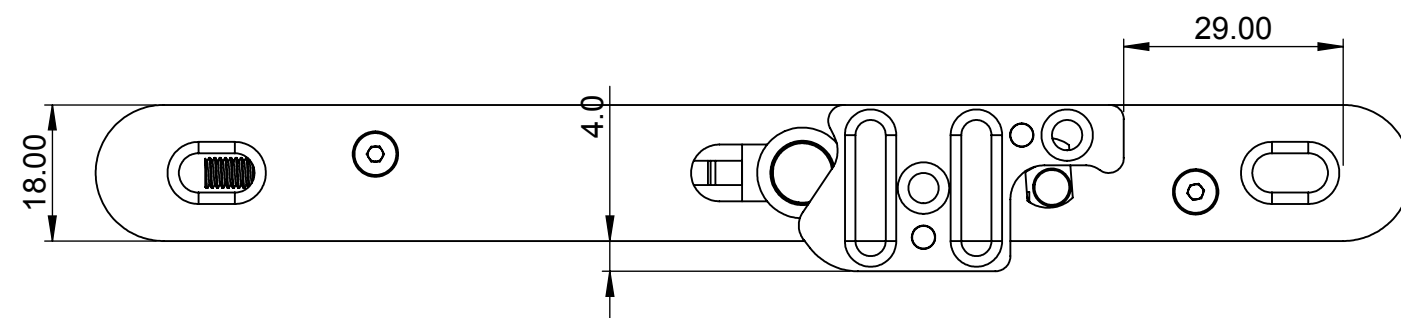
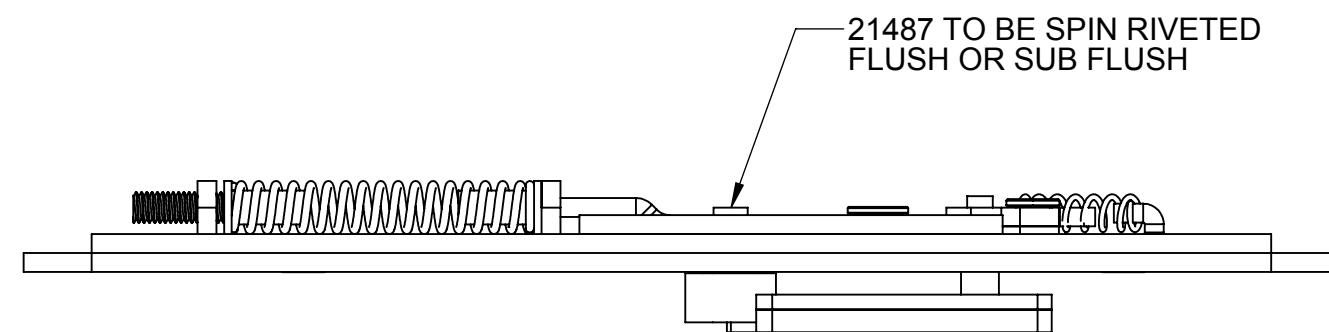
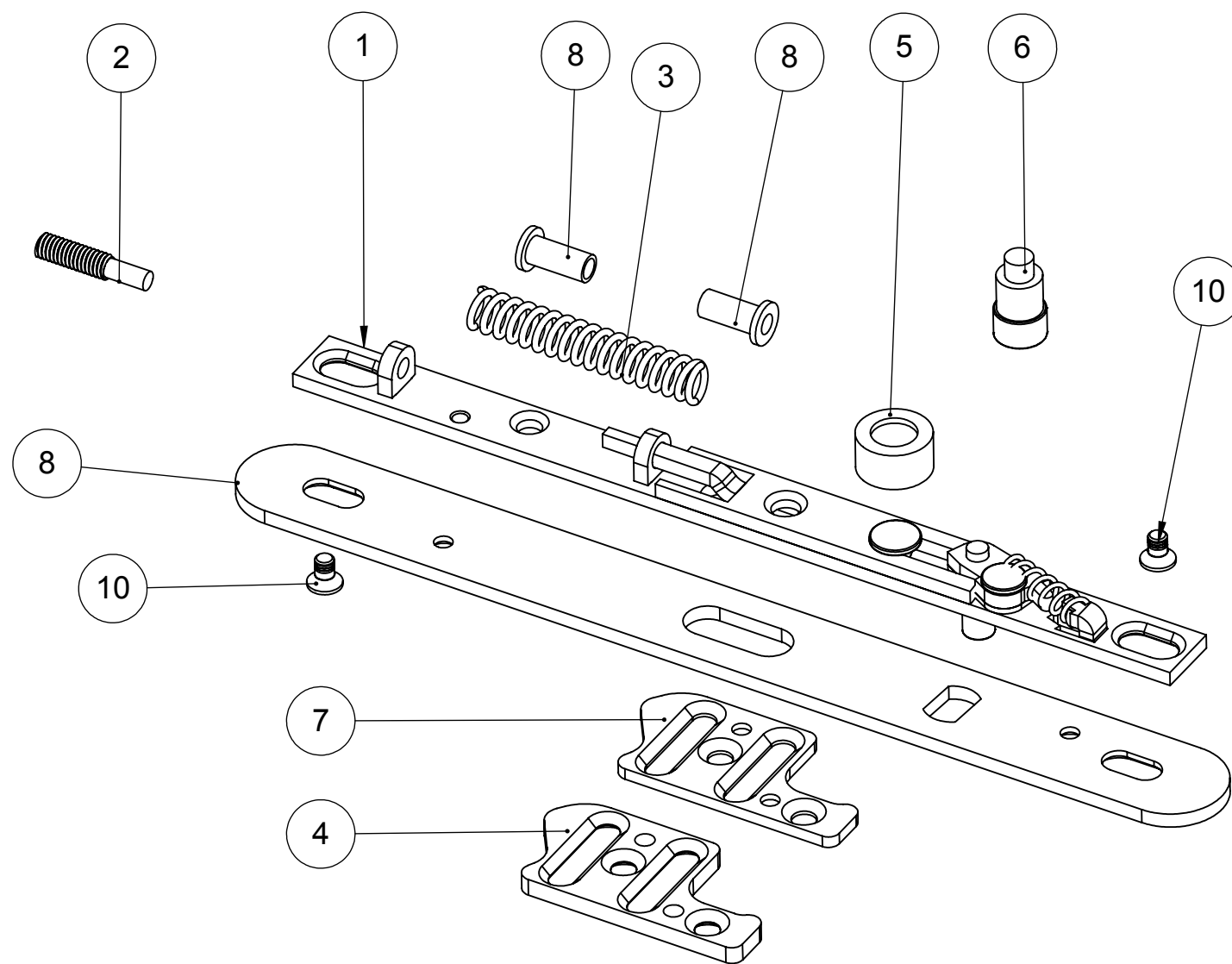


ITEM NO.	PART NUMBER	DESCRIPTION	23182/QTY.
1	22077	BASE PLATE ASSEMBLY	1
2	21485	HEX TENSION ROD	1
3	21486	STAINLESS STEEL ROLLER	1
4	21487	SHOULDER HEX RIVET - D	1
5	21493	COMPRESSION SPRING 6	1
6	21495	KEEP TOP PLATE	1
7	21496	KEEP BOTTOM PLATE	1
8	23178	18mm ROUND END FACEPLATE	1
9	22078	SPRING WASHER	2
10	M3 x 5 CSK SCREW		2



62.283.37

模具制造用图 ISSUED FOR TOOLING	
TO	TSA
DATE	06/12/2016
SIGN	I. SANGHA

DO NOT SCALE - IF IN DOUBT ASK	
○ DENOTES CRITICAL DIMENSION	
PROJECT CODE:	DL-070 <small>(REFER TO SPECIFICATION)</small>
MATERIAL:	N/A <small>(REFER TO SPECIFICATION)</small>
FINISH:	SEE PART DRAWINGS
VOLUME:	N/A
WEIGHT:	

STRAIGHT ROAD, SHORT HEATH
WILLENHALL, WEST MIDLANDS, WV12 5RA
TEL: 01922 490049 FAX: 01922 490047

TITLE:	SYRING ECO-LOCK 18mm ROUND END ASSEMBLY	
DRAWN BY:	IS	UNSPECIFIED TOL'S LIN ±0.10 ANG ±1.0°
DATE:	12/06/2016	
SCALE:	1:2	DRAWING No. 23182
SPEC CODE:	REV	
	01	

01	TOOLING ISSUE	06/12/2016	IS
REV	MODIFICATION	DATE	BY