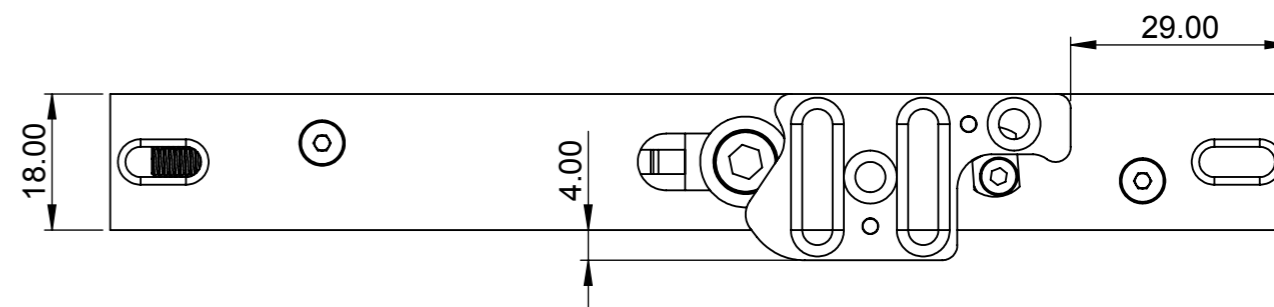
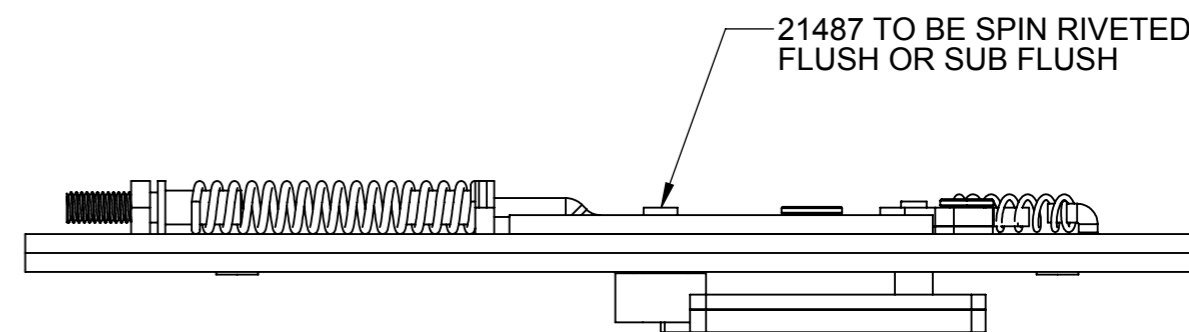
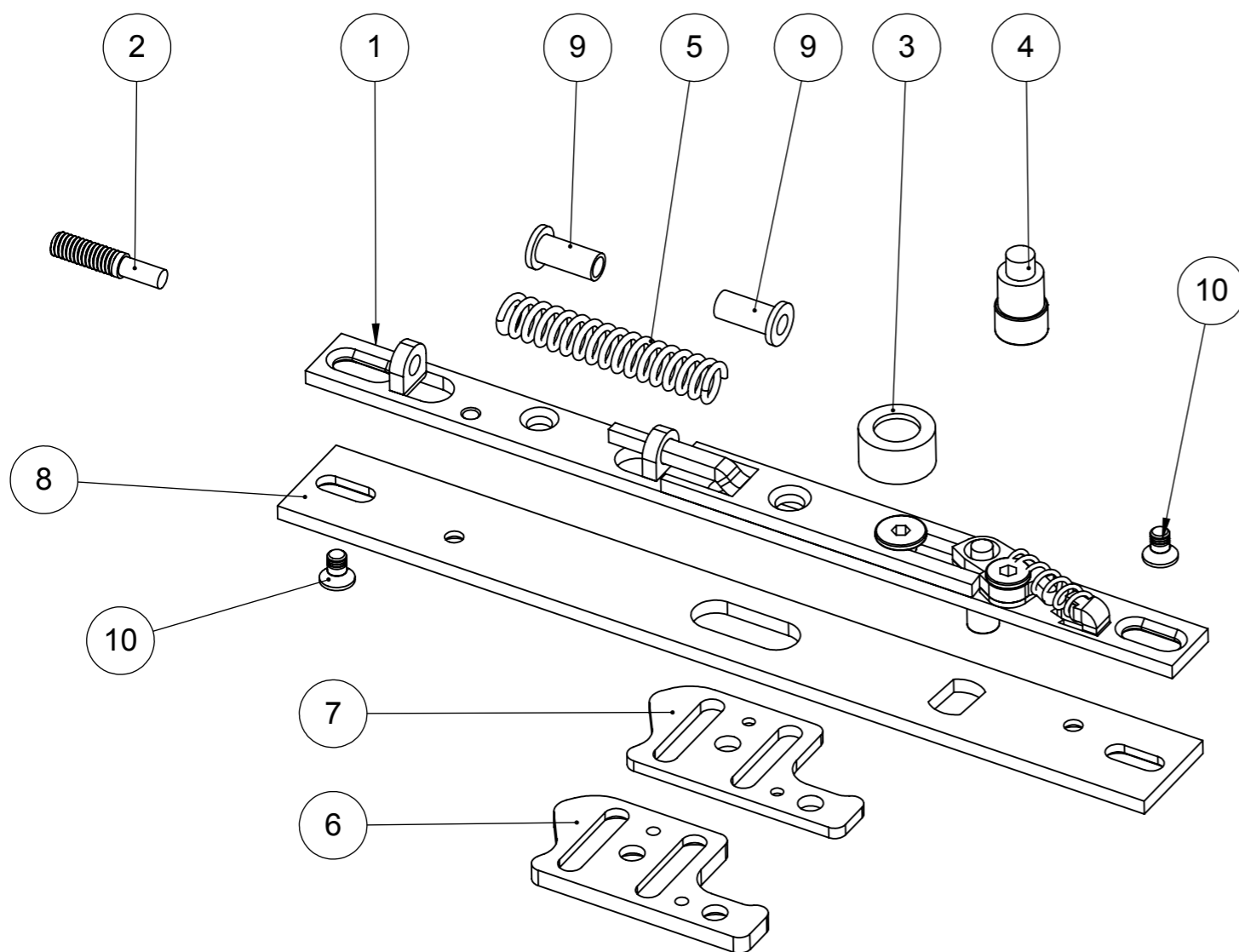


ITEM NO.	PART NUMBER	DESCRIPTION	21512/QTY.
1	22077	BASE PLATE ASSEMBLY	1
2	21485	HEX TENSION ROD	1
3	21486	STAINLESS STEEL ROLLER	1
4	21487	SHOULDER HEX RIVET - D	1
5	21493	COMPRESSION SPRING 6	1
6	21495	KEEP TOP PLATE	1
7	21496	KEEP BOTTOM PLATE	1
8	21499	18mm FACEPLATE	1
9	22078	SPRING WASHER	2
10	ISO 10642 - M3 x 5--- 8S	M3 x 5mm HEX CSK SCREW	2



模具制造用图 ISSUED FOR TOOLING	
TO	TSA
DATE	29/06/2016
SIGN	I. SANGHA

DO NOT SCALE - IF IN DOUBT ASK	
○ DENOTES CRITICAL DIMENSION	
PROJECT CODE:	DL-070 <small>(REFER TO SPECIFICATION)</small>
MATERIAL:	N/A <small>(REFER TO SPECIFICATION)</small>
FINISH:	SEE PART DRAWINGS
VOLUME:	N/A
WEIGHT:	

STRAIGHT ROAD, SHORT HEATH
WILLENHALL, WEST MIDLANDS, WV12 5RA
TEL: 01922 490049 FAX: 01922 490047

TITLE:	SYRING ECO-LOCK 18mm SYRING ASSEMBLY	
DRAWN BY:	IS	UNSPECIFIED TOL'S LIN ±0.10 ANG ±1.0°
DATE:	29/06/2016	
SCALE:	1:2	
SPEC CODE:	REV	DRAWING No.
	01	21512

62.283.25

01	TOOLING ISSUE	29/06/2016	IS
REV	MODIFICATION	DATE	BY