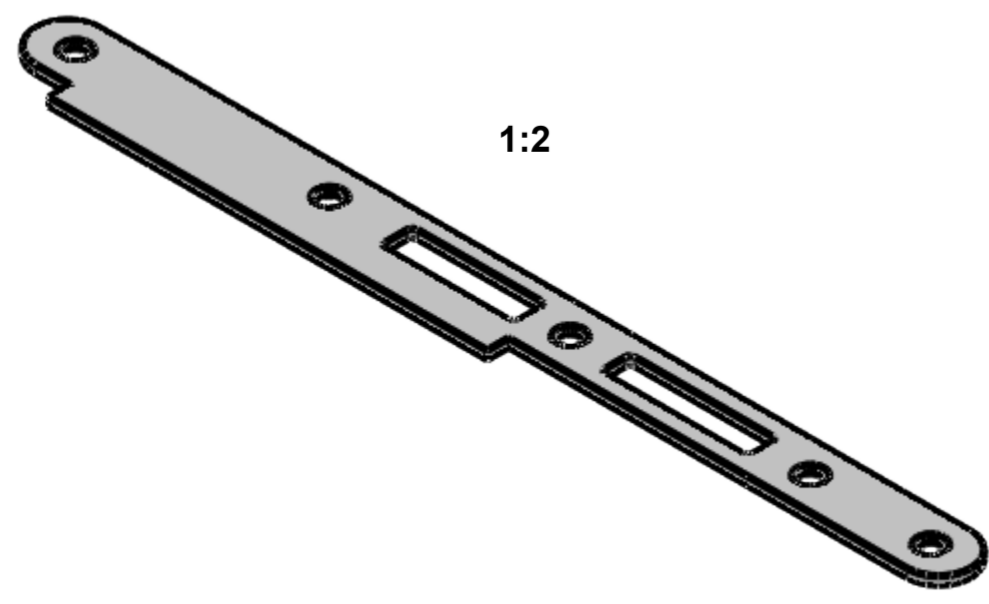
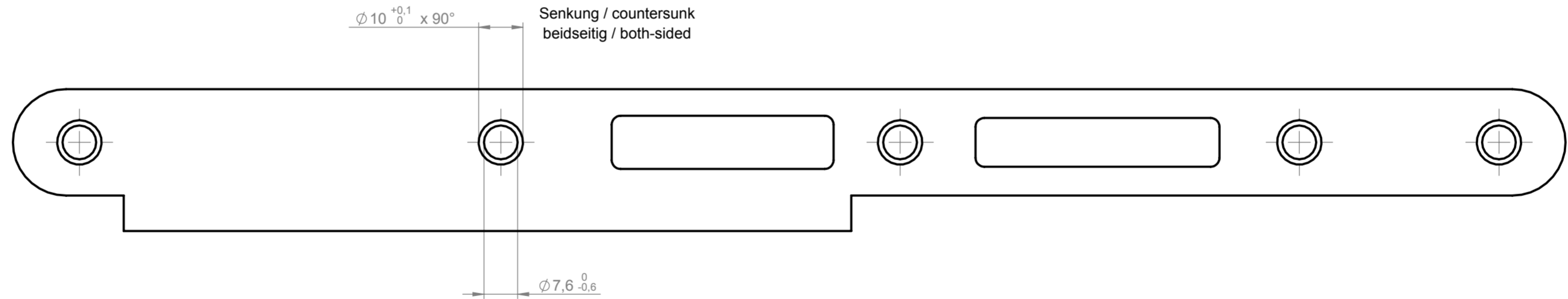
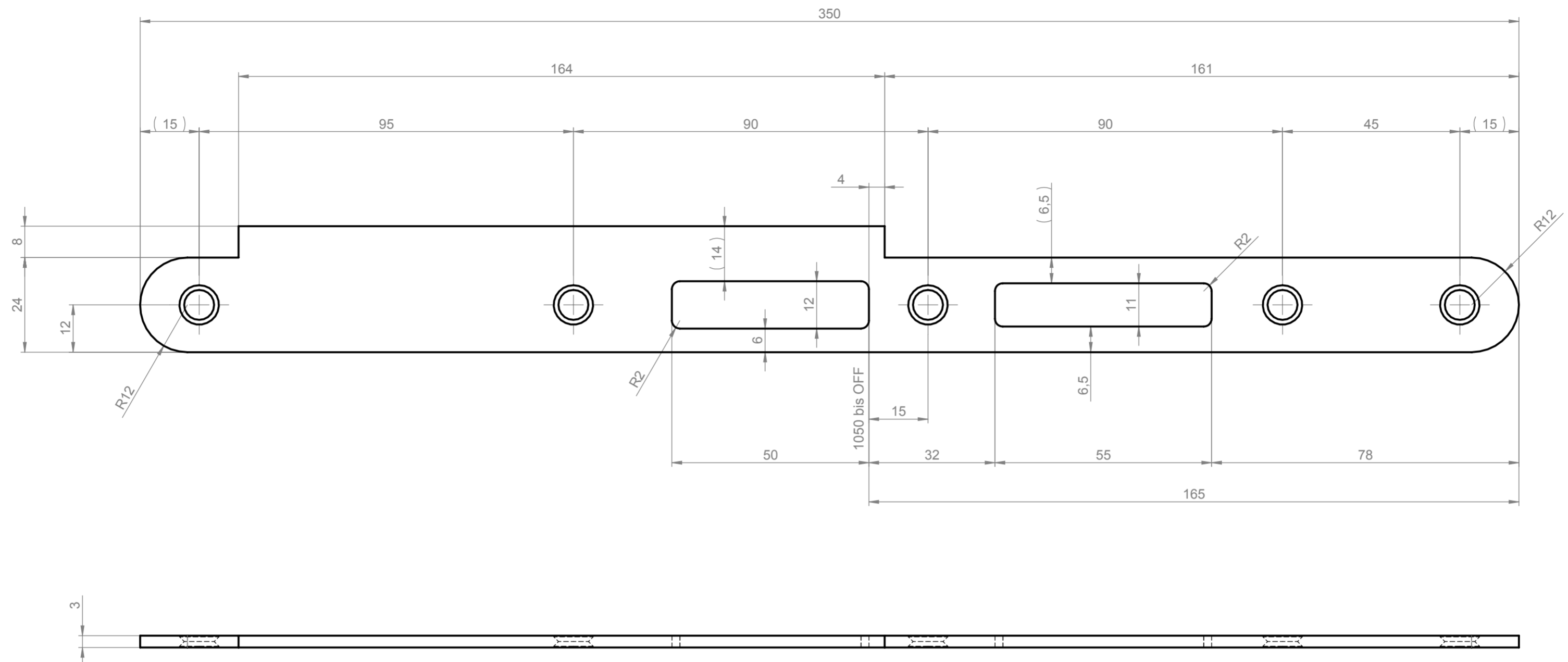


This work is copyright and no part may be reproduced, by any process, nor may any other exclusive right be exercised without the permission of ASSA ABLOY.



Maßzeichnung			
State	Description	Date	Name
	Schliessblech 8_24x3x350		
Surface:		Material:	General tolerance:
Volume:	Weight:	Surface area:	Created (YYYY-MM-DD): 2017-04-20
Designed by: gergon		Drawn by: gergon	Scale: 1:1 (A2)
ASSA ABLOY ASSA ABLOY Sicherheitstechnik GmbH		Strike plate strike plate	Projection: Alternate ID: 509ZBS0353SBL01-1000 Document ID: D000702653-001 Rev.: 1