



**01** Einbau Scharnierarm / Mounting of hinge arm



**02** Ausbau Scharnierarm / Demounting of hinge arm



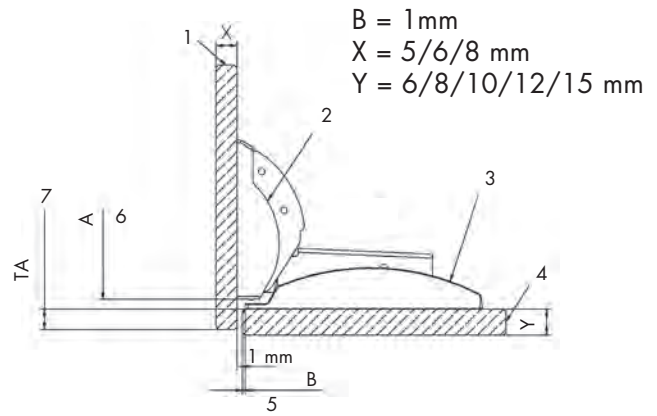
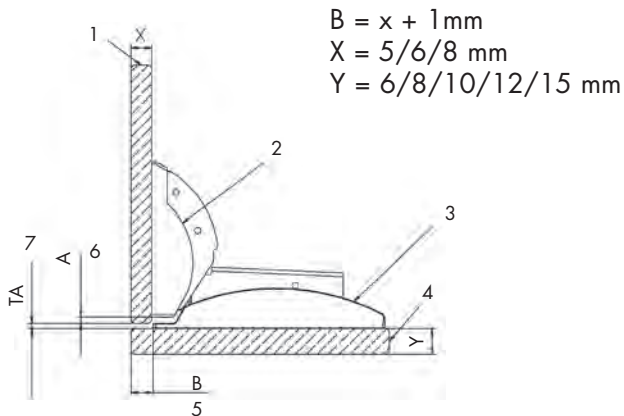
|                                      |    |                                  |    |   |    |
|--------------------------------------|----|----------------------------------|----|---|----|
| Verpackungsinhalt/Contents           |    | Scharnierarm / Hinge             | 1x | Topfplatte CRISTALLO /<br>Bonding plate<br>cabinet body | 1x |
| Klebeadapter /<br>Bonding plate door | 1x | Dämpfersystem /<br>Damper system | 1x |   |    |

OPO 55.501.01

## 03 Klebposition Türaufschlag/Türadapter Bonding position Door Adaptor

Einliegende Tür / Flush mounted door

Aufliegende Tür / Surface mounted door



Glas-Glas / Glass-Glass

|  |    |      |    |      |    |      |    |      |    |      |
|--|----|------|----|------|----|------|----|------|----|------|
| ca. Türaufschlag TA<br>distance door body DB | -6 | -5,5 | -5 | -4,5 | -4 | -3,5 | -3 | -2,5 | -2 | -1,5 |
| Klebmass A<br>dim. for bond A                | 0  | 0,5  | 1  | 1,5  | 2  | 2,5  | 3  | 3,5  | 4  | 4,5  |

Glas-Glas / Glass-Glass

|  |   |     |   |      |    |      |    |      |
|--|---|-----|---|------|----|------|----|------|
| ca. Türaufschlag TA<br>distance door body DB | 0 | 1,5 | 3 | 4,5  | 6  | 7,5  | 9  | 10,5 |
| Klebmass A<br>dim. for bond A                | 6 | 7,5 | 9 | 10,5 | 12 | 13,5 | 15 | 16,5 |

|   |  |
|---|--|
| 1 | Glas-Tür / Glass door  |
| 2 | Topfplatte Tür L/B/H = 60/28/16 / Bonding plate for door L/W/H = 60/28/16            |
| 3 | Topfplatte Korpus L/B/H = 90/28/16 / Bonding plate for cabinet body L/W/H = 90/28/16 |
| 4 | Glas-Korpus / Glass body   |
| 5 | Klebposition: Topfplatte Korpus / Bonding position: Bonding plate for cabinet body   |
| 6 | Klebposition: Topfplatte Tür / Bonding position: Bonding plate for door              |
| 7 | Türaufschlag / Distance door to body   |

Gewichtstabelle Scharniere / Weight table hinges

A = Anzahl Scharniere / Number of hinges  
 B = Fronthöhe (mm) / Front height (mm)  
 C = kg

