



E-Verso

<http://support.kesseboehmer.de/everso>

4025500000

12.0001.010.329

HDE 16.08.2012

Component List:

- A: Main handle assembly
- B: Secondary handle
- C, D: Trigger components
- E 2x: Trigger housing
- F 2x: Trigger buttons
- G 2x: Trigger mechanism
- H: Pin
- I 2x: Trigger caps
- J 2x: Trigger housing parts
- K 2x: Screws
- L 4x: Screws
- M: Cables
- N: Cable with connector
- O: Cable with connector
- P: Disc
- Q 10x: Screws
- R: Connector
- S: Control unit
- T: Bag of screws
- V: Trigger shaft
- W 2x: Trigger housing


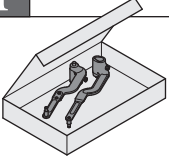

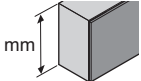





Inset Box 1 (V): + [Screwdriver icon] V

Inset Box 2 (W): + [Screwdriver icon] W 2x, 14x M4 x 8 DIN 965


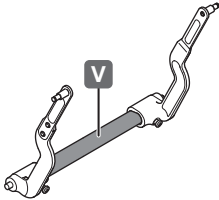
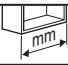
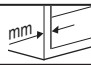
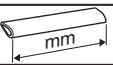
Inset Box 3 (O): + [Screwdriver icon] O

Part List:

- CH 271539
- GB 271147
- DK on request
- IT on request

  	 mm	 Kg max !	 E-Verst.		
			EU (CE)	USA (UL)	AUS (UL)
  	420	2,0 - 5,0 kg	271586	on request	on request
		4,0 - 9,0 kg	271587	on request	on request
		6,0 - 12,0 kg	271588	on request	on request
		10,0 - 18,0 kg	271589	on request	on request
	500	2,0 - 4,5 kg	271586	on request	on request
		4,0 - 8,0 kg	271587	on request	on request
		6,0 - 14,0 kg	271588	on request	on request
		8,0 - 16,0 kg	271589	on request	on request
	600	2,0 - 4,5 kg	271586	on request	on request
		4,0 - 8,0 kg	271587	on request	on request
		6,0 - 11,0 kg	271588	on request	on request
		8,0 - 15,0 kg	271589	on request	on request
	700	3,5 - 6,5 kg	271587	on request	on request
		6,0 - 10,0 kg	271588	on request	on request
		8,5 - 14,0 kg	271589	on request	on request
	800	3,0 - 5,5 kg	271587	on request	on request
5,0 - 9,5 kg		271588	on request	on request	
8,0 - 12,0 kg		271589	on request	on request	

4025500000

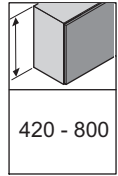
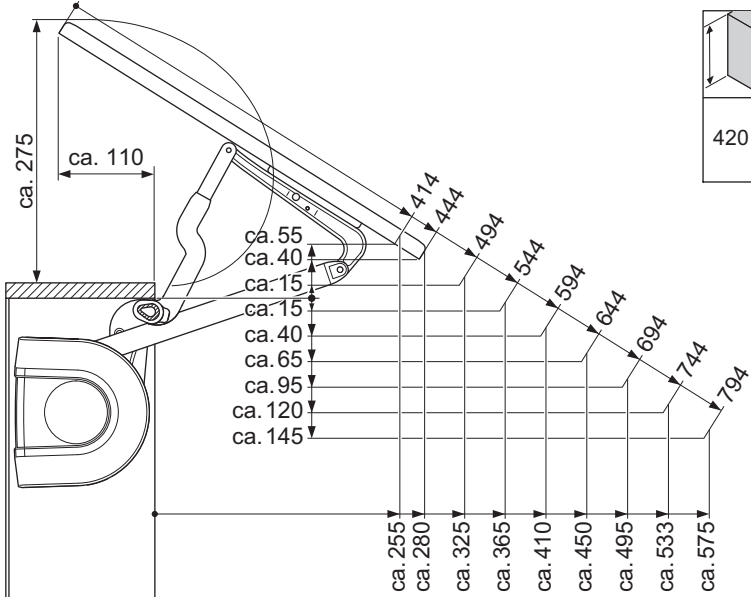
 	 mm	 mm	 mm	
	600	16	19	477
19				
900	16	19	777	271115
	19			
1200	16	19	1077	271121
	19			
1500	16	19	1377	271127
	19			
1800	16	19	1677	271128
	19			

12.0001.010.329

HDE 16.08.2012

i

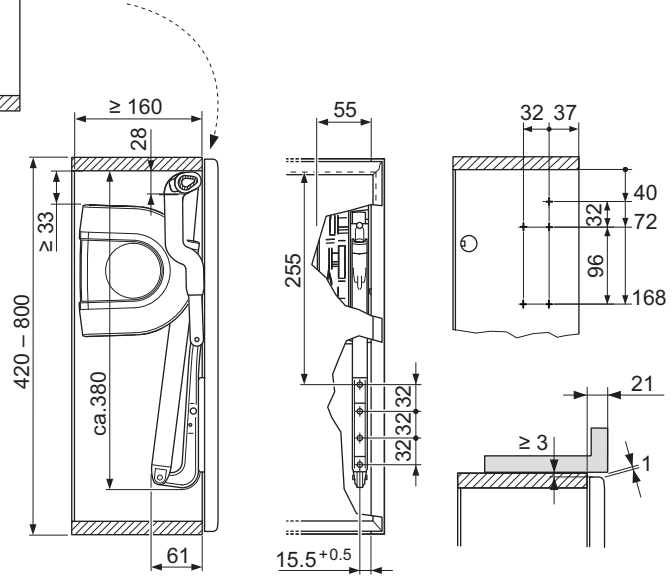
mm



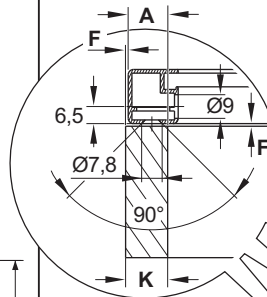
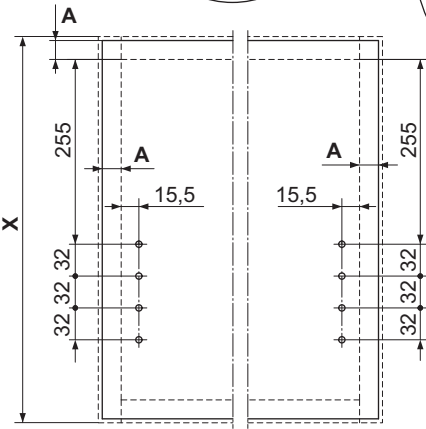
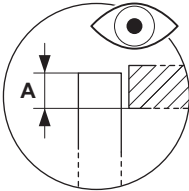
4025500000

12.0001.010.329

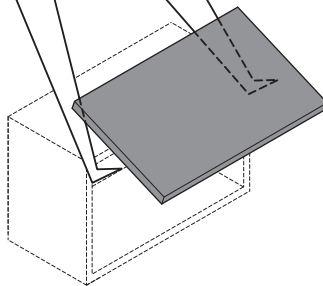
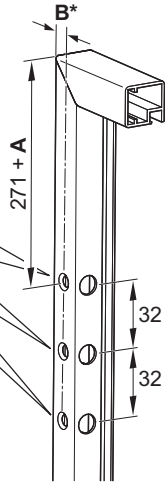
HDE 16.08.2012



1



$$* B = K - F - 5,5$$

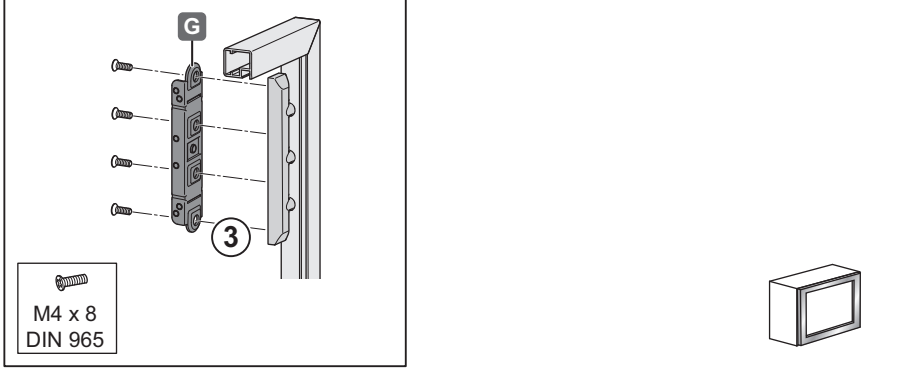
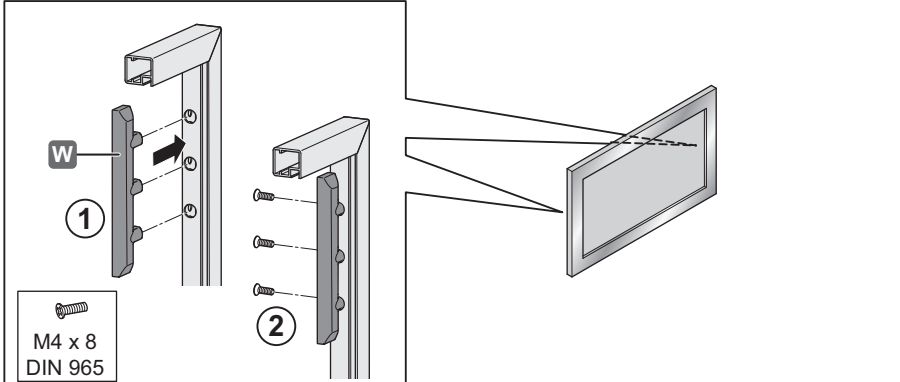
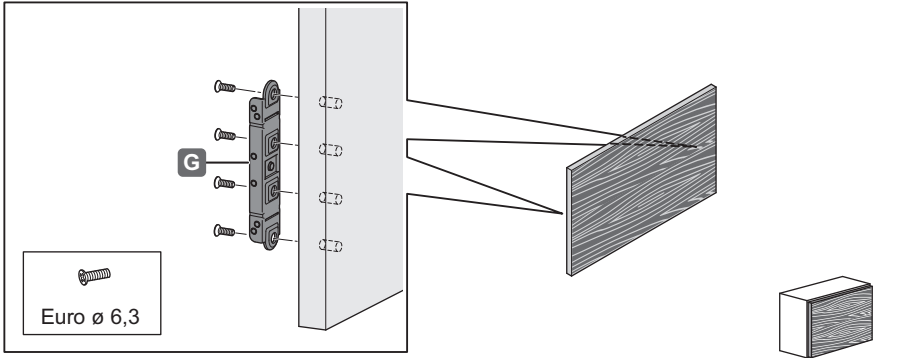


4025500000

12.0001.010.329

HDE 16.08.2012

2

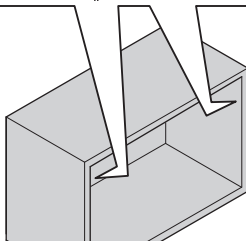
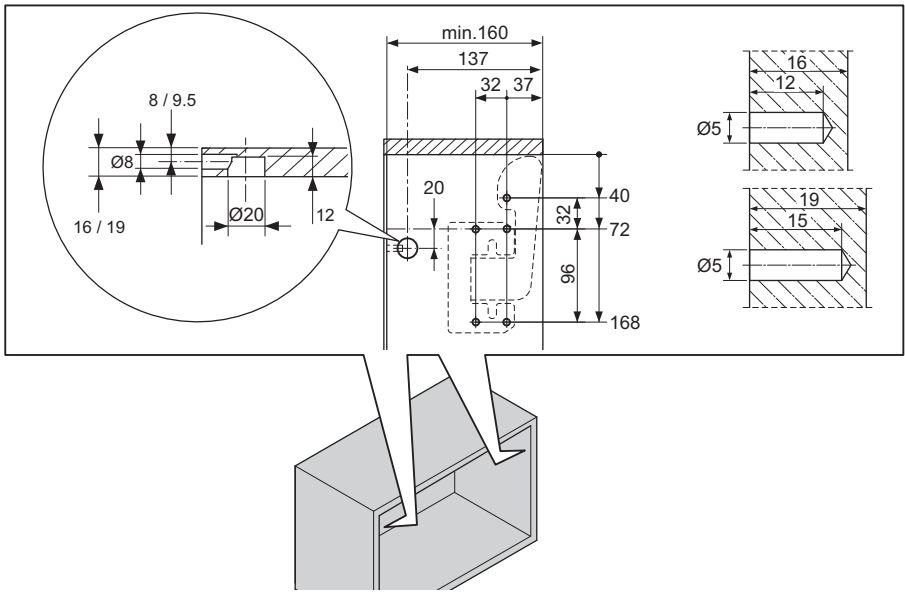


4025500000

12.0001.010.329

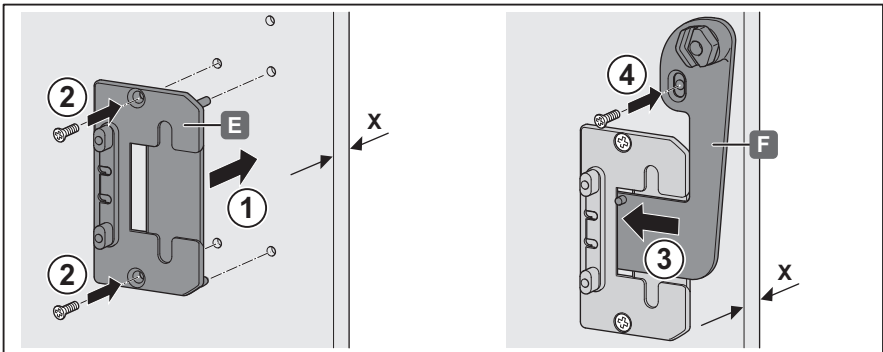
HDE 16.08.2012

3

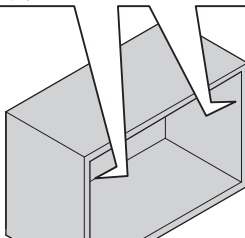


402550000

4



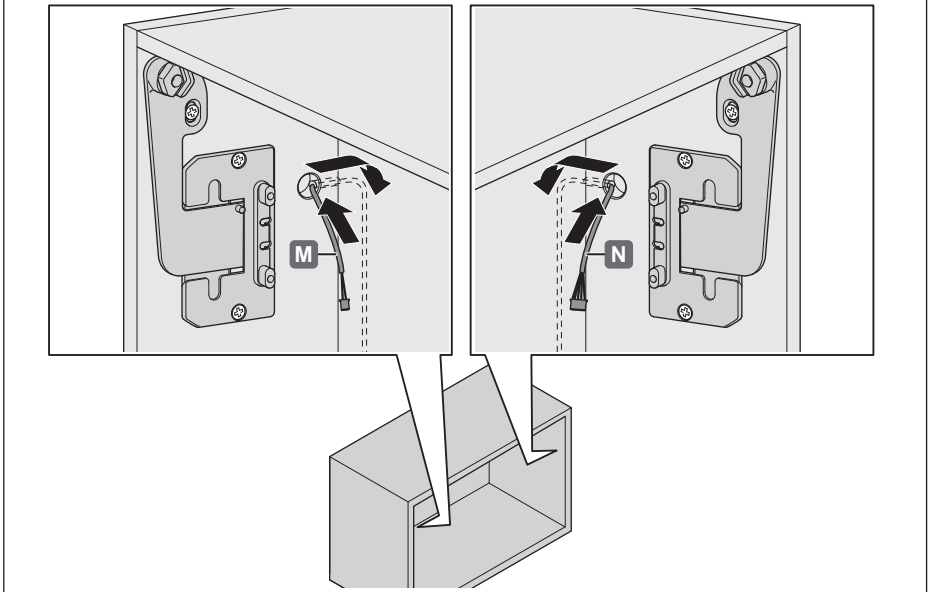
X	
16	Euro \varnothing 6 x 12
19	Euro \varnothing 6 x 16



12.0001.010.329

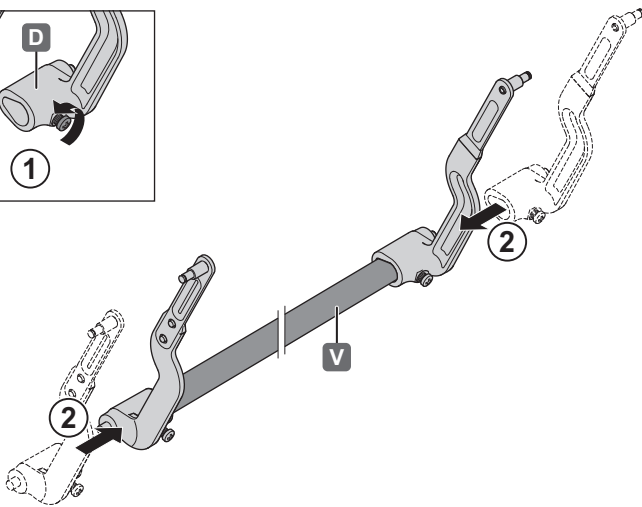
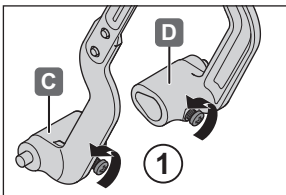
HDE 16.08.2012

5



4025500000

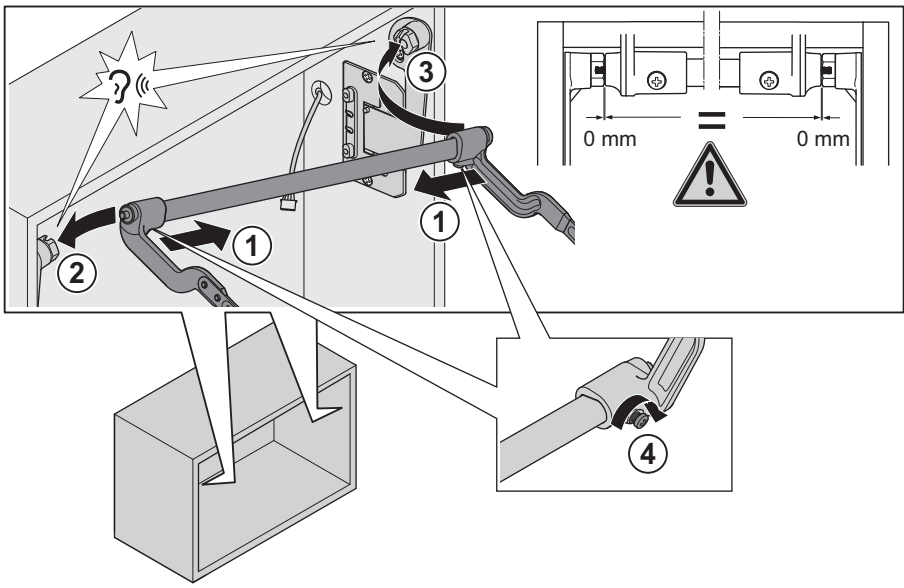
6



12.0001.010.329

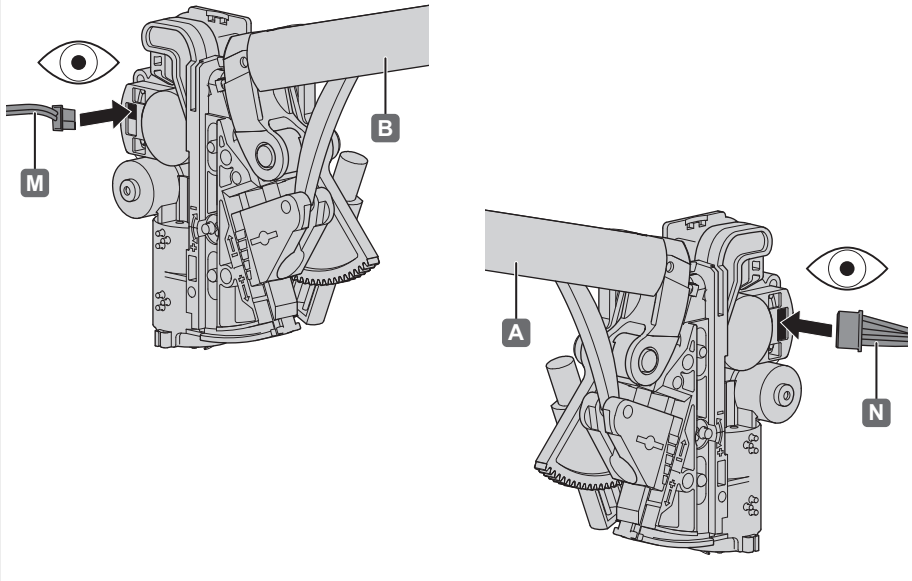
HDE 16.08.2012

7



4025500000

8



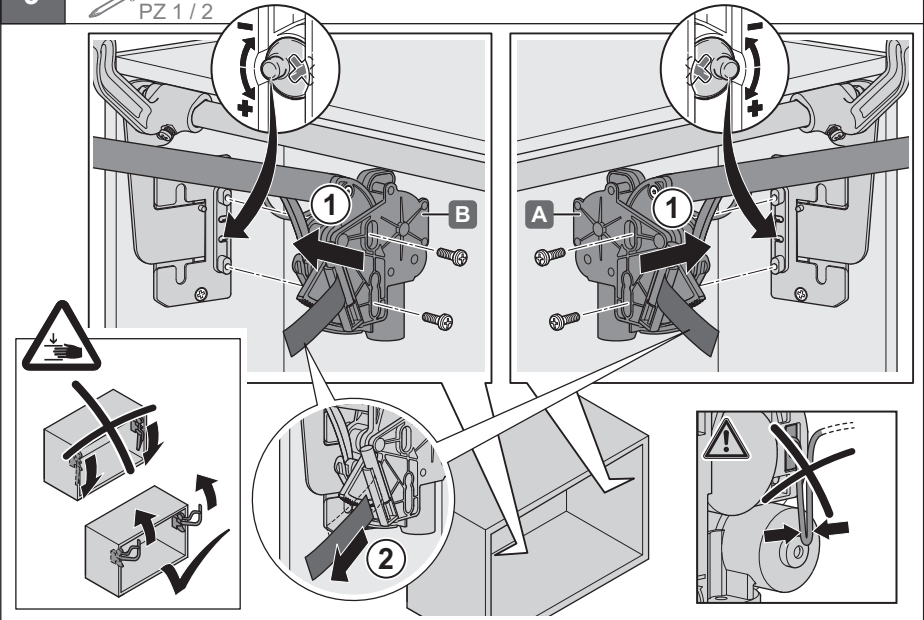
12.0001.010.329

HDE 16.08.2012

9

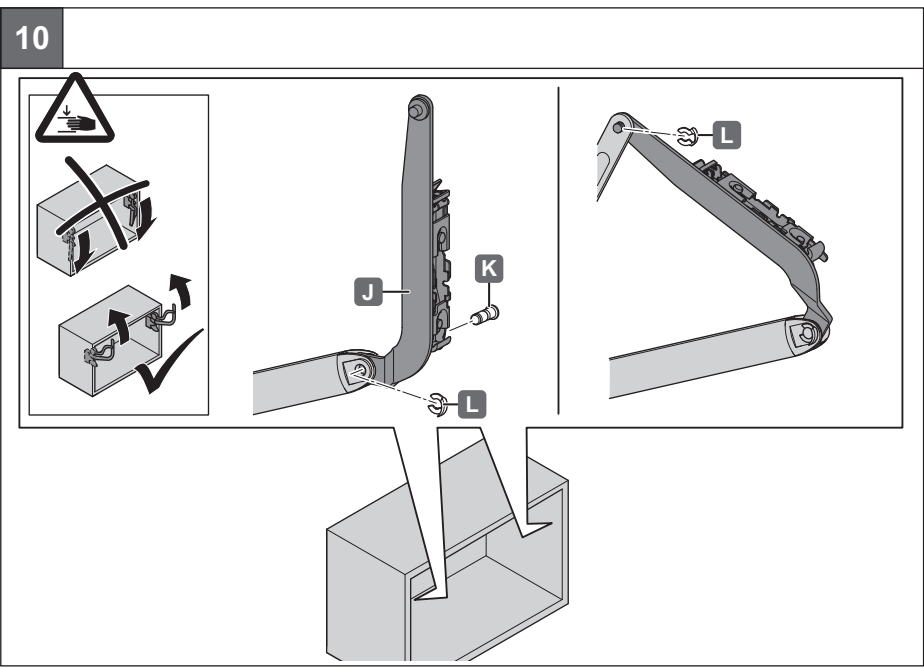


PZ 1/2



4025500000

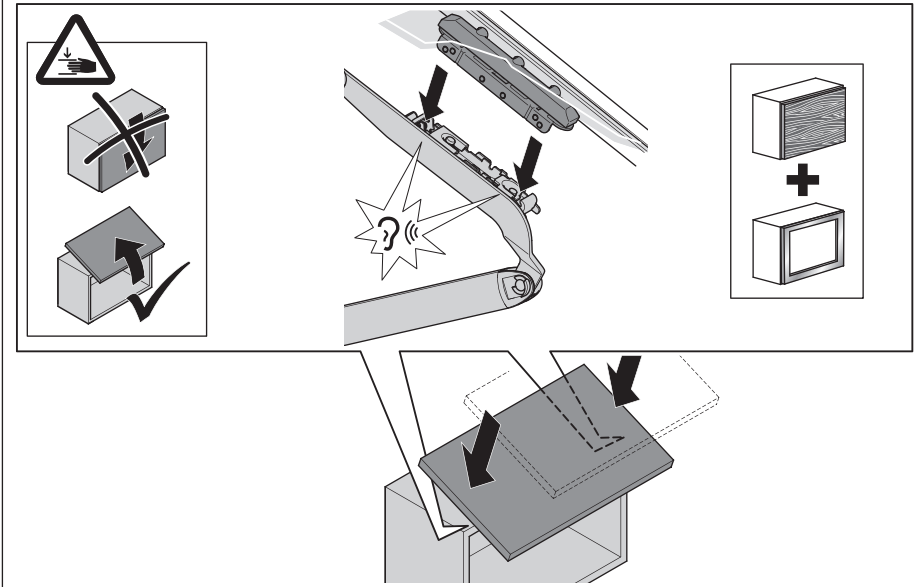
10



12.0001.010.329

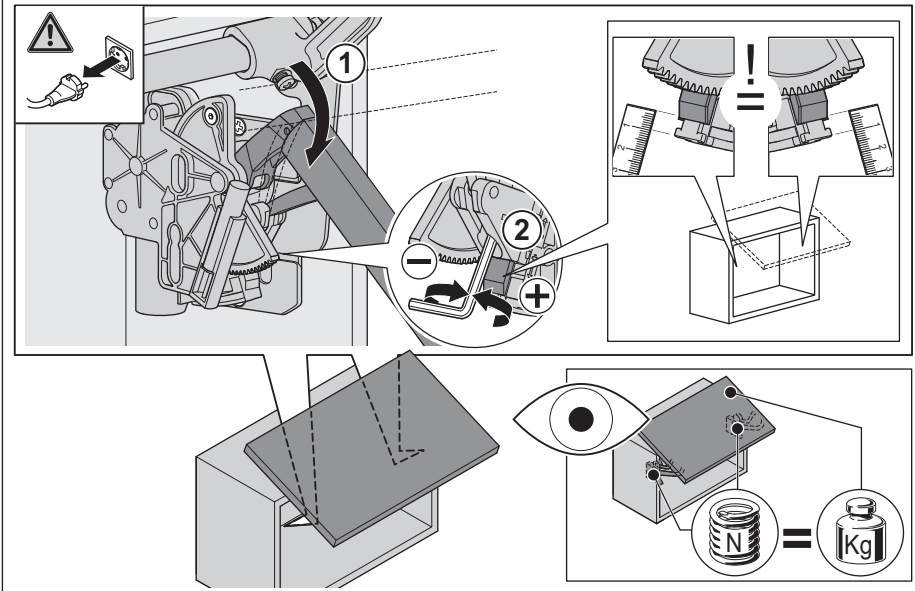
HDE 16.08.2012

11



4025500000

12



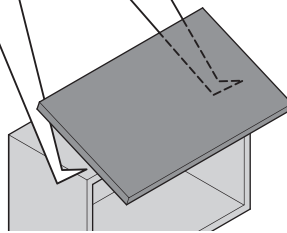
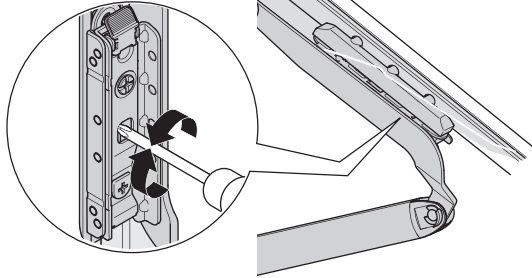
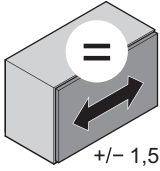
12.0001.010.329

HDE 16.08.2012

13



PZ 1/2

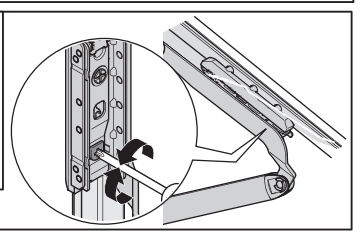
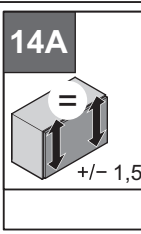
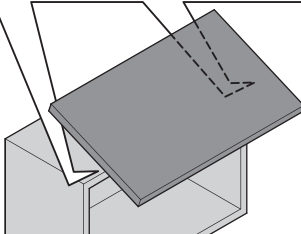
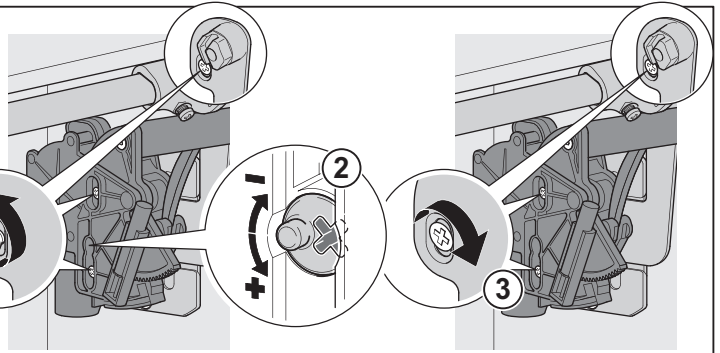
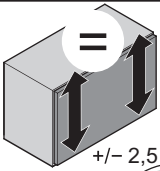


4025500000

14

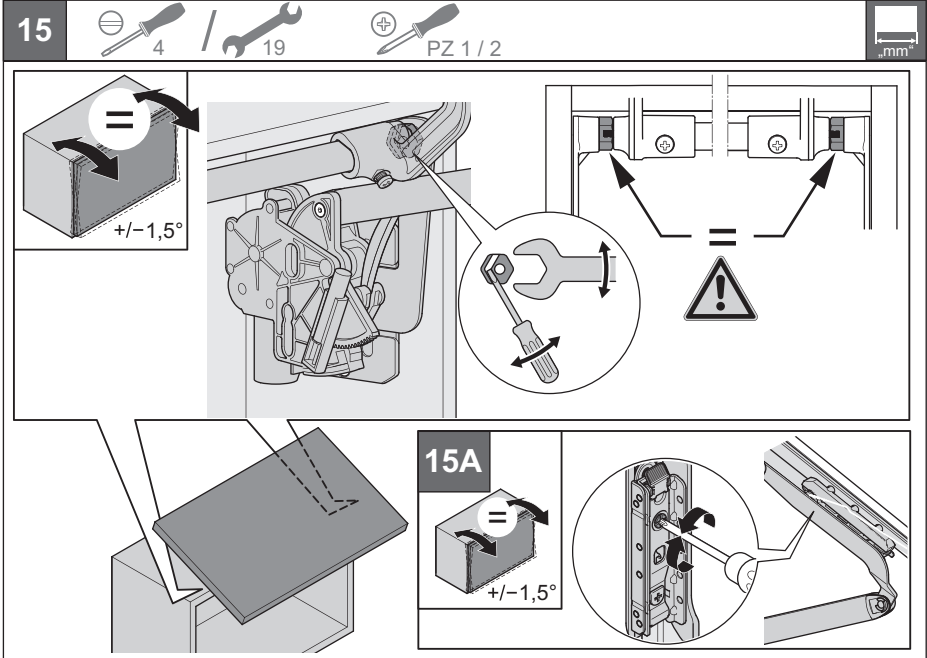


PZ 1/2

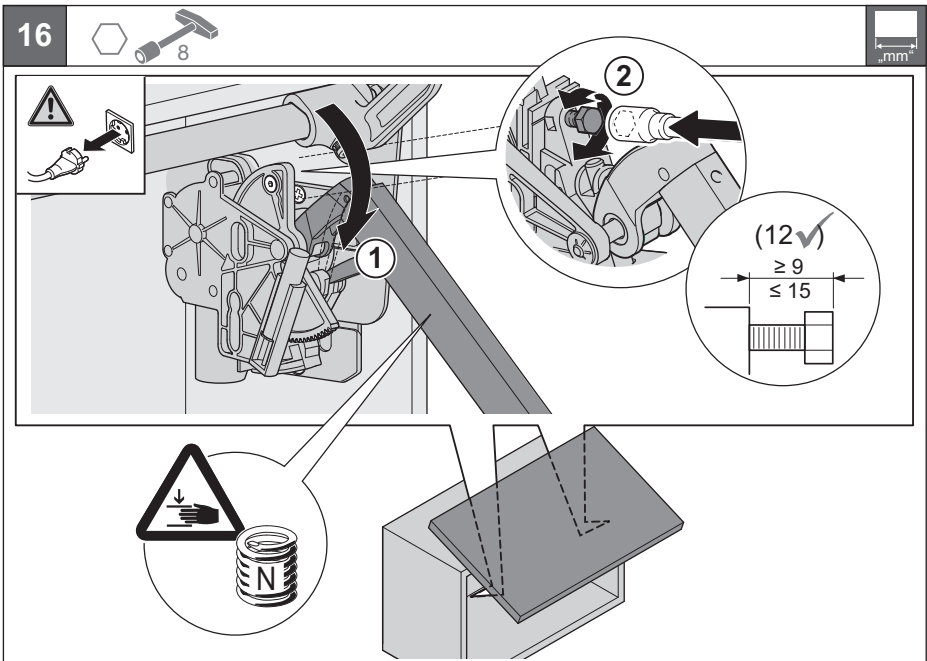


12.0001.010.329

HDE 16.08.2012



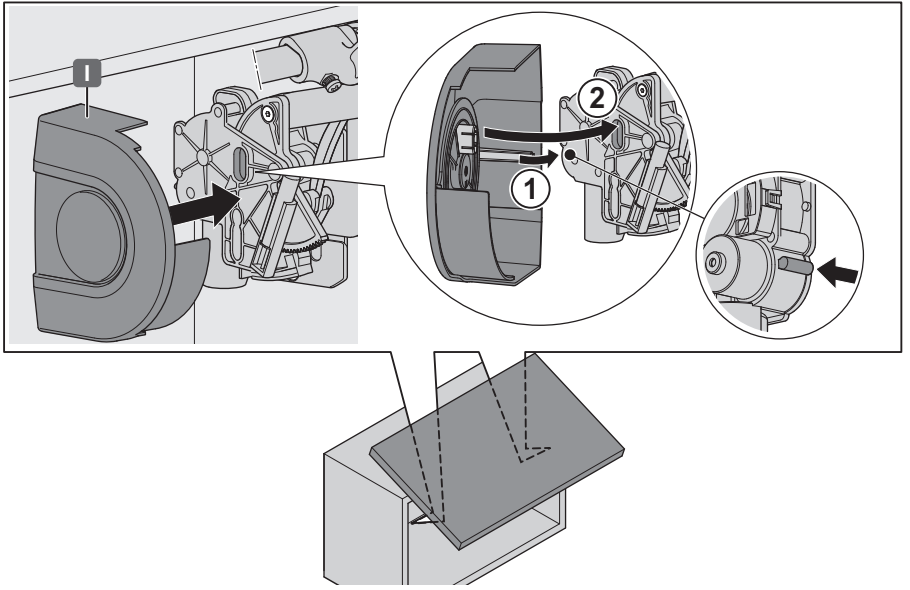
4025500000



12.0001.010.329

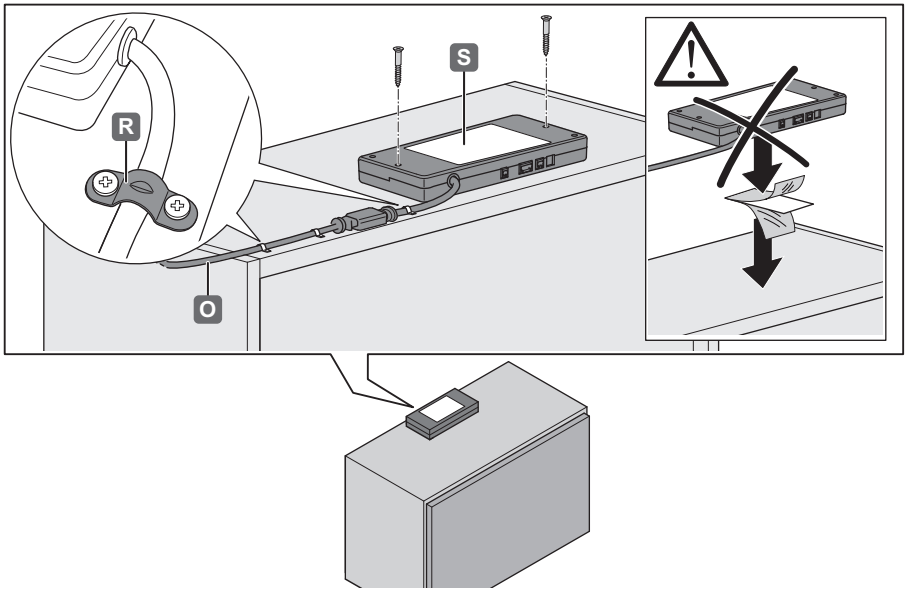
HDE 16.08.2012

17



4025500000

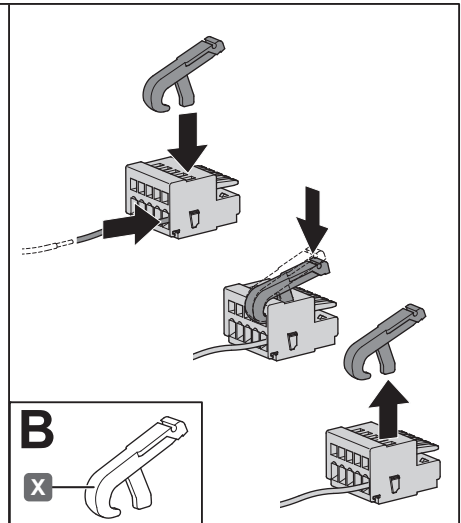
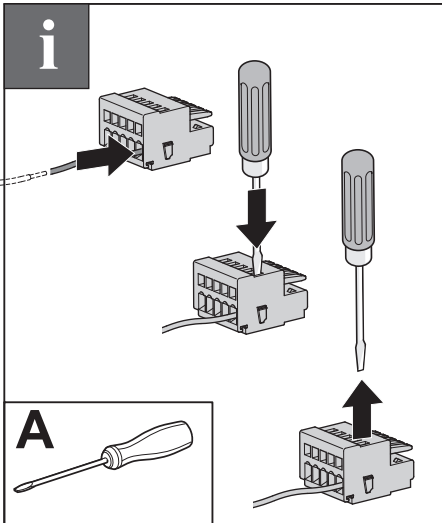
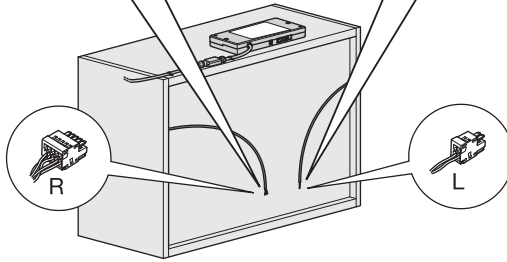
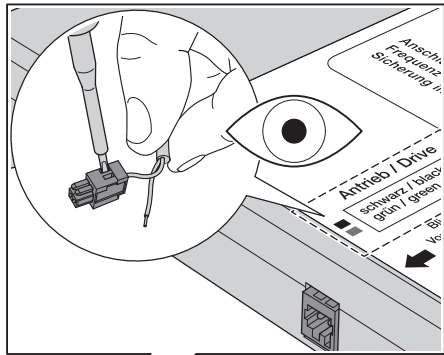
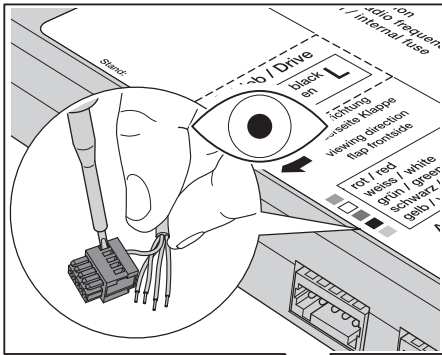
18



12.0001.010.329

HDE 16.08.2012

19

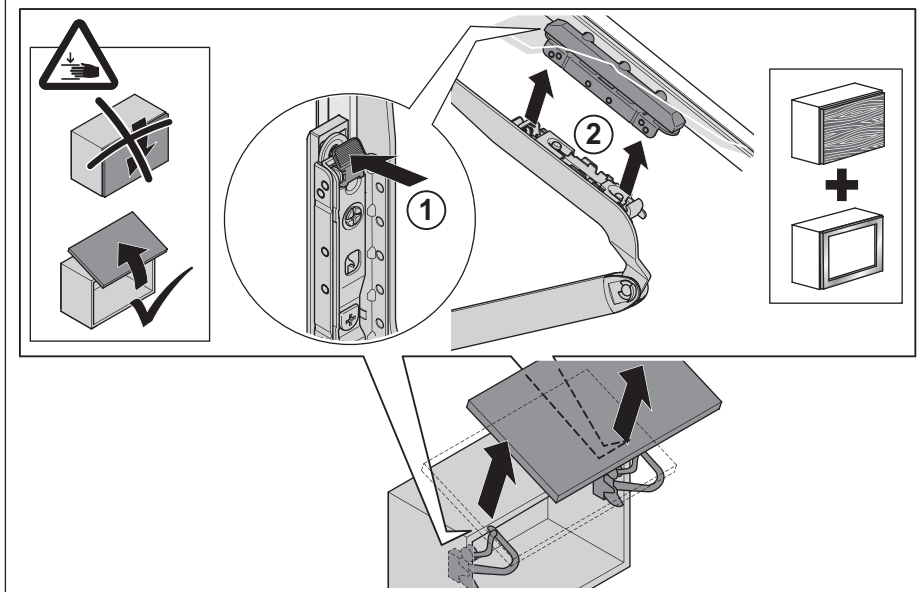


4025500000

12.0001.010.329

HDE 16.08.2012

i



4025500000

12.0001.010.329

HDE 16.08.2012