



52.320.37+42

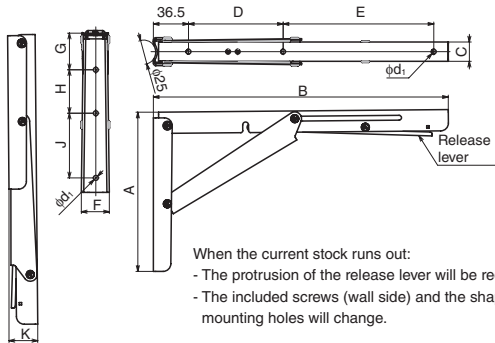
52.320.36+41

52.320.35+40

	A	B	C	D	E	F	G	H	J	K	d ₁
52.320.35+40	116	201	20	155	—	29	21	80	—	28.5	5.6
52.320.36+41	165	307		98	156		38	45	67		
52.320.37+42	171	318.5	24	98	156	36	38	45	67	30	6

Features

- Automatically locks when flap is in opened position.
- Press lever to release the lock.
- Bracket with hinge function in one unit.



When the current stock runs out:

- The protrusion of the release lever will be reduced.
- The included screws (wall side) and the shape of the mounting holes will change.