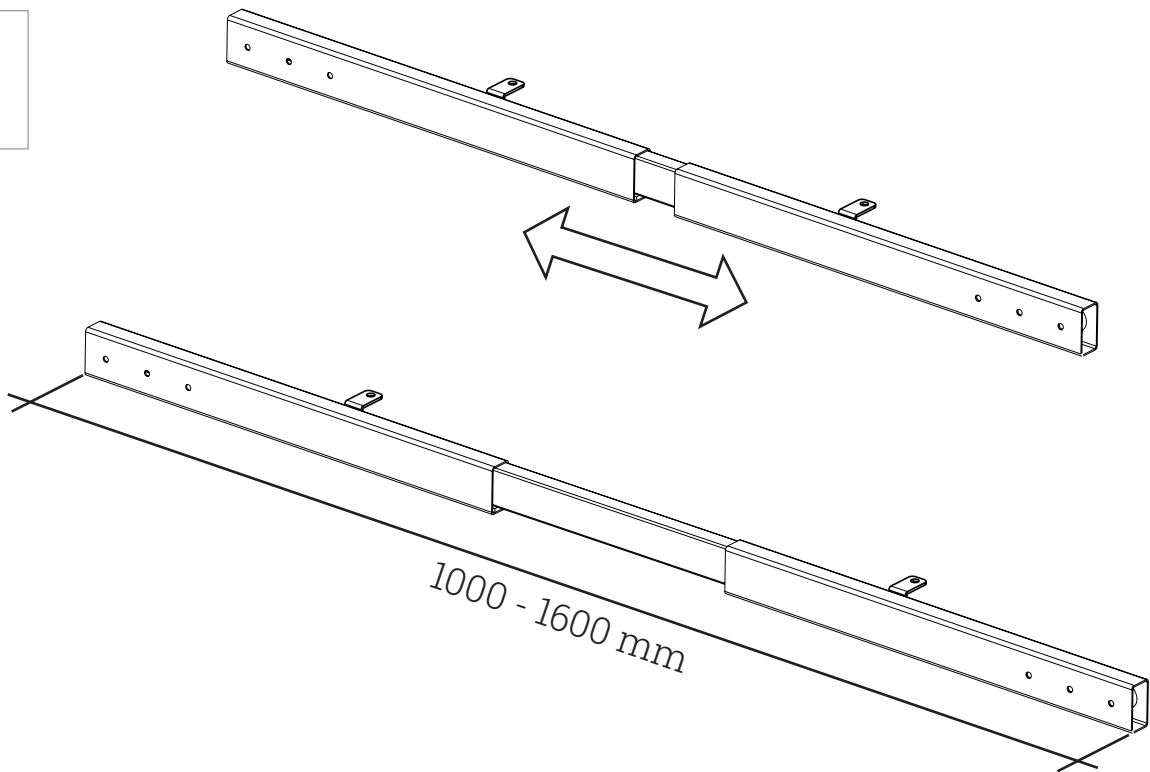


1



2

8x M6x16



B

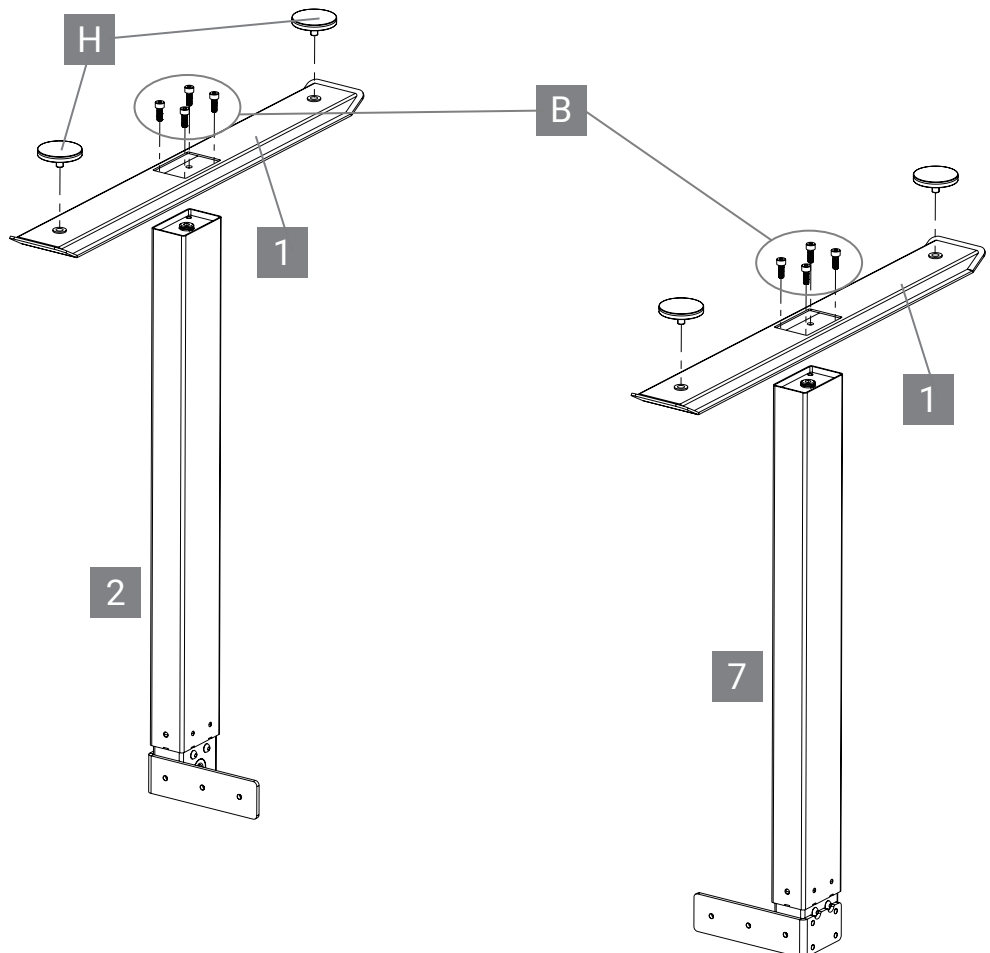


G

4x



H

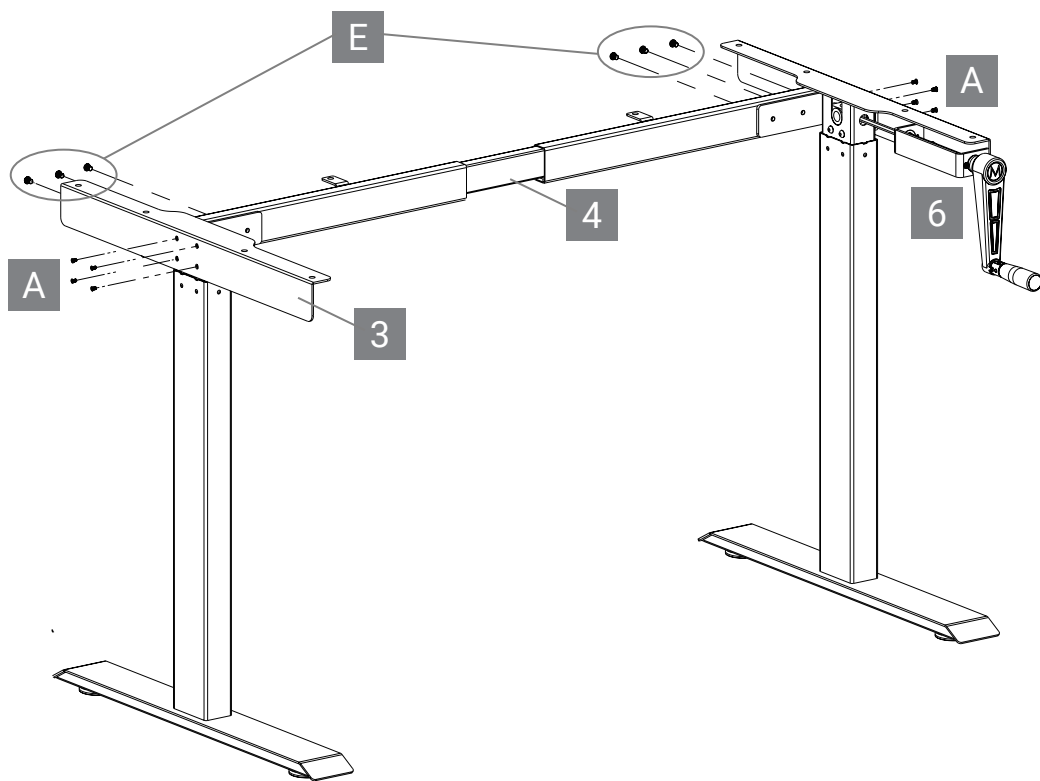
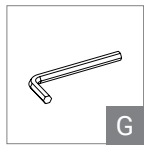


3

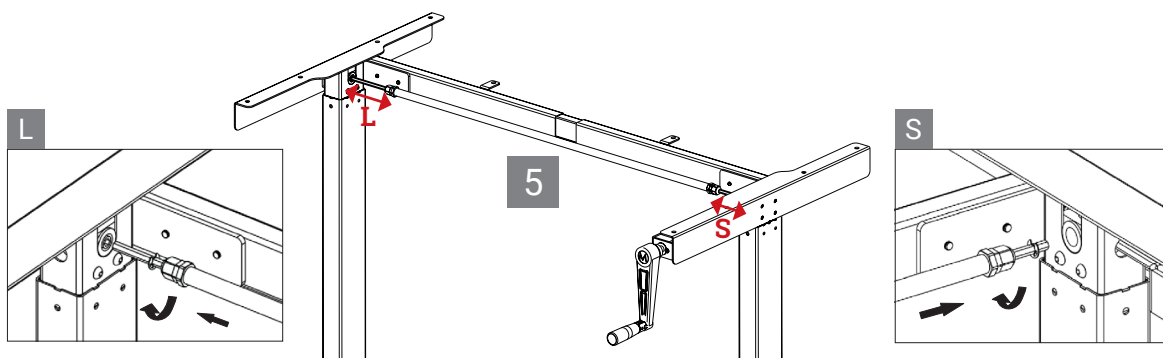
8x M6x8



6x M6x8



4



5

10x M5x18



4x M8x10



10x

