

STEELFORCE 300

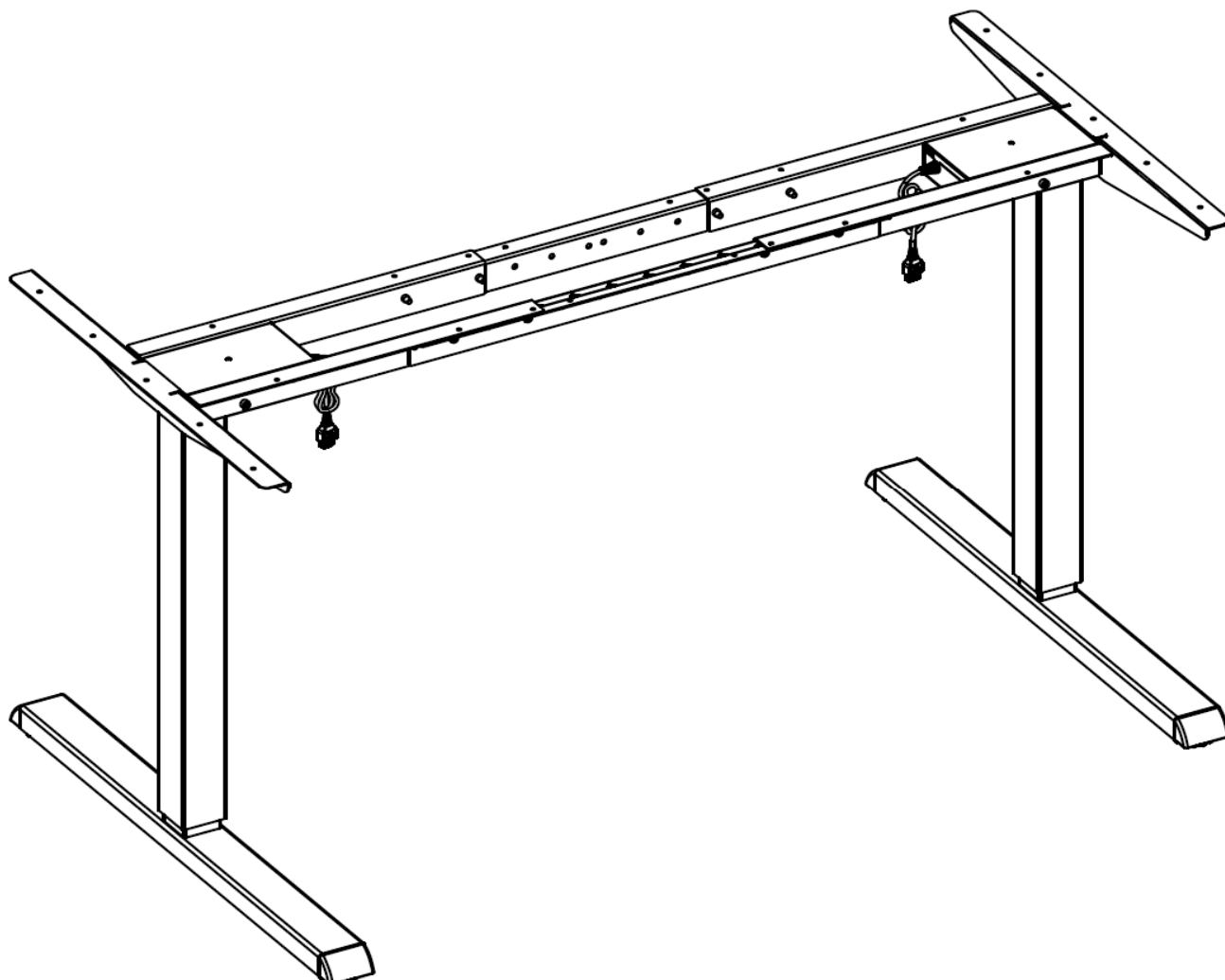
English

Deutsch

Nederlands

Français

Español



Download



Assembly Manual

Read this manual thoroughly and store in a safe place.

Montageanleitung

Bitte sorgfältig lesen und sicher aufbewahren.

Montagehandleiding

Lees deze handleiding aandachtig door en bewaar deze goed.

Notice de montage

Veuillez lire attentivement cette notice et la conserver en lieu sûr.

Manual de montaje

Lea detenidamente este manual y guárdelo en un sitio seguro.

SF-IM0001-0EN-DE-NL-FR-ES

Content

1	GENERAL	7
1.1	Local value of the assembly/operating manual	7
1.2	Intended use	7
1.3	Improper use	7
1.4	Grounding Instruction	7
1.5	Danger	7
1.6	Content box	8-9
2	SAFETY INFORMATION	10
2.1	Symbols/warnings	10
2.2	Symbols used on the workstation frame	10
2.3	Maximum weight allowed on frame	10
2.4	Maximum weight allowed per column	11
2.5	Organizational measures	11
2.6	Informal safety measures	11
2.7	Note for those assembling the workstation	11
2.8	Transport and assembly	11
2.9	Use of the workstation frame	11
2.10	Specific dangers	11
2.11	In an emergency	12
2.12	Maintenance and upkeep	12
2.13	Cleaning	12
2.14	Persistent risks	12
3	ASSEMBLY	13
3.1	Adjustment of the Pre-assembled Crossbar	13
3.1.1	Recommended Top Sizes	13
3.2	Mounting the Pre-assembled Crossbar	14
3.3	Mounting the Feet	15
3.4	Mounting the Top Support	16
3.5	Connecting the Electrical Components	17
3.6	Mounting the table top	18
3.7	Mounting the power supply underneath the table top	18
3.8	Mounting the Wire Clip	19-20
3.9	Mounting the Optional Accessories	21
3.10	Clearance around the wall or moving parts 25mm of the table top	22
3.11	Frame Test without table top	22
4	CORRECT POSITION OF SEAT	23
5	TECHNICAL SPECIFICATIONS	24-25
6	OPERATION AND INDICATORS	26
6.1	Indicators	26
7	TROUBLESHOOTING	26
8	CUSTOMER SERVICE	27
9	MANUFACTURER	27
10	RECYCLING	27
10.1	Taking the workstation out of active duty	27
10.2	Taking the workstation apart	27
10.3	Recycling	27
11	EU-DECLARATION OF CONFORMITY IN ANNEX II A	28

1	ALLGEMEINES	29
1.1	Stellenwert der Montage-/Bedienungsanleitung	29
1.2	Verwendungszweck	29
1.3	Unsachgemäße Verwendung	29
1.4	Erdungsvorschrift	29
1.5	Gefahr	29
1.6	Lieferumfang.....	30-31
2	SICHERHEITSHINWEISE	32
2.1	Symbol- und Hinweiserklärungen.....	32
2.2	Verwendete Symbole am Tischgestell.....	32
2.3	Zulässiges Gesamtgewicht auf dem Tischgestell.....	32
2.4	Zulässiges Gesamtgewicht pro Säule.....	33
2.5	Organisatorische Maßnahmen.....	33
2.6	Empfohlene Sicherheitsmaßnahmen	33
2.7	Hinweise zur Montage	33
2.8	und Montage	33
2.9	Benutzung des Tischgestells	33
2.10	Besondere Gefahrenstellen.....	33
2.11	Hinweise für den Notfall	34
2.12	Wartung und Instandhaltung	34
2.13	Reinigung.....	34
2.14	Restrisiken.....	34
3	MONTAGE	35
3.1	Einstellung der vormontierten Traverse	35
3.1.1	Empfohlene Tischplattenmaße	35
3.2	Montage der vormontierten Traverse	36
3.3	Montage der Kufen.....	37
3.4	Montage der Plattenträger.....	38
3.5	Anschließen der elektrischen Bauteile	39
3.6	Montage der Tischplatte	40
3.7	Montage des Netzteils unter der Tischplatte	40
3.8	Montage der Kabelclips	41-42
3.9	Montage des optionalen Zubehörs	43
3.10	Sicherheitsabstand zur Wand oder beweglichen Teilen von 25 mm um die Tischplatte	44
3.11	Test und Inbetriebnahme ohne Tischplatte	44
4	ERGONOMISCHE SITZEINSTELLUNG	45
5	TECHNISCHE DATEN	46-47
6	BETRIEBSHINWEISE	48
6.1	Fehlfunktionen	48
7	FEHLERBEHEBUNG	48
8	KUNDENDIENST	49
9	HERSTELLER	49
10	ENTSORGUNG	49
10.1	Außerbetriebnahme des Tischgestells	49
10.2	Tischgestell abbauen und ggf. zerlegen.....	49
10.3	Entsorgung.....	49
11	EG-Konformitätserklärung nach Anhang II A	50

Inhoudsopgave

1	ALGEMEEN	51
1.1	Waarde van de montage- en gebruikershandleiding	51
1.2	Beoogd gebruik	51
1.3	Onjuist gebruik	51
1.4	Aarding instructie	51
1.5	Gevaar.....	51
1.6	Inhoud verpakking	52-53
2	VEILIGHEIDSINSTRUCTIES.....	54
2.1	Verklaring van symbolen en instructies	54
2.2	Gebruikte symbolen op het frame	54
2.3	Maximaal toegestaan gewicht op het frame	54
2.4	Maximaal toegestaan gewicht per kolom	55
2.5	Organisatorische maatregelen	55
2.6	Informele veiligheidsmaatregelen	55
2.7	Vereisten aan de monteurs.....	55
2.8	Transport en montage	55
2.9	Gebruik van het frame	55
2.10	Specifieke gevaren	55
2.11	Instructies voor noodgevallen	56
2.12	Onderhoud en instandhouding	56
2.13	Reiniging	56
2.14	Overige risico's.....	56
3	MONTAGE	57
3.1	Aanpassing van de voor gemonteerde Crossbar	57
3.1.1	Aanbevolen bladmaat.....	57
3.2	Montage van de voor gemonteerde Crossbar	58
3.3	Montage van de voeten	59
3.4	Montage van de bladragers.....	60
3.5	Aansluiten van de elektrische componenten	61
3.6	Montage van het werkblad	62
3.7	Montage van de handbediening.	62
3.8	Montage van de kabelclips	63-64
3.9	Montage van de optionele accessoires	65
3.10	Afstand van 25 mm tussen de muur of andere objecten en het werkblad	66
3.11	Frame test zonder werkblad	66
4	CORRECTE ZITPOSITIE	67
5	TECHNISCHE SPECIFICATIES.....	68-69
6	BEDIENING EN GEBRUIKSAANWIJZINGEN	70
6.1	Gebruiksaanwijzingen	70
7	PROBLEEMOPLOSSINGEN	70
8	KLANTENSERVICE	71
9	FABRIKANT	71
10	RECYCLING	71
10.1	Buitenbedrijfstelling van het frame	71
10.2	Demontage van het frame	71
10.3	Recycling.....	71
11	EU-VERKLARING VAN OVEREENSTEMMING IN BIJLAGE II A.....	72

1	GÉNÉRALITÉS	73
1.1	Valeur locale de la notice de montage/d'utilisation	73
1.2	Utilisation conforme	73
1.3	Utilisation non conforme	73
1.4	Consignes de mise à la terre	73
1.5	Risques	73
1.6	Contenu de l'emballage	74-75
2	CONSIGNES DE SÉCURITÉ	76
2.1	Pictogrammes/avertissements	76
2.2	Pictogrammes utilisés sur le bâti de bureau	76
2.3	Poids maximum admissible sur le bâti	76
2.4	Poids maximum admissible par colonne	77
2.5	Mesures organisationnelles	77
2.6	Mesures de sécurité recommandées	77
2.7	Remarques à l'intention des personnes chargées du montage	77
2.8	Transport et montage	77
2.9	Utilisation du bâti de bureau	77
2.10	Risques spécifiques	77
2.11	Procédure à suivre en cas d'urgence	78
2.12	Maintenance et entretien	78
2.13	Nettoyage	78
2.14	Risques persistants	78
3	MONTAGE	79
3.1	Réglage de la traverse prémontée	79
3.1.1	Dimensions recommandées du support du plateau	79
3.2	Montage de traverse prémontée	80
3.3	Montage des patins	81
3.4	Montage du support de plateau	82
3.5	Raccordement des composants électriques	83
3.6	Montage du plateau de bureau	84
3.7	Montage de l'alimentation électrique sous le plateau de bureau	84
3.8	Montage des serre-câble	85-86
3.9	Montage des accessoires en option	87
3.10	Espacement de 25 mm du plateau de bureau par rapport au mur ou aux pièces mobiles	88
3.11	Essai de fonctionnement du bâti sans plateau	88
4	POSITION CORRECTE DU SIÈGE	89
5	CARACTÉRISTIQUES TECHNIQUES	90-91
6	FONCTIONNEMENT ET INDICATEURS	92
6.1	Indicateurs	92
7	DÉPANNAGE	92
8	SERVICE APRÈS-VENTE	93
9	FABRICANT	93
10	RECYCLAGE	93
10.1	Mise hors service du poste de travail	93
10.2	Démontage du poste de travail	93
10.3	Recyclage	93
11	CERTIFICATIONS	94

Contenido

1	GENERALIDADES	95
1.1	Importancia del manual de montaje/funcionamiento.....	95
1.2	Uso previsto.....	95
1.3	Uso indebido	95
1.4	Instrucciones de puesta a tierra.....	95
1.5	Peligro.....	95
1.6	Contenido de la caja	96-97
2	INFORMACIÓN RELATIVA A LA SEGURIDAD.....	98
2.1	Símbolos/advertencias	98
2.2	Símbolos utilizados en el soporte de la estación de trabajo.....	98
2.3	Peso máximo permitido sobre el soporte	98
2.4	Peso máximo permitido por columna	99
2.5	Medidas organizativas.....	99
2.6	Medidas de seguridad informativas	99
2.7	Aviso para los operarios encargados del montaje de la estación de trabajo.....	99
2.8	Transporte y montaje	99
2.9	Uso del soporte de la estación de trabajo	99
2.10	Riesgos específicos	99
2.11	Instrucciones en caso de emergencia	100
2.12	Mantenimiento y reparación.....	100
2.13	Limpieza.....	100
2.14	Riesgos constantes	100
3	MONTAJE	101
3.1	Ajuste de la barra transversal premontada	101
3.1.1	Tamaños recomendados del tablero.....	101
3.2	Montaje de la barra transversal premontada	102
3.3	Montaje de los pies.....	103
3.4	Montaje del apoyo superior.....	104
3.5	Conexión de los componentes eléctricos	105
3.6	Montaje del tablero.....	106
3.7	Montaje de la fuente de alimentación debajo del tablero.	106
3.8	Montaje del clip para cables	107-108
3.9	Montaje de los accesorios opcionales	109
3.10	Distancia de 25 mm entre la pared o partes móviles y el tablero.....	110
3.11	Prueba del soporte sin tablero	110
4	POSICIÓN CORRECTA DEL ASIENTO	111
5	ESPECIFICACIONES TÉCNICAS.....	112-113
6	FUNCIONAMIENTO E INDICACIONES	114
6.1	Indicaciones	114
7	SOLUCIÓN DE PROBLEMAS.....	114
8	SERVICIO DE ATENCIÓN AL CLIENTE.....	115
9	FABRICANTE.	115
10	RECICLAJE	115
10.1	Retirar la estación de trabajo del servicio.....	115
10.2	Desmantelamiento de la estación de trabajo	115
10.3	Reciclaje.....	115
11	DECLARACIÓN DE CONFORMIDAD UE EN EL ANEXO II A.....	116

1 General

1.1 Local value of the assembly/Operating Manual

The guiding principle for safe use and trouble-free operation of this workstation frame is knowledge of basic safety information and regulations. This assembly/operating manual contains the most important information needed for assembling and operating the workstation frame safely. This assembly/operating manual, in particular the safety information contained herein, must be observed by any person building the frame and working on the finished surface. More importantly, the rules and regulations applying to accident prevention in the locality in which the workstation frame is to be used must be observed at all times.

1.2 Intended use

The workstation frame must be used only as a height-adjustable workstation for sitting/standing use in offices or other enclosed areas. The frame must be used for this purpose only. The workstation frame may be set up and operated solely in office environments. Do not use the workstation frame in the home. Please observe the provisions of Section 2, Safety Information. Children may be unaware of the dangers presented by the workstation frame if unsupervised. Any other use than the above shall be deemed improper. The manufacturer can in no way be held liable for damage arising from improper use. This appliance is not intended for use by persons (including children) with reduced physical, sensory or mental capabilities, or lack of experience and knowledge, unless they have been given supervision or instruction concerning use of the appliance by a person responsible for their safety. Children should be supervised to ensure that they do not play with the appliance.

Intended use shall also include:

- Observation of all information from the assembly/operating manual and
- Prohibition of any sort of addition to/conversion of the workstation.

1.3 Improper use

- Never use the workstation frame to lift people or loads.
- Do not exceed the maximum load of the workstation frame.
- Do not use the workstation frame in the home; alternatively, use it only in offices.
- Operate workstation only with power supply unit which is included in delivery.

1.4 Grounding Instruction

This workstation frame must be grounded. Connect this workstation frame to a properly grounded outlet only. If it should malfunction or breakdown, grounding provides a path of least resistance for electric current to reduce the risk of electric shock. This workstation frame is equipped with a cord having a grounding plug like the plug illustrated in Figure 1. The plug must be plugged into an appropriate outlet that is properly installed and grounded in accordance with all local codes and ordinances.

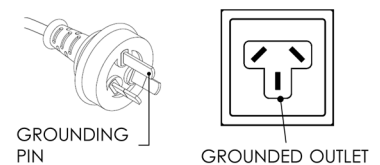


Figure 1

This appliance incorporates an earth connection for functional purposes only.

⊥ For protective earth, the terminal is intended to connect with equipotential bonding of building where the workstation frame is being setup. Terminals for the connection of external equipotential bonding conductors shall allow the connection of conductors having nominal cross-sectional areas of 2,5 mm² to 6 mm².

1.5 Danger

Improper connection of the workstation frame grounding conductor can result in a risk of electric shock. Check with a qualified electrician if you are in doubt as to whether the product is properly grounded. Do not modify the plug provided with the product.

If the supply cord is damaged, it must be replaced by a special cord or assembly available from the manufacturer or its service agent.

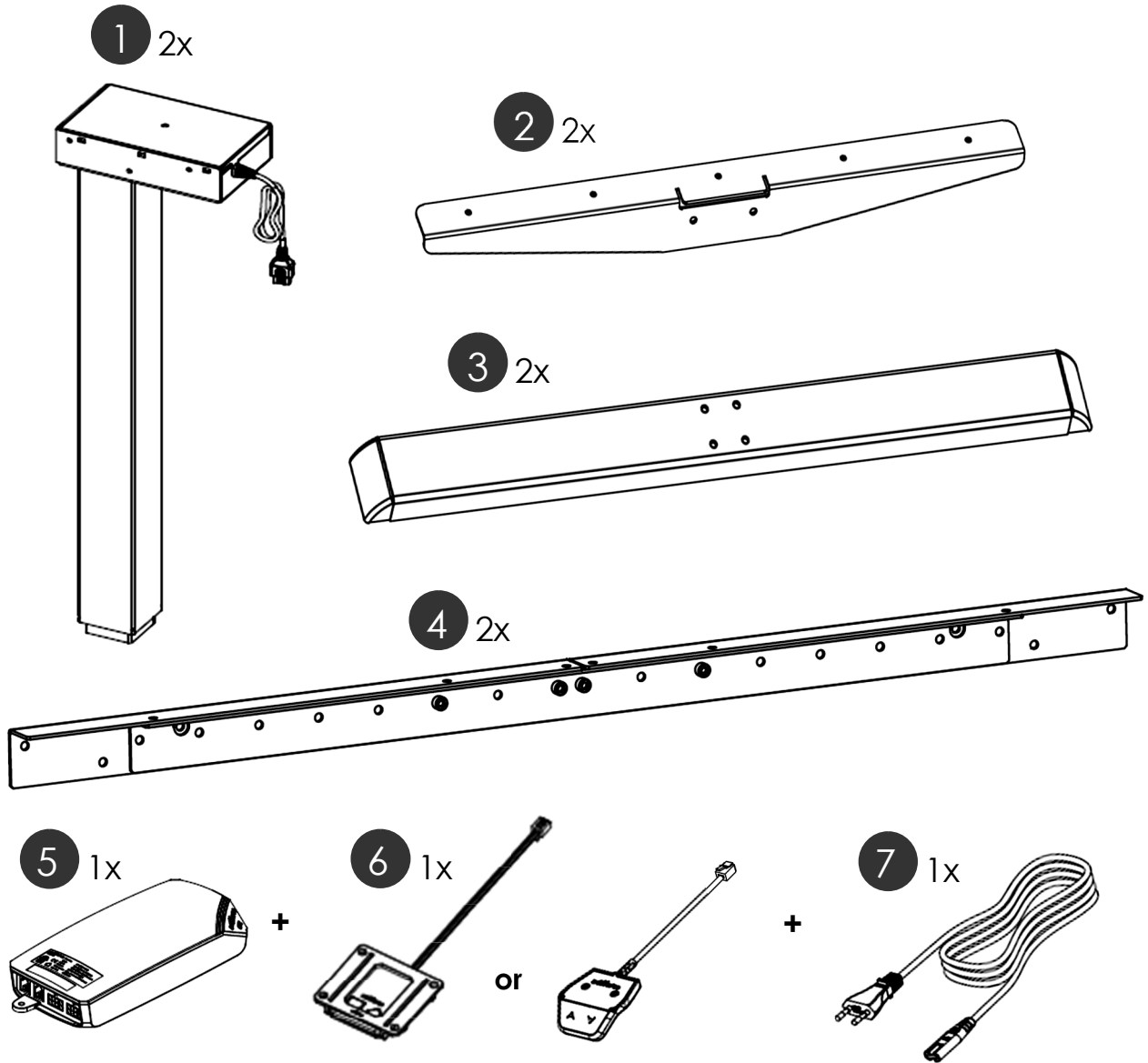
WARNING: Any changes or modifications not expressly approved by the manufacturer could void the user's authority to operate the equipment.

1.6 Content Box

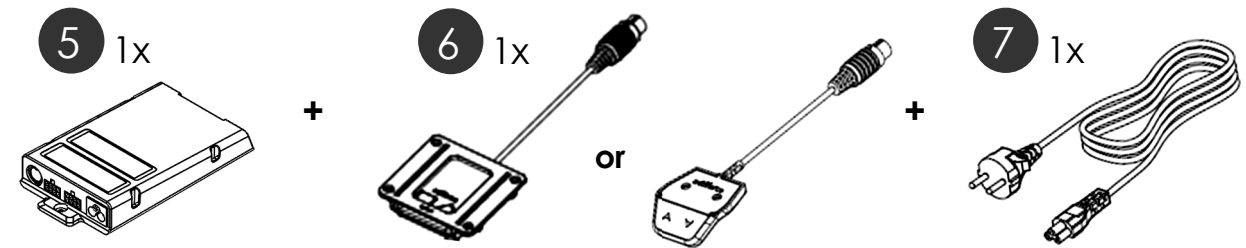


Assembly requires 2 people!

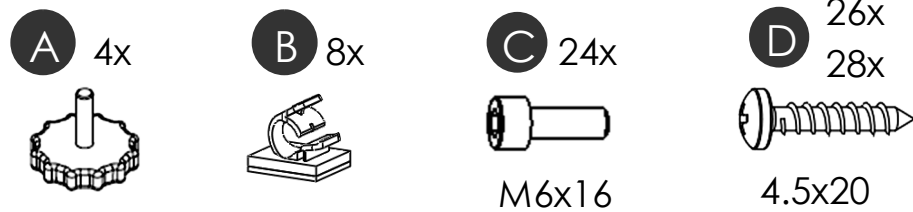
Items



optional



Hardware Kit

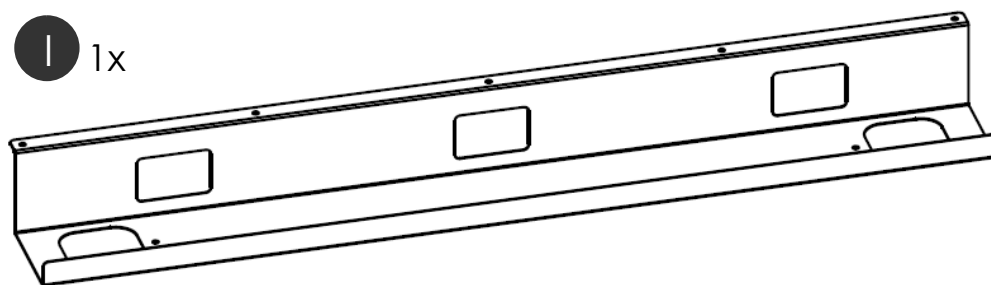


Tools



Optional Accessories

I 1x

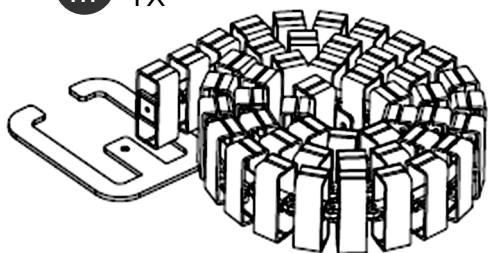


II 5x



4.5 x 20

III 1x



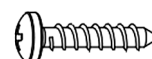
IV 3x



M4 x 16

(Additional 2 pieces)

V 1x





4.5 x 16


2 Safety Information

2.1 Symbols/Warnings



The assembly/operating manual uses the following terms and signs to indicate dangers:

	<p>This symbol indicates an immediate threatening situation for any person's life or health. Failure to adhere to such information may have serious consequences for health, or could even result in life-threatening injury or death.</p>
	<p>This symbol indicates important information. Failure to adhere to such information could lead to damage to the workstation.</p>

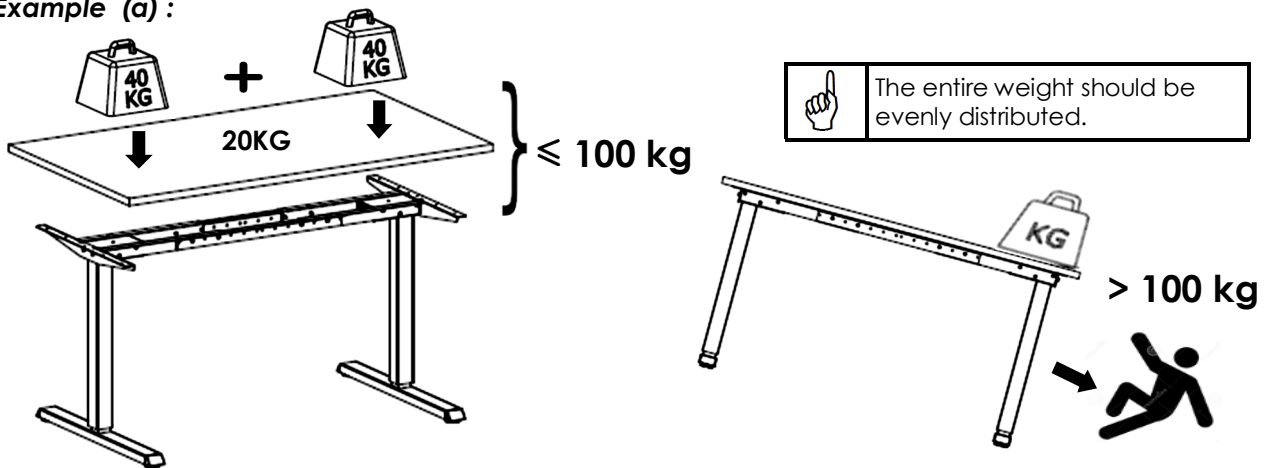
2.2 Symbols used on the workstation frame

	<p>Do not place objects or parts of the body under the workstation frame or between the cross members. This could cause serious injury or even result in death.</p>
---	---

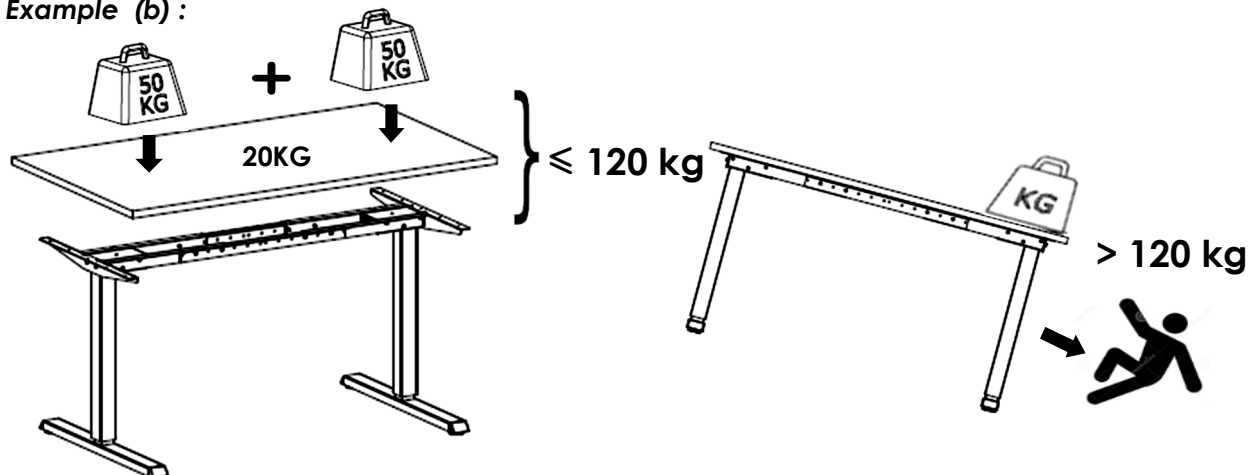
2.3 Maximum weight allowed on frame

		<p>Do not exceed the maximum permitted load of (a) 100 kg including table top (Smart-e-2) (b) 120 kg including table top (ControlForce 2) on the workstation frame. Avoid unbalanced load, distribute the weight evenly, otherwise overload may occur. Overloading a frame may cause breakage and close by individuals may suffer serious injuries as a consequence.</p>
--	--	---

Example (a) :



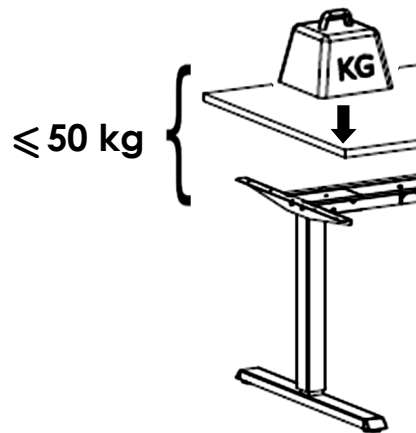
Example (b) :



2.4 Maximum weight allowed per column



Do not exceed the maximum permitted load of 50 kg (including table top) on a column. Overloading a frame may cause breakage and close by individuals may suffer serious injuries as a consequence.



2.5 Organizational measures

- The workstation frame can best be assembled by two people. Turning the frame, once the work surface has been fitted, is a task in particular which requires two people!

2.6 Informal safety measures

- Keep the assembly/operating manual in the place where the workstation frame is used at all times.
- Make sure that all safety information on the table (see Section Symbols used on the workstation frame) is legible, replacing the same if necessary.

2.7 Note for those assembling the workstation

- The workstation must be assembled/worked on by persons over the age of 16.
- The persons referred to above must have read and understood the assembly /operating manual.

2.8 Transport and assembly

- The workstation frame must be moved by two persons only, and in such cases must be retracted.
- Do not drag or pull the workstation frame over the floor.
- Assemble the workstation frame with the supplied tools only. They are the only tools which ensure that the screws can be tightened to the correct torque.

2.9 Use of the workstation frame

- Do not allow children to use the workstation frame unsupervised. Children may be unaware of the dangers presented by the workstation frame. They would be in serious danger of injuring themselves, possibly even with fatal consequences. Further adjustment must then be impossible as a safeguard against use by children.
- The workstation frame must only be used in appropriate areas.
- Do not use the workstation frame on an uneven surface. In such conditions it will not be steady.
- Never exceed the maximum load on the workstation frame.

2.10 Specific dangers

- When adjusting the height of the frame there is danger of injury. Make sure that there is no-one else in the immediate surroundings of the frame.
- When assembling the workstation frame, make sure there is ample space to avoid collisions (i.e. inclination of roof, fixed objects, filing cabinets, waste-paper bins etc.) in all imaginable directions.
- Make sure there is ample space to avoid collisions if there are objects on the work surface such as computers or computer peripherals.
- Make sure there is clearance of at least 25 mm from all other furniture, all around the workstation frame.

2.11 In an emergency

- Stop using the workstation frame at once if you notice anything unusual (strange sounds etc.).
- Have the workstation frame repaired by specialists. Refrain from using the workstation frame until it has been successfully repaired.

2.12 Maintenance and upkeep

- The workstation frame and its components are low-maintenance items and need no special regular maintenance.
- Do not perform any repairs on the work surface or other components yourself.
- Do not alter the construction of the work surface or its frame.
- Any faulty components removed must be replaced with new, original components from the manufacturer. Use only original replacement parts made by the manufacturer. Have any such work carried out by a specialist, making reference to this Assembly/operating manual.

2.13 Cleaning

- Always unplug this workstation from the electrical outlet before cleaning.
- Dust the workstation frame once a week with a dry cloth.
- Clean the workstation frame with a damp cloth and a weak solution of cleaner once a fortnight.

2.14 Persistent risks

This workstation frame has been built to the state of the art and to recognized safety regulations. Nonetheless, its use may constitute a risk to the health and safety of users or third parties, damage to the workstation frame or to other items. The workstation frame must be used only:

- for the purpose for which it was intended.
- if it is completely safe to do so.



Before attempting assembly, read the Safety Information in Section 2.

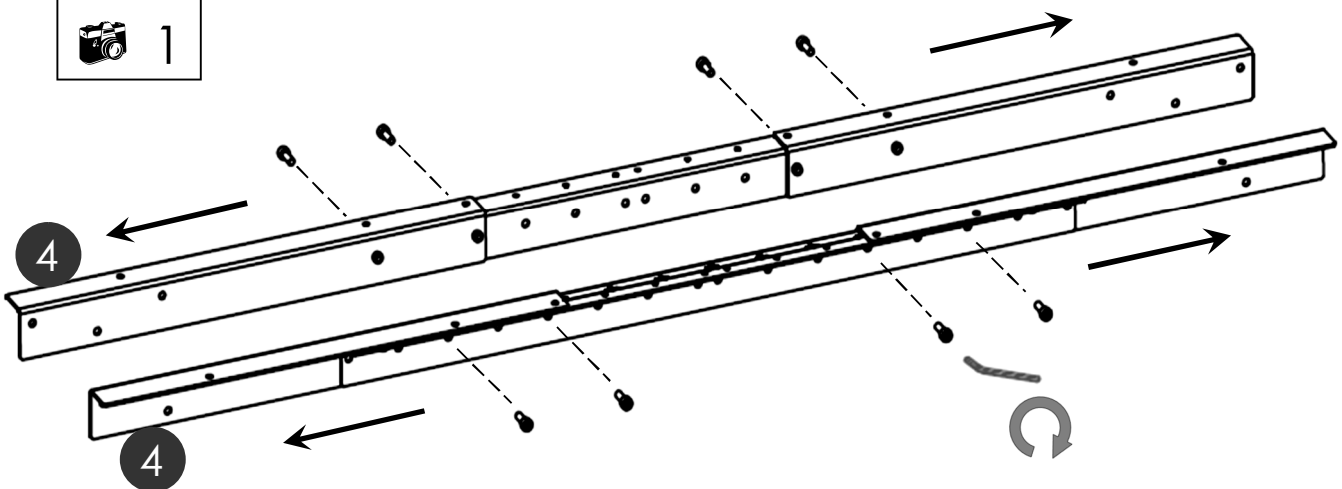


To protect components and the floor from scratches, it is advisable to use a pad before assembly. You can, for example, use the supplied cardboard by unfolding it.

3.1 Adjustment of the Pre-assembled Crossbar

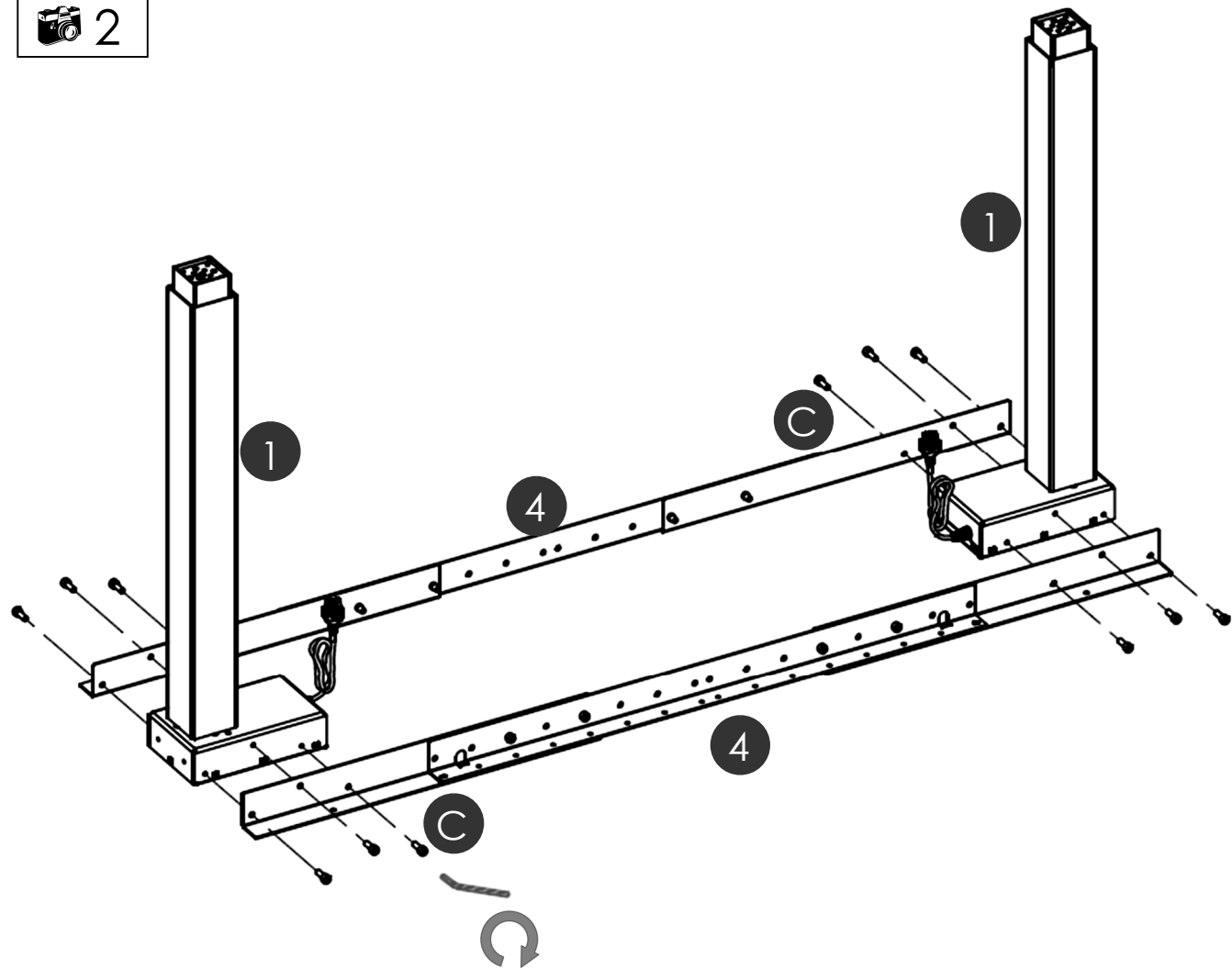
3.1.1 Recommended Top Sizes

Frame set-up	Width / size table top	Depth / size table top	Table Top Thickness
100 cm	110 cm	80 cm	2.5 cm
110 cm	120 cm	80 cm	2.5 cm
120 cm	130 cm	80 cm	2.5 cm
130 cm	140 cm	80 cm	2.5 cm
140 cm	150 cm	80 cm	2.5 cm
150 cm	160 cm	80 cm	2.5 cm



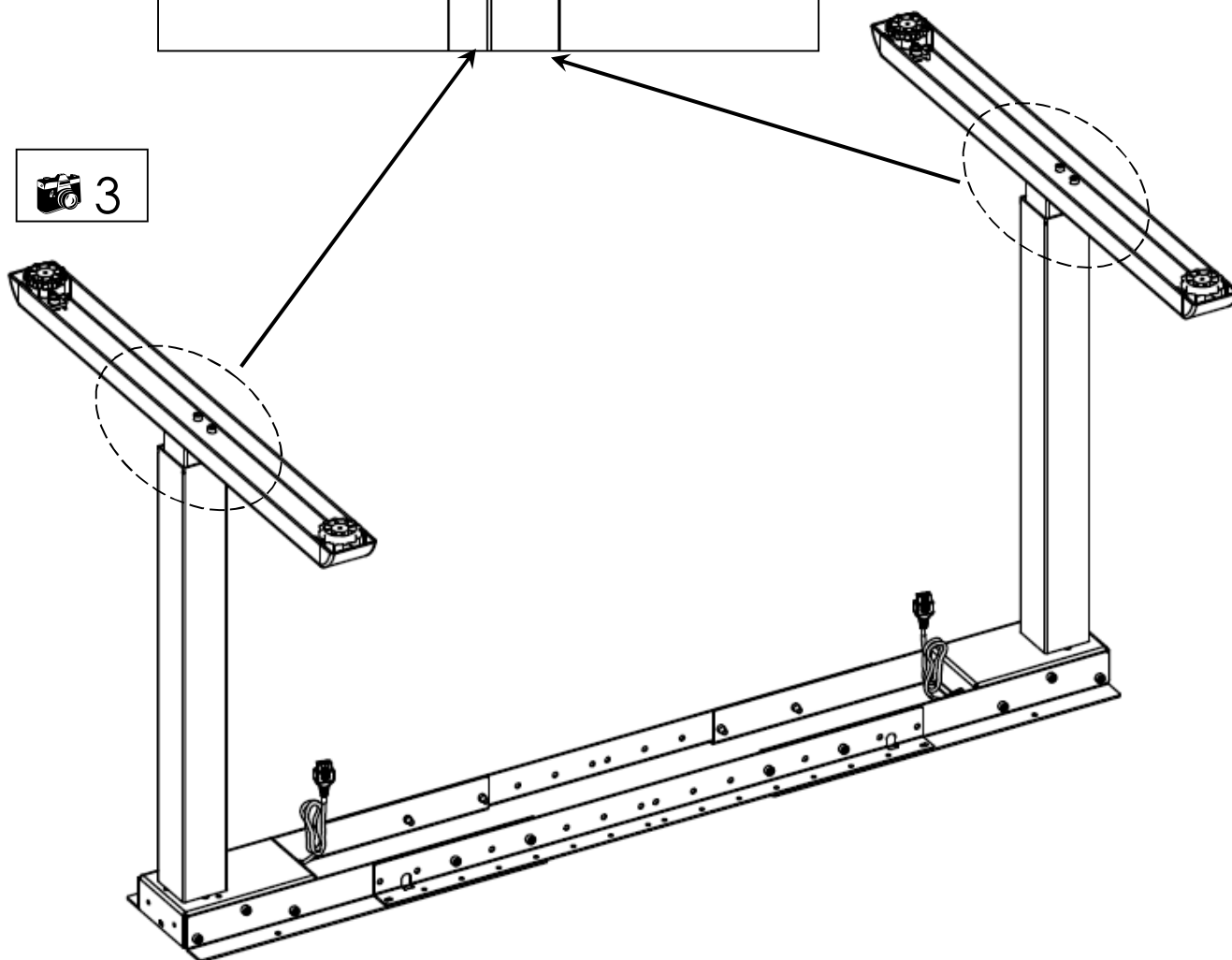
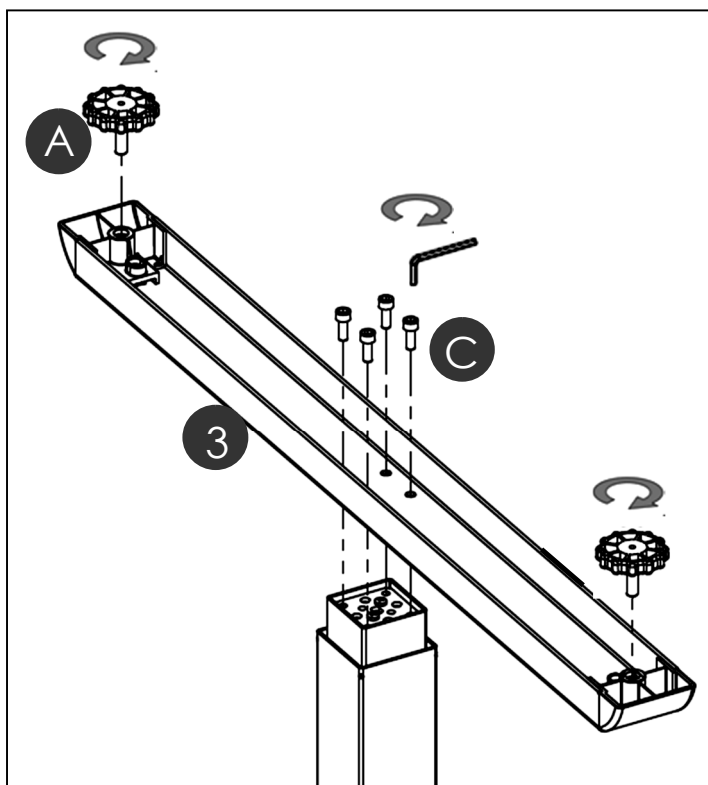
- Loosen the cap screw on the crossbars.
- Adjust the frame into the desired width.
- Tighten the set screws on the crossbar with Allen key M3.

3.2 Mounting the Pre-assembled Crossbar



3.3 Mounting the Feet

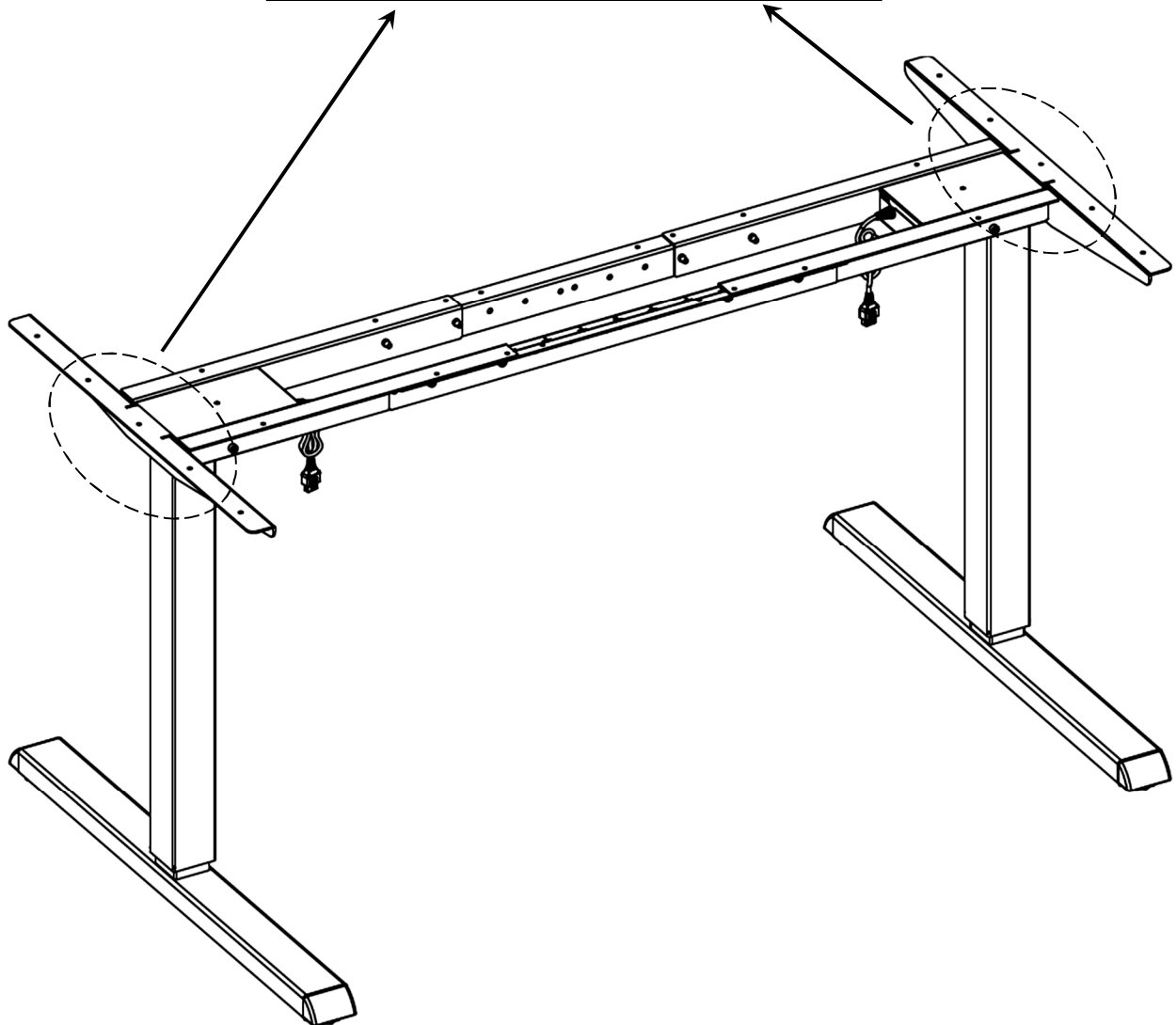
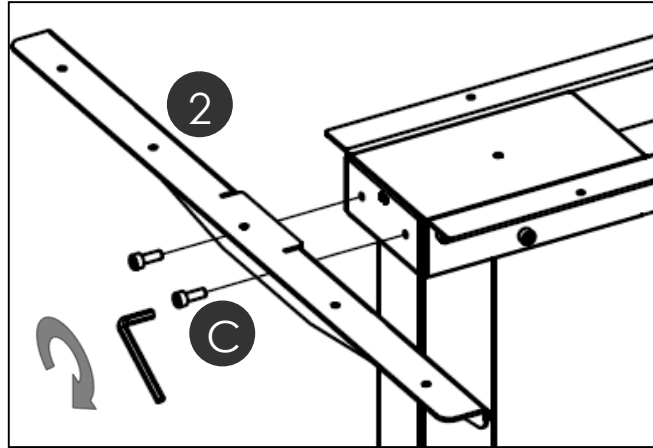
English



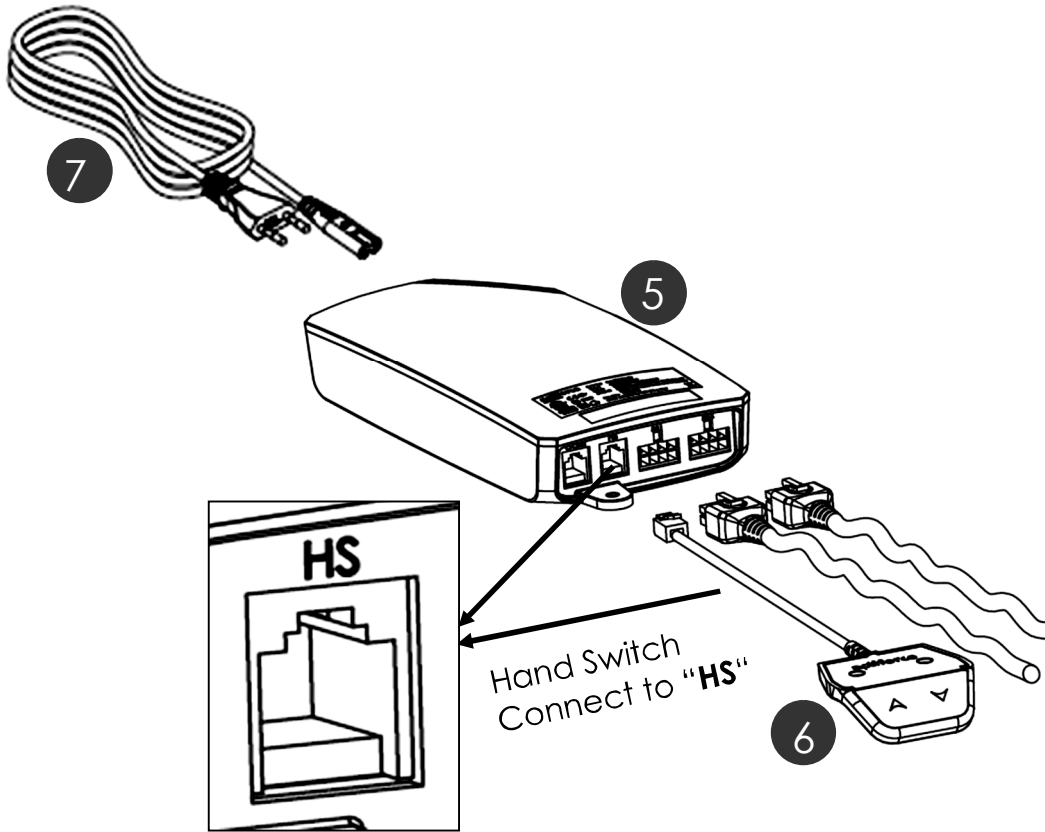
3.4 Mounting the Top Support

English

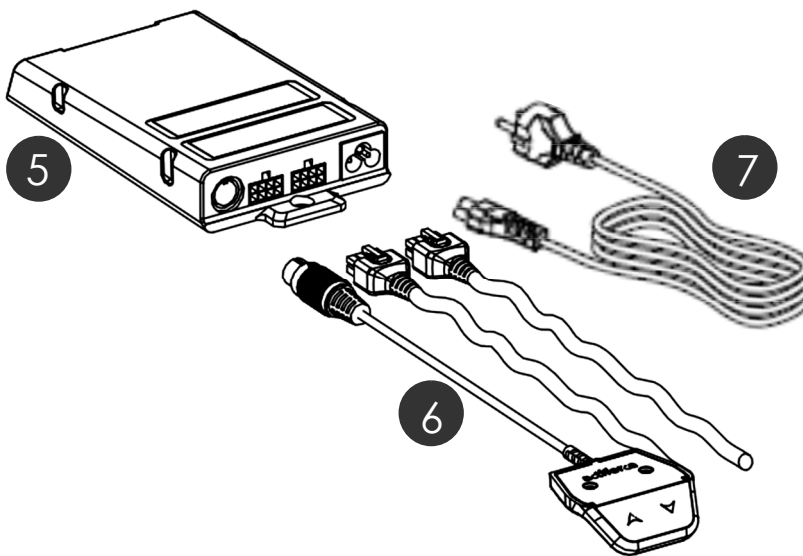
 4



3.5 Connecting the Electrical Components



OPTIONAL



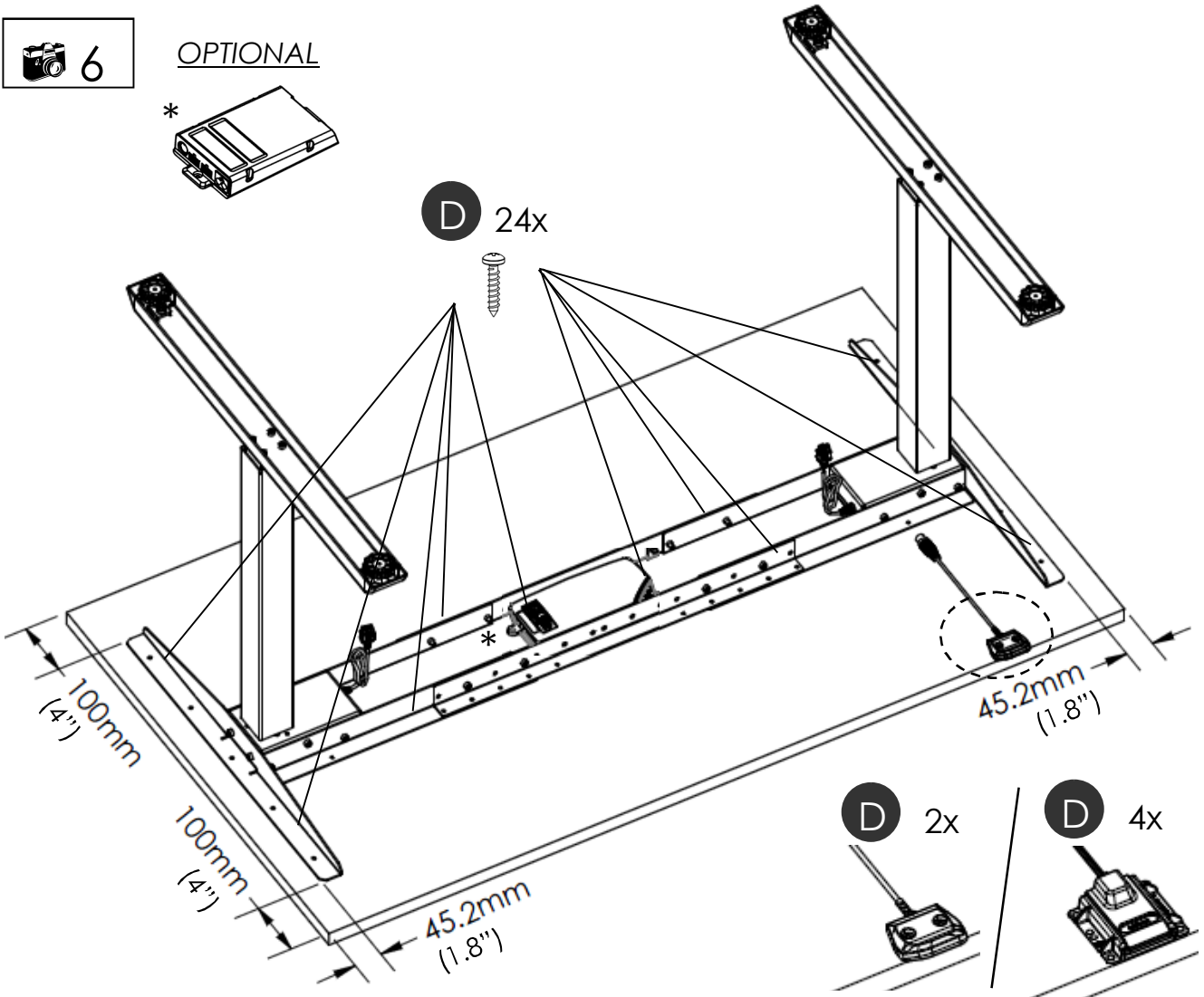
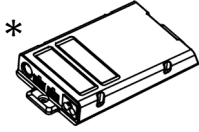
Keep in mind that the desk which you are assembling is height adjustable. The cables of the electrical components must be able to follow the movement of the desk freely.

3.6 Mounting the table top

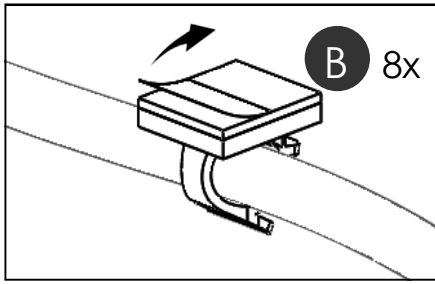
3.7 Mounting the power supply underneath the table top



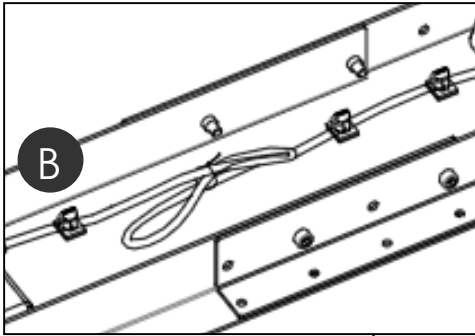
OPTIONAL



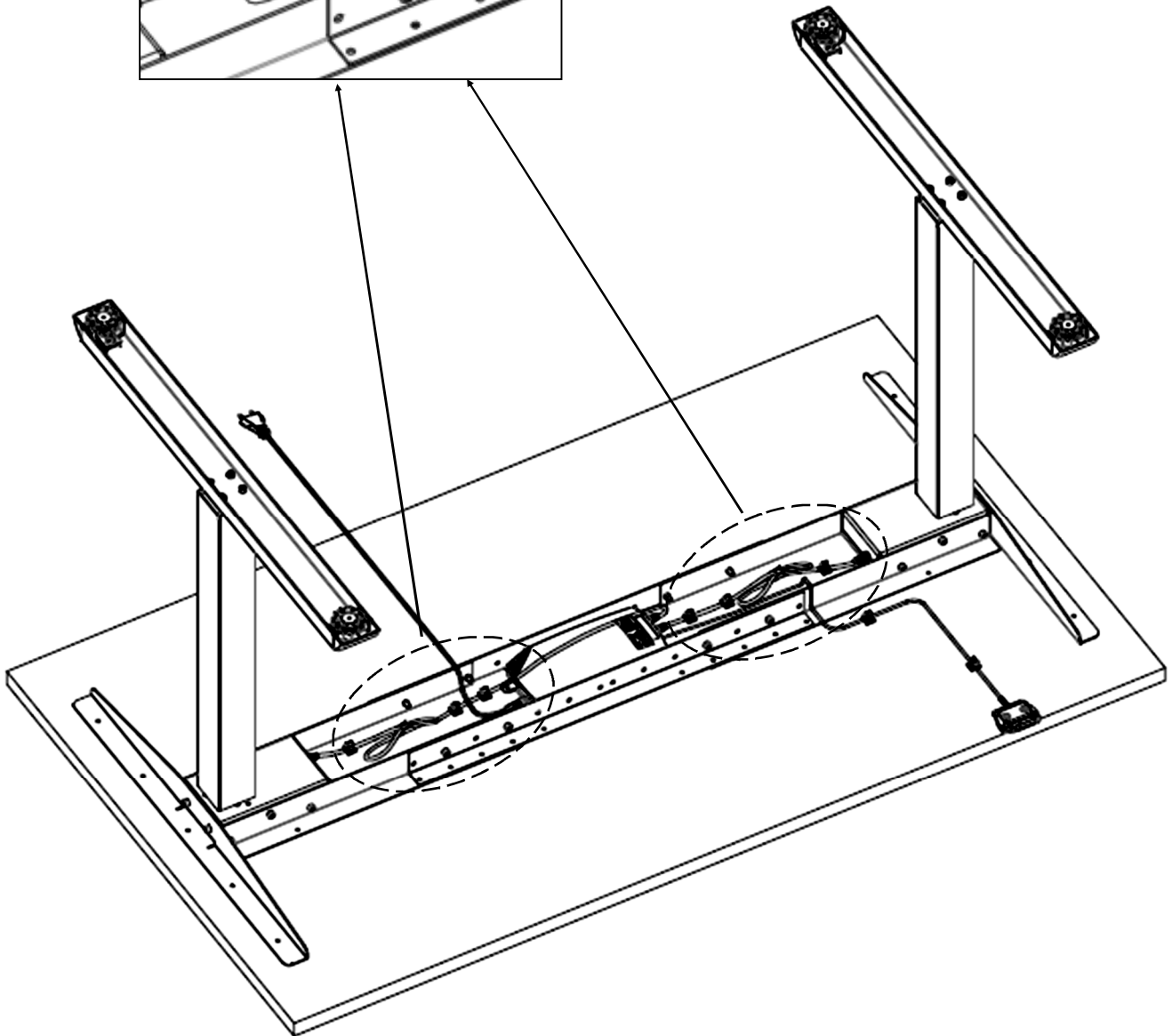
3.8 Mounting the Wire Clip

 7

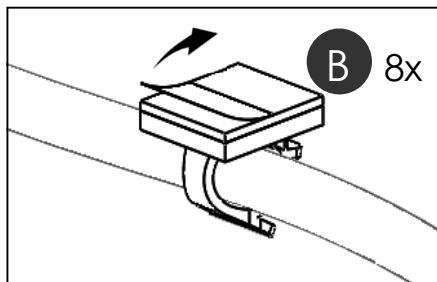
Mount the wire clips for cable. Peel off paper backing and stick to table top. Place wire into each wire clip.



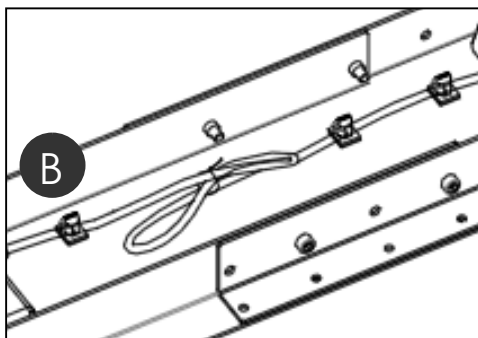
Bond loose cable together with wire clip.



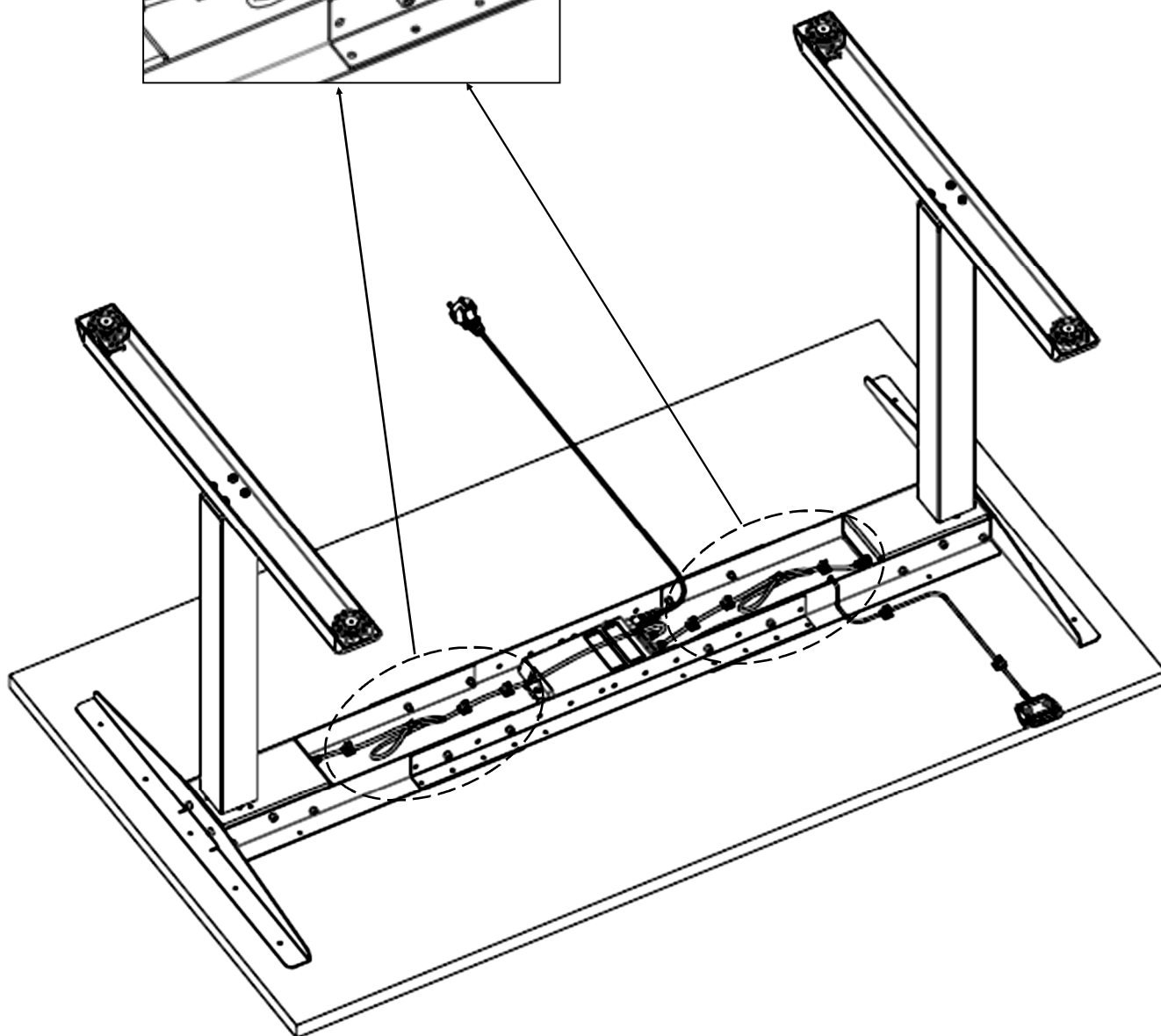
OPTIONAL



Mount the wire clips for cable. Peel off paper backing and stick to table top. Place wire into each wire clip.



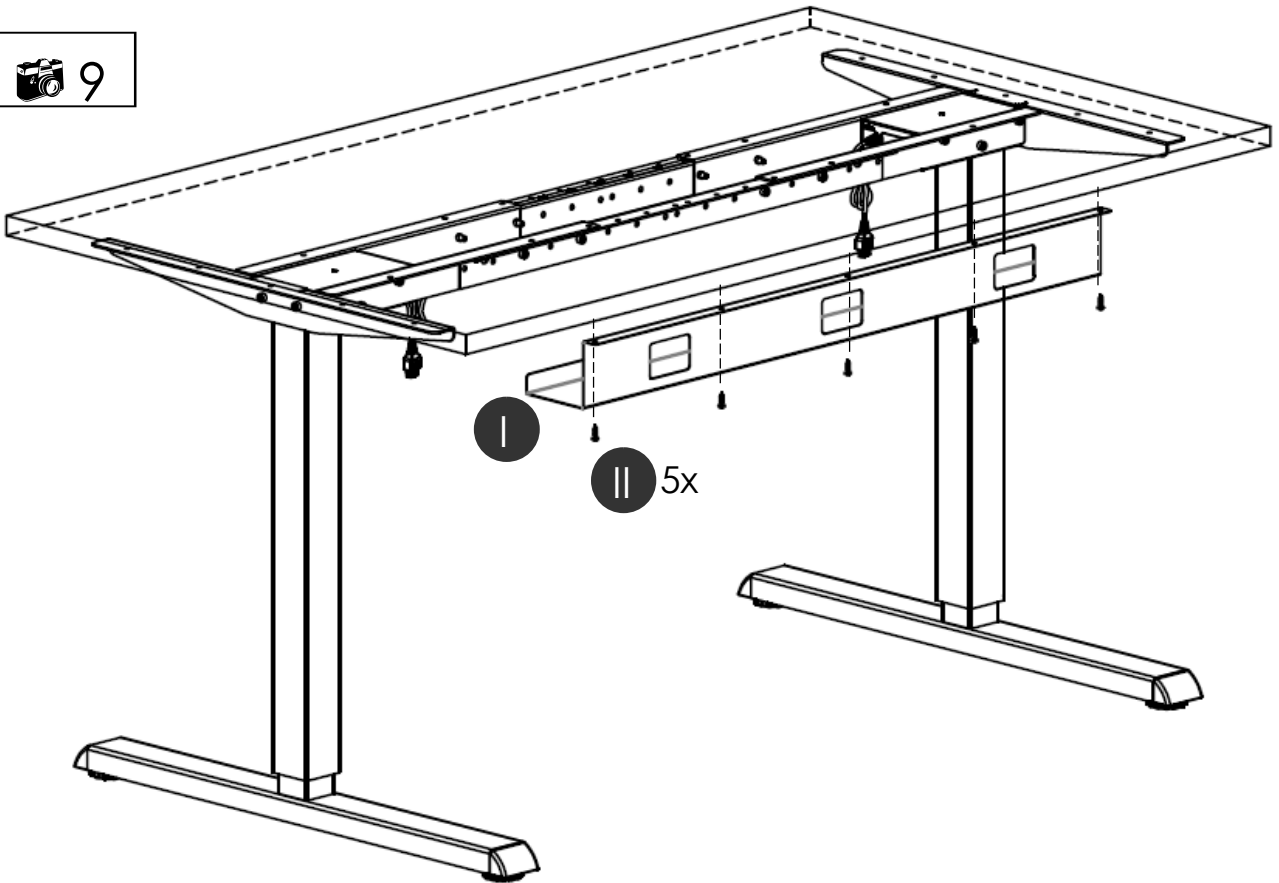
Bond loose cable together with wire clip.



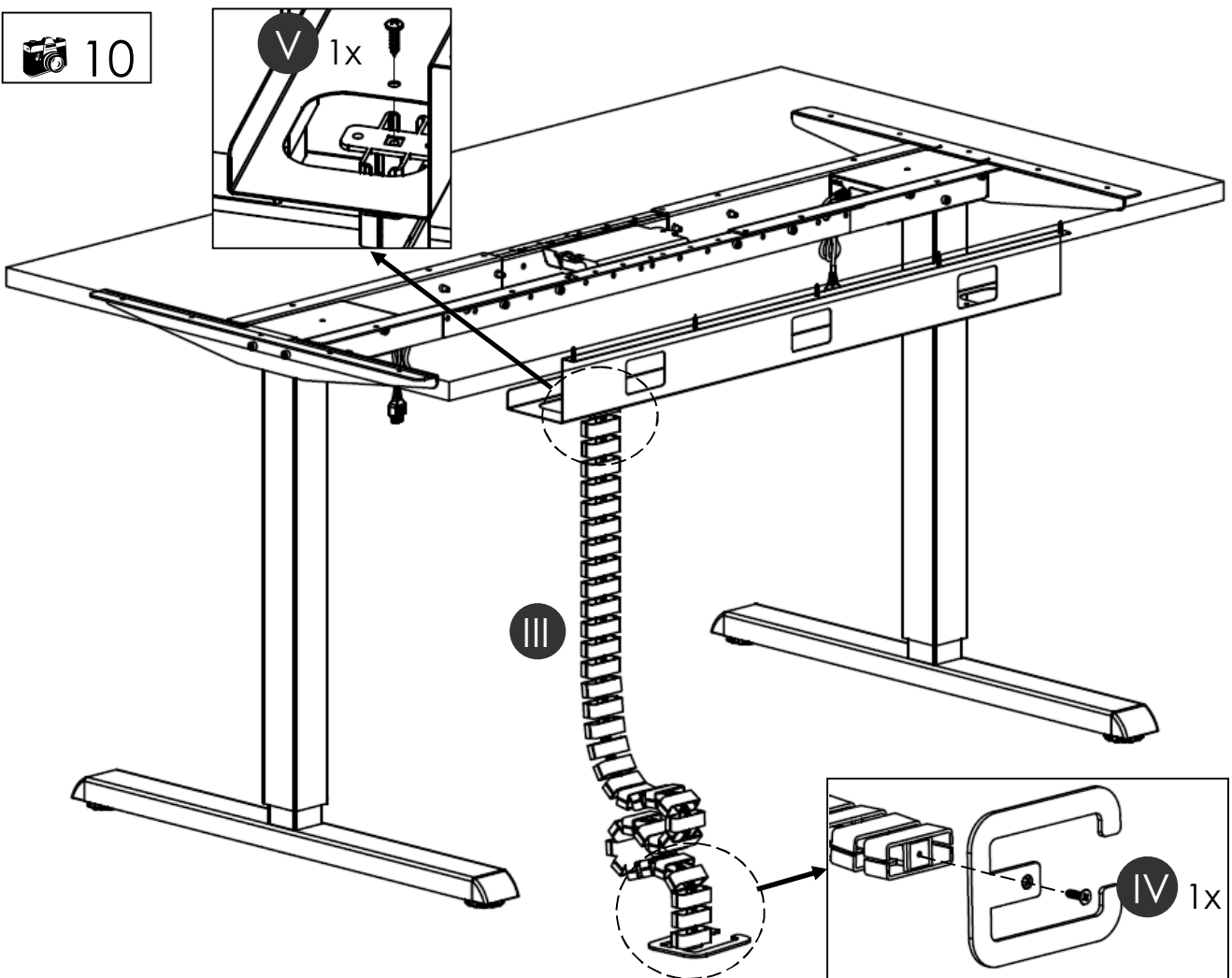
3.9 Mounting the Optional Accessories

English

 9

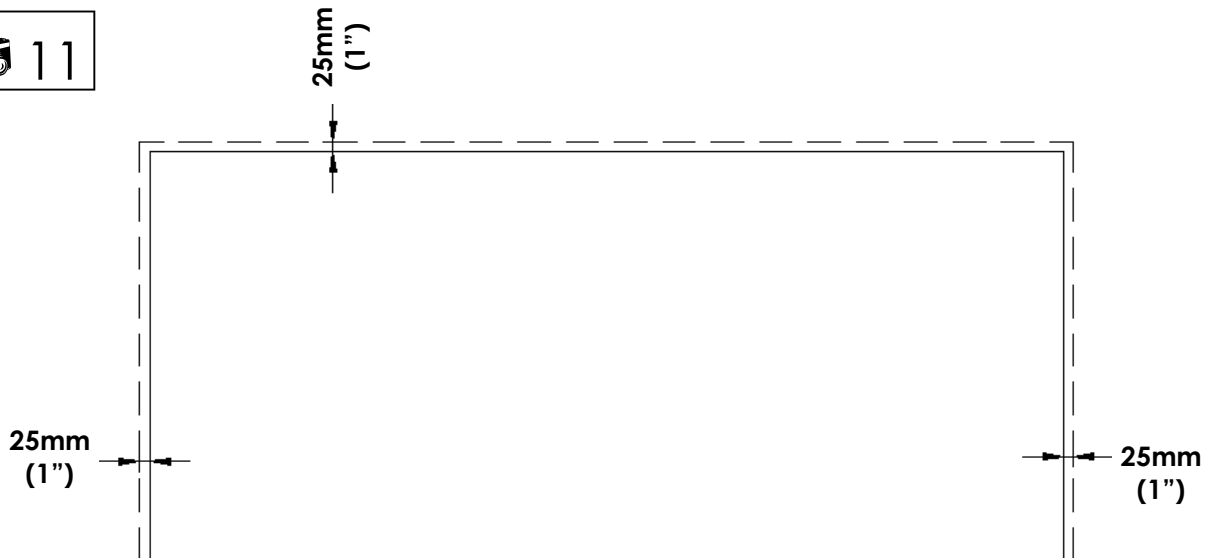


 10



3.10 Clearance around the wall or moving parts 25mm of the table

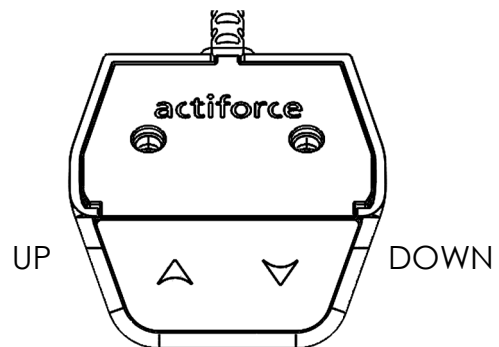
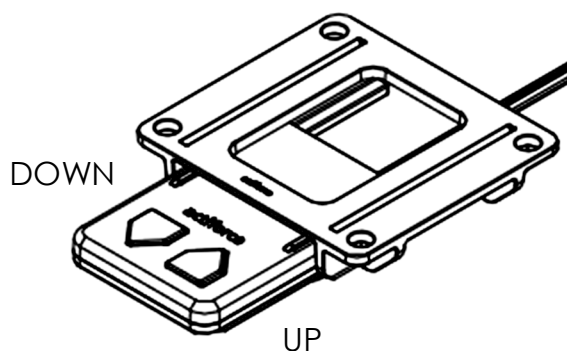
English



Allow a minimum clearance of 25mm (1") from the edge of a table top to a wall or moving parts.

3.11 Frame test without table top

	Please make sure that the workstation frame can move freely and correct at all times.
	In case you need to disconnect cables from the electrical components always be sure to disconnect power first.
	In case the height adjustment is not operating normally, stop using the workstation frame immediately and disconnect the power. Get in contact with customer service for further advise

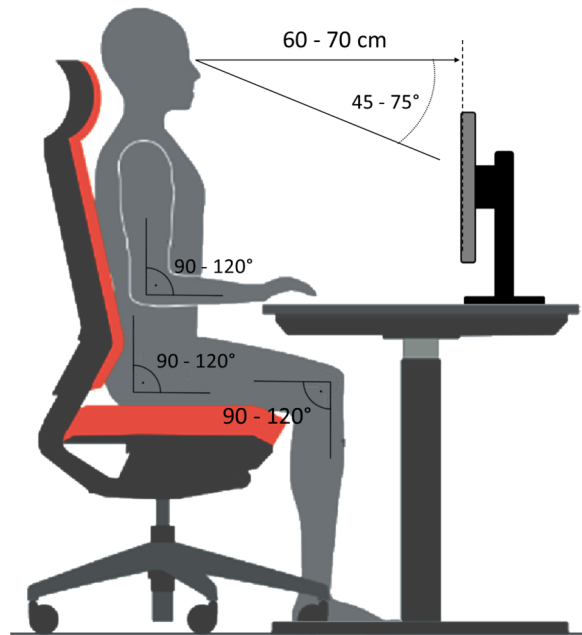


Reset Mode

The first time you put in the plug of the power supply into the socket the height adjustment can only be operated in the reset-mode. As long as the reset-mode is enabled, the system can only move downward. In order to use the system normally, please follow the next steps:

- Press and hold the down-button, the system slowly moves downward.
- Please move the system to the lowest position. This position will be used as reference-point (zero-point).
- Keep the button pressed for a moment when the system has reached the lowest position. This will end the reset-mode.
- The system can be operated normally now. Press and hold the up- or down-button to move the system to the desired height. The system stops when you release the buttons.

4 Correct position of seat



Correct sitting posture

Sitting incorrectly can lead to injuries at joints, bowstrings and muscles. In order to prevent this it is necessary to adjust your office chair and desk.

Apart from the following advise you should always prevent an uncomfortable sitting posture. If you feel that the following advices leads you to an uncomfortable sitting posture simply adapt your needs.

Office Chair

- The sitting height has to be adjusted in way that your knee is angled by 90-120° when your foot is flat on the ground.
- Sitting properly requires that your lower back touches the back rest. If possible align the seating depth in order to avoid pressure from the seat pan to your lower leg .
- Sit upright but lean back in a relaxed position. If possible adjust the lumbar support of your chair to your height. Adjust the back rest in a way that pushes your upper body slightly forward but still offering enough flexibility to yield movement.
- If possible adjust the height of your armrests. Your shoulders should be in a relaxed position when your arms are touching the arm rest.

Desk

- Adjust the table height after you have found your correct sitting posture.
- Your elbows should be angled by 90-120° when your arms rest on the table top. The edge of the top should not press against your arms.

Equipment on the desk

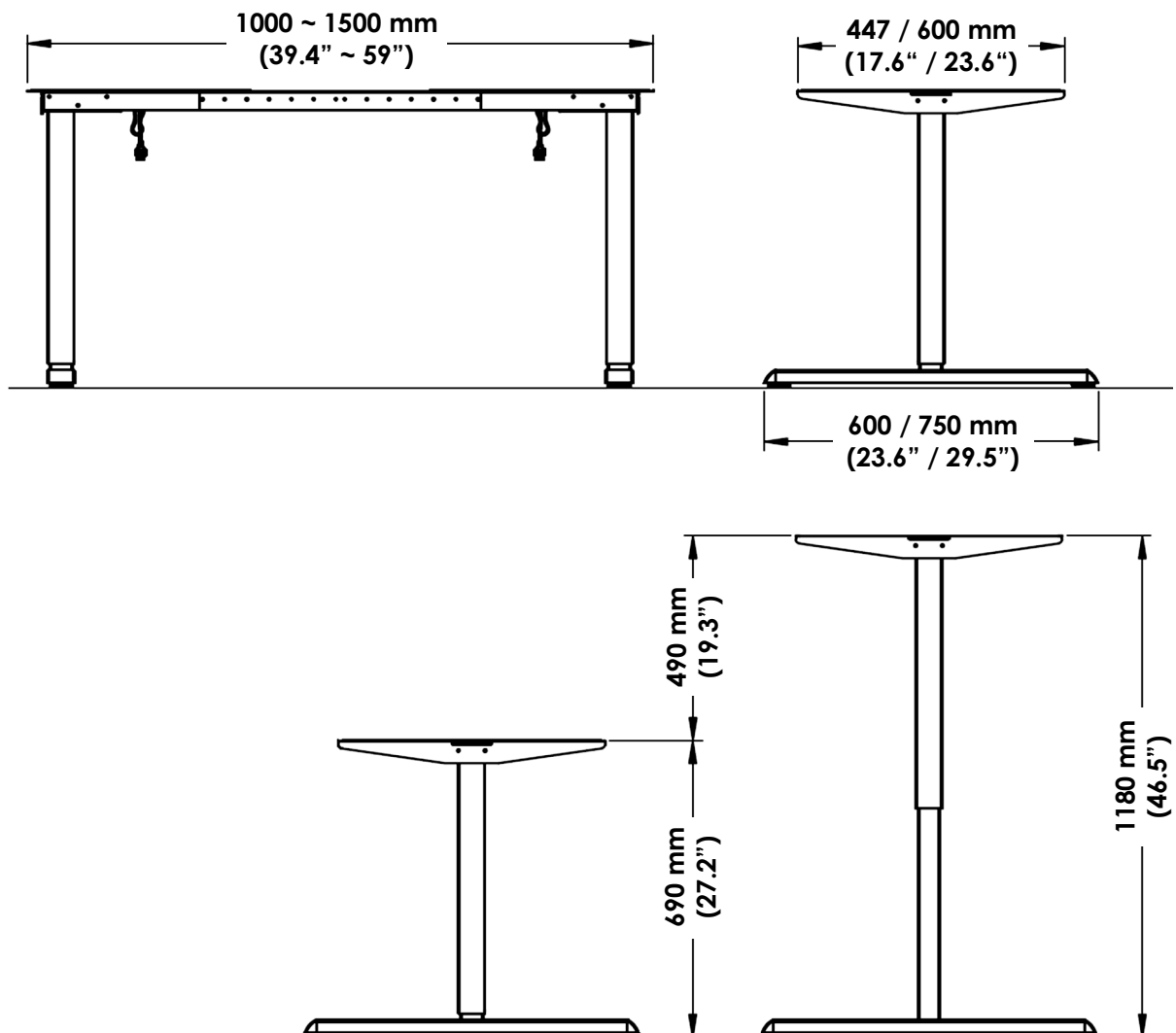
- Incident light (day light or lamps) on your monitor should approach the surface of your screen by an angle of 90°.
- The height of your monitor should be adjusted in way that enables you to look slightly downward while focusing the center of your screen.
- Please keep a distance of 60-70 cm from your screen.
- A careful posture for your wrists can be achieved by a flat narrowed keyboard.
- **Please heed the advice in the manuals of your further (ergonomical) equipment.**

5 Technical Specification

English

Assembly Manual version	SF-IM0001-0EN-DE-NL-FR-ES
Year of Publication	2020
Production country	Malaysia
System	1-step
Material	Steel, Plastic and Aluminium
Stroke (max.)	490mm (19.3")
Frame load (max.) I. SMART-e-2 II. ControlForce 2	I. 100 kg II. 120kg
Frame weight I. SF 300 with 600mm Top Support & 750mm Foot II. SF 300 with 600mm Top Support & 750mm Foot (with Optional Accessories) III. SF 300 with 447mm Top Support & 600mm Foot IV. SF 300 with 447mm Top Support & 600mm Foot (with Optional Accessories)	I. ± 24 kg II. ± 26 kg III. ± 22.5 kg IV. ± 24.5 kg
Input power I. SMART-e-2-actiforce-EU II. SMART-e-2-actiforce-US III. ControlForce 2	II. 220-240Vac, 50-60Hz, 2.5A II. 120Vac, 60Hz, 5A III. 100-240Vac, 50-60Hz, 5.3A
Speed frame load	± 39 mm/s
Duty cycle	10 % (2 Minute on / 18 Minutes off)
Noise level	< 50 dB(A)
Environmental temperature Use	15 - 30°C
Environmental temperature Storing	10 - 50°C
Humidity Use	<85%
Humidity Storing	<50%
Maximum Storing time	-
Indoor use only!!!	

(* General Tolerance = ± 10 mm)



Minimum Frame Height	690 mm	(27.2")
Maximum Frame Height	1180 mm	(46.5")
Maximum Stroke	490 mm	(19.3")
Frame Width	1000-1500 mm	(39.4" - 59")
Frame Depth	600 / 750 mm	(23.6" / 29.5")
Minimum Table Top Depth	447 / 600 mm	(17.6" / 23.6")
Maximum Frame Load	100 / 120 kg	

6 Operation and Indicators



Observe the provisions of Section 2, Safety Information on page 8, in particular:

Do not leave children unsupervised with the workstation frame. Children may be unaware of the dangers presented by the workstation frame. They would be in serious danger of injuring themselves, possibly even with fatal consequences.

Do not exceed the maximum time lag of the workstation frame. Make sure there is ample space to avoid collisions if there are objects on the work surface such as computers or computer peripherals.

6.1 Indicators



Leave the immediate surroundings of the workstation frame at once if it starts to move spontaneously. Under no circumstances attempt to operate the workstation frame.

Stop using the workstation frame at once if you notice anything unusual (strange sounds, smoke, etc.).

Have the workstation frame repaired by specialists. Refrain from using the workstation frame until it has been successfully repaired.

Stop using the workstation frame at once if its safety features fail to work as they should.

7 Troubleshooting

Problem	Possible cause	Solution
Height adjustment does not work.	Cables or connectors defective.	Check cables for damages and if necessary replace them. Power in order?
Height adjustment does not work.	If cables and connectors have been checked a possible cause could be a defective up-down switch.	Replace up-down switch.
Height adjustment does not work.	Error in power supply.	Initialize reboot.

If your problem couldn't be solved or is not listed here, please contact your customer service for further advise.

8 Customer Service

Make sure you have the workstation frame information at hand when contacting the customer service.

Retailer :

9 Manufacturer

Actiforce International B.V.

Het Steenland 20
3751 LA Bunschoten-Spakenburg
The Netherlands

+31 (0)33 4600120
www.actiforce.com
info.holland@actiforce.com

10 Recycling

10.1 Taking the workstation out of active duty

- Pull the power plug out of the electricity socket.

10.2 Taking the workstation apart

- In case of de-assembling please follow the manual backwards or contact customer service.

10.3 Recycling

- Please split all parts to their type of material. Keep notice of National restrictions!

11 EU-Declaration of Conformity in annex II A

English

We herewith confirm that the appliance as detailed below complies with the governing EU-directives (in particular with those directives mentioned below) and bulk production will be manufactured accordingly.

Article description: **Steelforce 300**

Article number: **SF30000010******
SF30000020****
SF30001011****
SF30001021****
The 1st symbol "" can be 0 (Pro-Basic), 1 (Pro-Basic (RJ11)), 2 (Eco-Basic Slide (RJ11)) or 3 (Eco-Basic Slide (DIN)).*
The 2nd symbol "" can be 0 (Smart-2-EU), 1 (Smart-2-US) or 2 (Controlforce 2).*
The 3rd symbol "" can be 11, 18, 29, 30, 78, 82, 83, 90, 94 and etc.*
The 4th symbol "" can be EU, NL, DE, DK, US, GB, WE, MY, CH and etc.*

Model: **Spindle Lift System**

Width : 1000 mm - 1500 mm
Height : 690 mm - 1180 mm
Depth : 600 / 750 mm

Technical data:

System : 1 step, electromotive
Material : Steel, plastic and aluminium
Max. load : 100.0 kg (Smart)
120.0 kg (ControlForce 2)

Governing EU-directives :

Electromagnetic Compatibility (2014/30/EC) ,
Low Voltage Directive (2006/95/EC; from 04.20.2016 this number 2014/35/EU)

Harmonised EN-Standards and general standards

UL962 IEC 60335-1 ANSI/BIFMA X5.5

The article complies with the standards as mentioned below which are necessary to obtain the CE-symbol:

EN 61000-3-2 EN 61000-3-3 EN 55014-1
EN 55014-2 EN 62233 EN 60335-1

Producer **Actiforce International BV**
Het Steenland 20
3751 LA Bunschoten-Spakenburg **Importer / distributor**
Niederlande

1 Allgemeines

1.1 Stellenwert der Montage-/Bedienungsanleitung

Das Grundprinzip für den sicheren Einsatz und den störungsfreien Betrieb dieses Arbeitsstationsgestells ist die Kenntnis der grundlegenden Sicherheitshinweise und -vorschriften. Die Montage-/Bedienungsanleitung beinhaltet die wichtigsten Informationen, die zur sicheren Montage und Bedienung des Arbeitsstationsgestells benötigt werden. Diese Montage-/Bedienungsanleitung, insbesondere die darin enthaltenen Sicherheitshinweise, sind von jeder Person zu beachten, die das Gestell aufbaut und an der fertigen Oberfläche arbeitet. Noch wichtiger ist, dass die Regeln und Vorschriften zur Unfallverhütung an dem Ort, an dem das Arbeitsstationsgestell verwendet werden soll, stets eingehalten werden

1.2 Verwendungszweck

Das Arbeitsstationsgestell darf nur als höhenverstellbarer Arbeitstisch für den Sitz-Steh-Einsatz in Büros oder anderen geschlossenen Räumen verwendet werden. Das Gestell darf nur für diesen Zweck verwendet werden. Das Arbeitsstationsgestell darf ausschließlich in Büroumgebungen aufgestellt und betrieben werden. Verwenden Sie das Arbeitsstationsgestell nicht zuhause. Bitte beachten Sie die Bestimmungen des Abschnitts 2 für Sicherheitshinweise. Kinder können sich der Gefahren, die vom Arbeitsstationsgestell ausgehen, nicht bewusst sein, wenn sie unbeaufsichtigt sind. Jede andere Verwendung gilt als nicht bestimmungsgemäß. Der Hersteller kann in keiner Weise für Schäden haftbar gemacht werden, die sich aus der unsachgemäßen Verwendung ergeben. Dieses Gerät ist nicht für den Gebrauch durch Personen (einschließlich Kinder) mit eingeschränkter körperlicher, sensorischer oder geistiger Leistungsfähigkeit oder mangelnder Erfahrung und Kenntnis bestimmt, es sei denn, sie wurden von einer für ihre Sicherheit verantwortlichen Person beaufsichtigt oder unterwiesen. Kinder sollten beaufsichtigt werden, um sicherzustellen, dass sie nicht mit dem Gerät spielen.

Zur bestimmungsgemäßen Verwendung gehört auch:

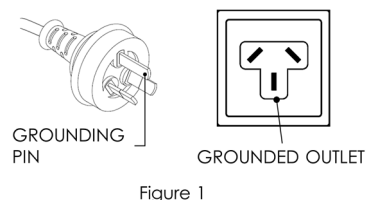
- Einhaltung aller Informationen aus der Montage-/Bedienungsanleitung und
- Verbot jeder Art von Ergänzung/Umbau der Arbeitsstation.

1.3 Unsachgemäße Verwendung

- Verwenden Sie das Arbeitsstationsgestell niemals zum Heben von Personen oder Lasten.
- Die maximale Tragfähigkeit des Arbeitsstationsgestells darf nicht überschritten werden.
- Verwenden Sie das Arbeitsstationsgestell nicht zu Hause, sondern nur im Büro.
- Arbeitsstation nur mit dem mitgelieferten Netzteil betreiben.

1.4 Erdungsvorschrift

Dieses Arbeitsstationsgestell muss geerdet werden. Schließen Sie dieses Arbeitsstationsgestell nur an eine ordnungsgemäß geerdete Steckdose an. Im Falle einer Fehlfunktion oder eines Ausfalls stellt die Erdung einen Weg mit dem geringsten Widerstand für den elektrischen Strom dar, um die Gefahr eines Stromschlags zu verringern. Dieses Arbeitsstationsgestell ist mit einem Kabel mit einem Erdungsstecker, wie in Abbildung 1 dargestellt, ausgestattet. Der Stecker muss in eine geeignete Steckdose gesteckt werden, die entsprechend den örtlichen Vorschriften und Verordnungen ordnungsgemäß installiert und geerdet ist.



Dieses Gerät verfügt über einen Erdungsanschluss nur für funktionelle Zwecke.



Für die Erdung ist die Klemme zum Anschluss an den Spannungsausgleich des Gebäudes vorgesehen, in dem das Arbeitsstationsgestell aufgestellt wird. Klemmen für den Anschluss von externen Ausgleichsleitungen müssen den Anschluss von Leitern mit Nennquerschnitten von 2,5 mm² bis 6 mm² ermöglichen.

1.5 Gefahr

Ein unsachgemäßer Anschluss der Erdungsleitung der Arbeitsstation kann zu einem Stromschlag führen. Wenden Sie sich an einen qualifizierten Elektriker, wenn Sie Zweifel haben, ob das Gerät ordnungsgemäß geerdet ist. Verändern Sie nicht den mitgelieferten Stecker.

Wenn das Netzkabel beschädigt ist, muss es durch ein spezielles Kabel oder eine spezielle Vorrichtung ersetzt werden, die beim Hersteller oder dessen Kundendienst erhältlich ist.

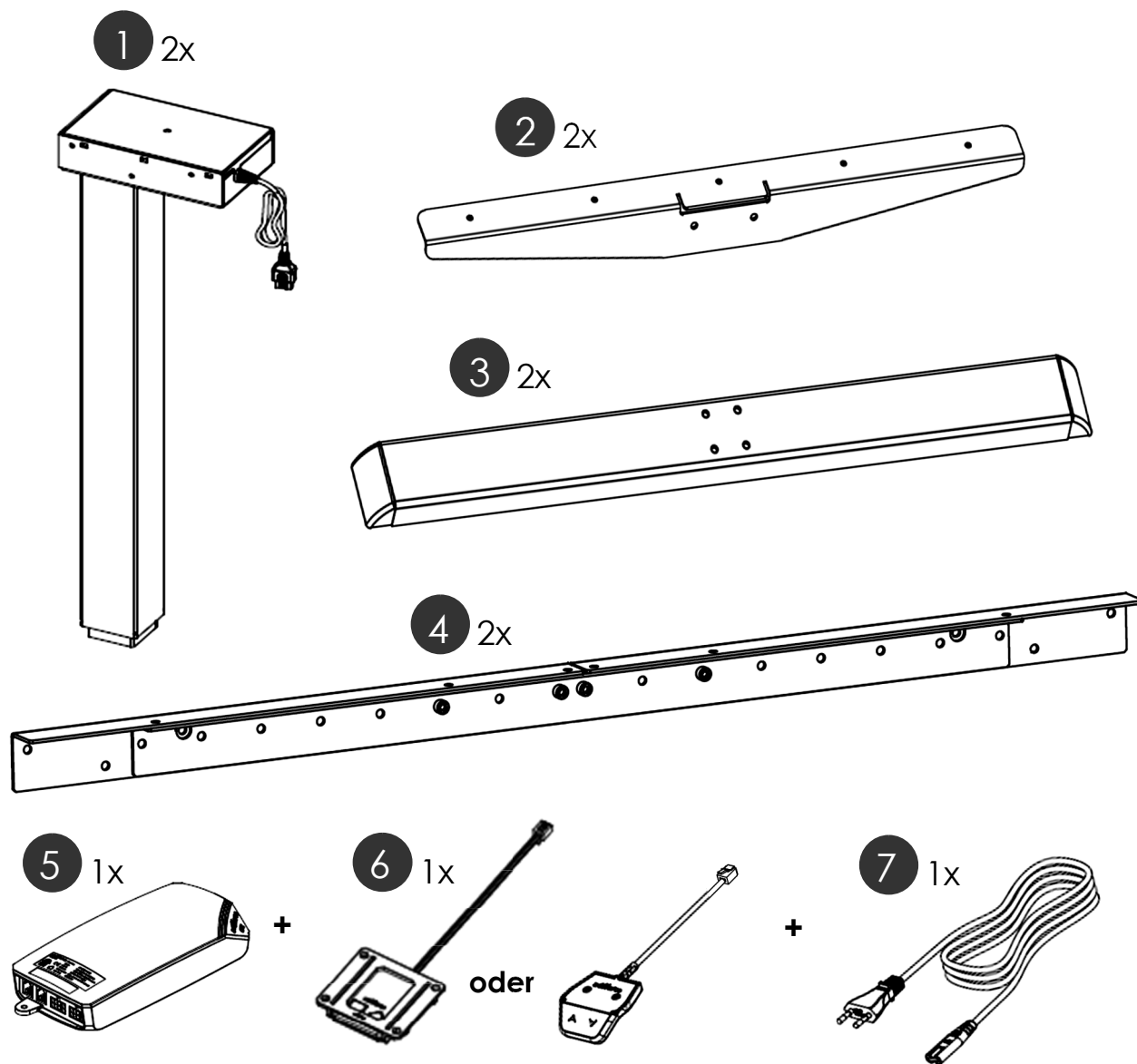
ACHTUNG: Änderungen oder Modifikationen, die nicht ausdrücklich vom Hersteller genehmigt wurden, können die Berechtigung des Benutzers zum Betrieb des Geräts aufheben.

1.6 Lieferumfang

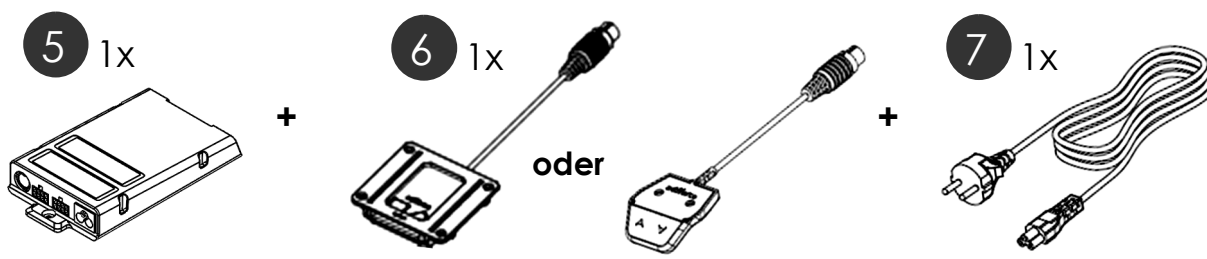


Montage muss von 2 Personen durchgeführt werden!

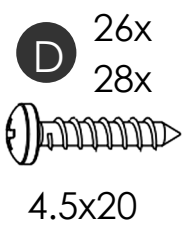
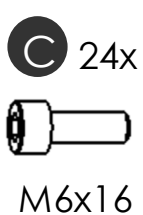
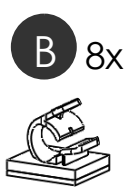
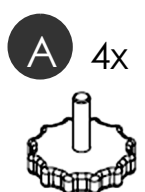
Teile



----- optional -----



Beschlägebeutel

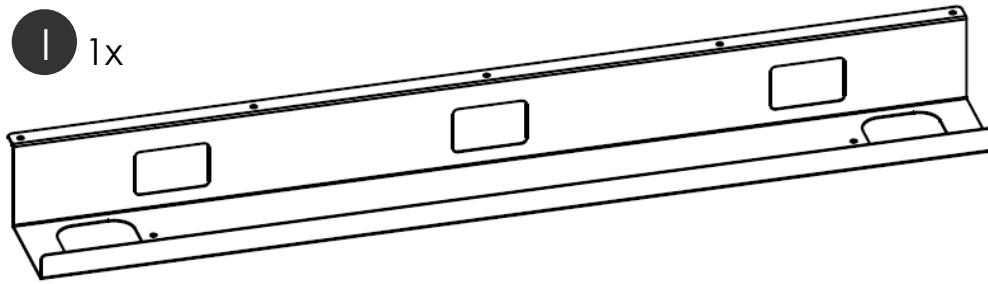


Werkzeuge



Optionales Zubehör

I 1x

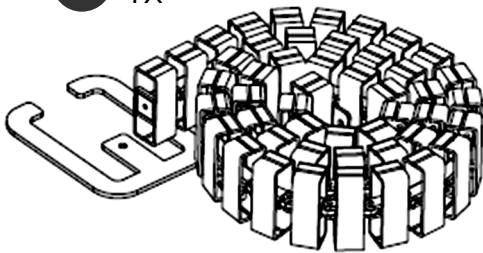


II 5x



4.5 x 20

III 1x

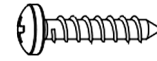


IV 3x



M4 x 16
(zusätzliche 2 Stück)

V 1x





4.5 x 16


2 Sicherheitshinweise

2.1 Symbol- und Hinweiserklärungen



In der Betriebs- und Montageanleitung werden folgende Hinweise und Symbole für Gefährdungen verwendet:

	<p>Dieses Symbol weist auf eine unmittelbar drohende Gefahr für das Leben und die Gesundheit von Personen hin. Das Nichtbeachten dieser Hinweise kann schwere gesundheitsschädliche Auswirkungen zum Beispiel lebensgefährliche Verletzungen, bis hin zur Todesfolge haben .</p>
	<p>Dieses Symbol deutet auf einen wichtigen Hinweis hin. Das Nichtbeachten kann zu Schäden am Gestell führen .</p>

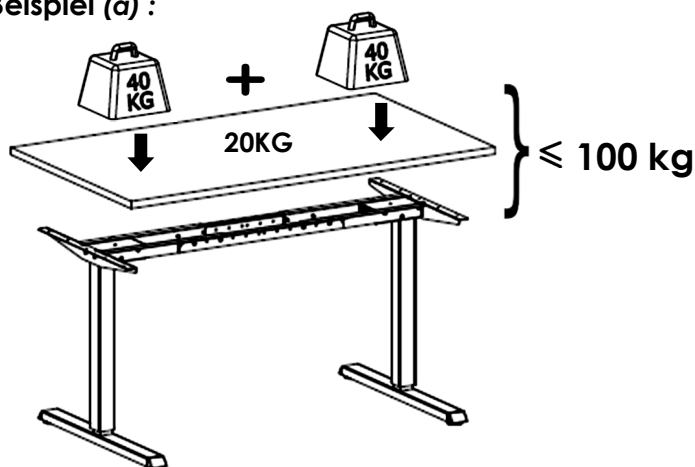
2.2 Verwendete Symbole am Tischgestell

	<p>Bringen Sie keine Gegenstände oder Körperteile unter das Tischgestell bzw. zwischen die Traversen. Eine Nichtbeachtung kann zu schweren Verletzungen oder zum Tod führen .</p>
---	---

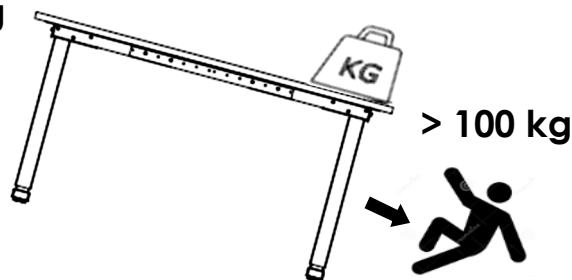
2.3 Zulässiges Gesamtgewicht auf dem Tischgestell

		<p>Belasten Sie das Tischgestell nur mit der maximal zulässigen Last von (a) 100 kg inklusive Tischplatte (Smart-e-2) (b) 120 kg inklusive Tischplatte (ControlForce 2) Vermeiden Sie einseitige Beladungen, verteilen Sie das Gewicht soweit wie möglich gleichmäßig. Eine Überlastung kann zum Zusammenbruch des Gestells führen und bei nahestehenden Personen schwere Verletzungen verursachen.</p>
--	--	--

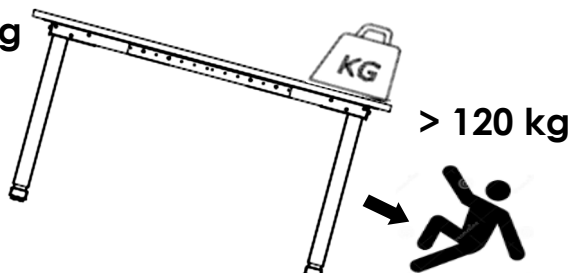
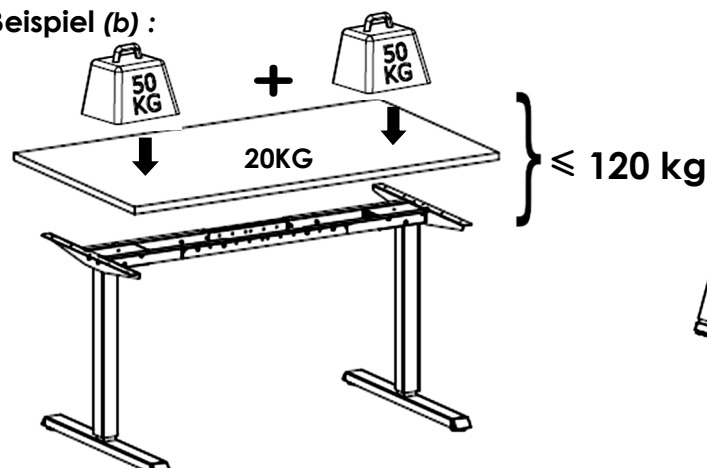
Beispiel (a) :



 Das gesamte Gewicht sollte gleichmäßig verteilt werden.



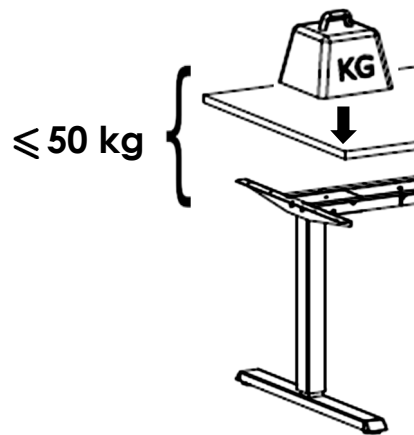
Beispiel (b) :



2.4 Zulässiges Gesamtgewicht pro Säule



Belasten Sie eine einzelne Säule mit nicht mehr als der maximal zulässigen Last von 50 kg, (inklusive Tischplatte). Eine Überlastung kann zum Zusammenbruch des Gestells führen und bei nahestehenden Personen schwere Verletzungen verursachen.



2.5 Organisatorische Maßnahmen

- Montieren Sie das Tischgestell am besten mit zwei Personen. Speziell das Umdrehen des Gestells mit montierter Tischplatte muss mit zwei Personen erfolgen!

2.6 Empfohlene Sicherheitsmaßnahmen

- Bewahren Sie die Betriebs- und Montageanleitung ständig in der Nähe des Einsatzortes des Tischgestells auf.
- Halten Sie alle Sicherheits- und Gefahrenhinweise an dem Tisch (siehe Kapitel "Verwendete Symbole am Tischgestell") in lesbarem Zustand und aktualisieren Sie diese gegebenenfalls.

2.7 Hinweise zur Montage

- Montage des Tischgestells oder Arbeiten am Tischgestell darf nur durch Personen mit einem Alter ab 16 Jahren erfolgen.
- Die Monteure müssen die Betriebs- und Montageanleitung gelesen und verstanden haben.

2.8 Transport und Montage

- Bewegen Sie das Tischgestell nur mit zwei Personen und in niedrigster Tischhöhe.
- Kippen oder ziehen Sie das Tischgestell nicht mit den Kufen über dem Boden entlang.
- Montieren Sie das Tischgestell nur mit dem beigefügten Werkzeug. Nur so ist sichergestellt, dass die Schrauben einwandfrei angezogen werden.

2.9 Benutzung des Tischgestells

- Lassen Sie Kinder nicht unbeaufsichtigt an das Tischgestell. Kinder können die Gefahren des Tischgestells nicht einschätzen. Es besteht die Gefahr von schweren Verletzungen mit Todesfolge. Zum Schutz von Kindern darf keine weitere Verstellung möglich sein.
- Benutzen Sie das Tischgestell nur in der dafür vorgesehenen Umgebung.
- Benutzen Sie das Tischgestell nicht auf einem unebenen Untergrund. Es besteht die Gefahr des Umklippens.
- Belasten Sie das Tischgestell nur bis zur maximalen Last.

2.10 Besondere Gefahrenstellen

- Beim Verstellen der Gestellhöhe besteht Verletzungsgefahr. Achten Sie bei der Verstellung des Tischgestells darauf, dass sich keine Personen in der Nähe des Tischgestells aufhalten.
- Achten Sie bei der Aufstellung des Tischgestells auf vollständige Kollisionsfreiheit (z.B. Dachschräge, bauliche Gegebenheiten, Rollcontainer, Papierkorb, usw.) in allen möglichen Verstellpositionen.
- Achten Sie auch auf Kollisionsfreiheit, wenn sich Gegenstände - z. B. EDV-Geräte - auf dem Tisch befinden.
- Halten Sie einen seitlichen Sicherheitsabstand vom mindestens 25 mm zu jedem anderen Möbelstück ein.

2.11 Hinweise für den Notfall

- Nehmen Sie das Tischgestell sofort außer Betrieb, wenn ungewöhnliche Vorkommnisse (Geräusche, Qualm, Rauch usw.) am Tischgestell entstehen sollten.
- Lassen Sie das Tischgestell durch einen Fachbetrieb reparieren. Nehmen Sie das Tischgestell erst wieder nach erfolgter Reparatur in Betrieb.

2.12 Wartung und Instandhaltung

- Das Tischgestell und seine Bauteile sind wartungsarm und erfordern keine besondere regelmäßige Wartung.
- Führen Sie keine Reparaturen am Tisch oder den Komponenten selbst durch.
- Nehmen Sie keine baulichen Veränderungen am Tisch vor.
- Tauschen Sie defekte Komponenten des Tischgestells nur gegen neue Originalteile des Herstellers aus. Verwenden Sie bitte ausschließlich Originalersatzteile des Herstellers. Lassen Sie alle damit zusammenhängenden Arbeiten von einem Fachmann unter Beachtung der Anweisungen in dieser Betriebs- und Montageanleitung durchführen.

2.13 Reinigung

- Ziehen Sie vor der Reinigung immer den Netzstecker aus der Steckdose.
- Stauben Sie das Tischgestell mit einem trockenen Lappen einmal pro Woche ab.
- Reinigen Sie das Tischgestell mit einem feuchten Tuch und mildem Reinigungsmittel alle 2 Wochen.

2.14 Restrisiken

Das Tischgestell ist nach dem Stand der Technik und den anerkannten sicherheitstechnischen Regeln gebaut. Dennoch können bei Verwendung Gefahren für Leib und Leben des Benutzers oder Dritter bzw. Beeinträchtigungen am Tischgestell oder an anderen Sachwerten entstehen. Das Tischgestell ist nur zu benutzen:

- für die sachgemäße Verwendung.
- in sicherheitstechnisch einwandfreiem Zustand .

3 Montage



Bitte beachten Sie vor der Montage die Sicherheitshinweise in Kapitel 2.

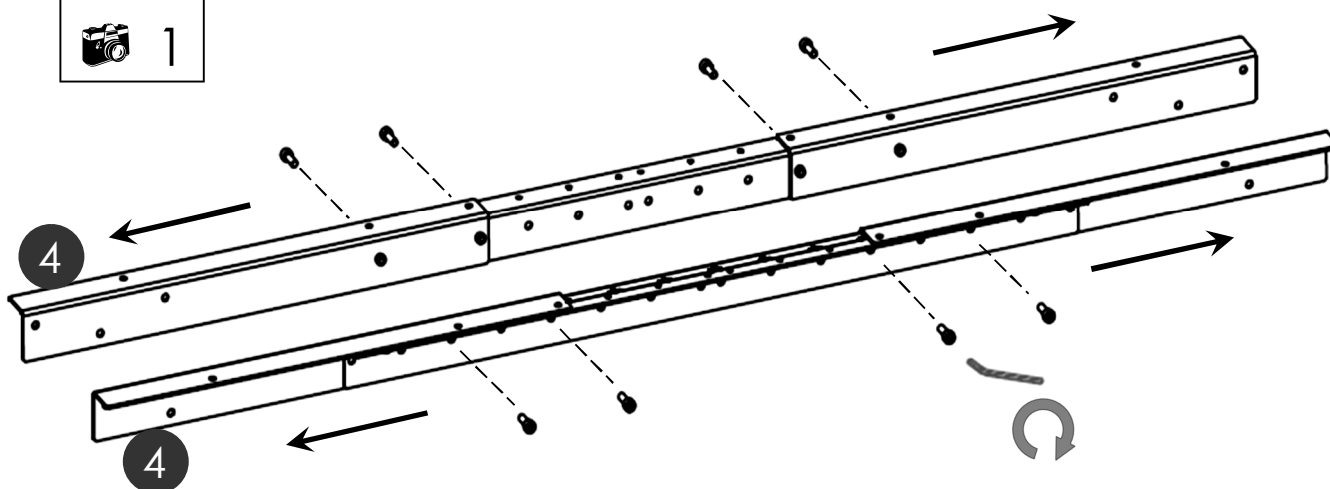


Um Komponenten und ggf. den Boden vor Kratzern zu schützen, empfiehlt es sich vor der Montage eine Unterlage zu verwenden. Dazu können Sie zum Beispiel den mitgelieferten Karton verwenden indem Sie diesen auseinanderfalten.

3.1 Einstellung der vormontierten Traverse

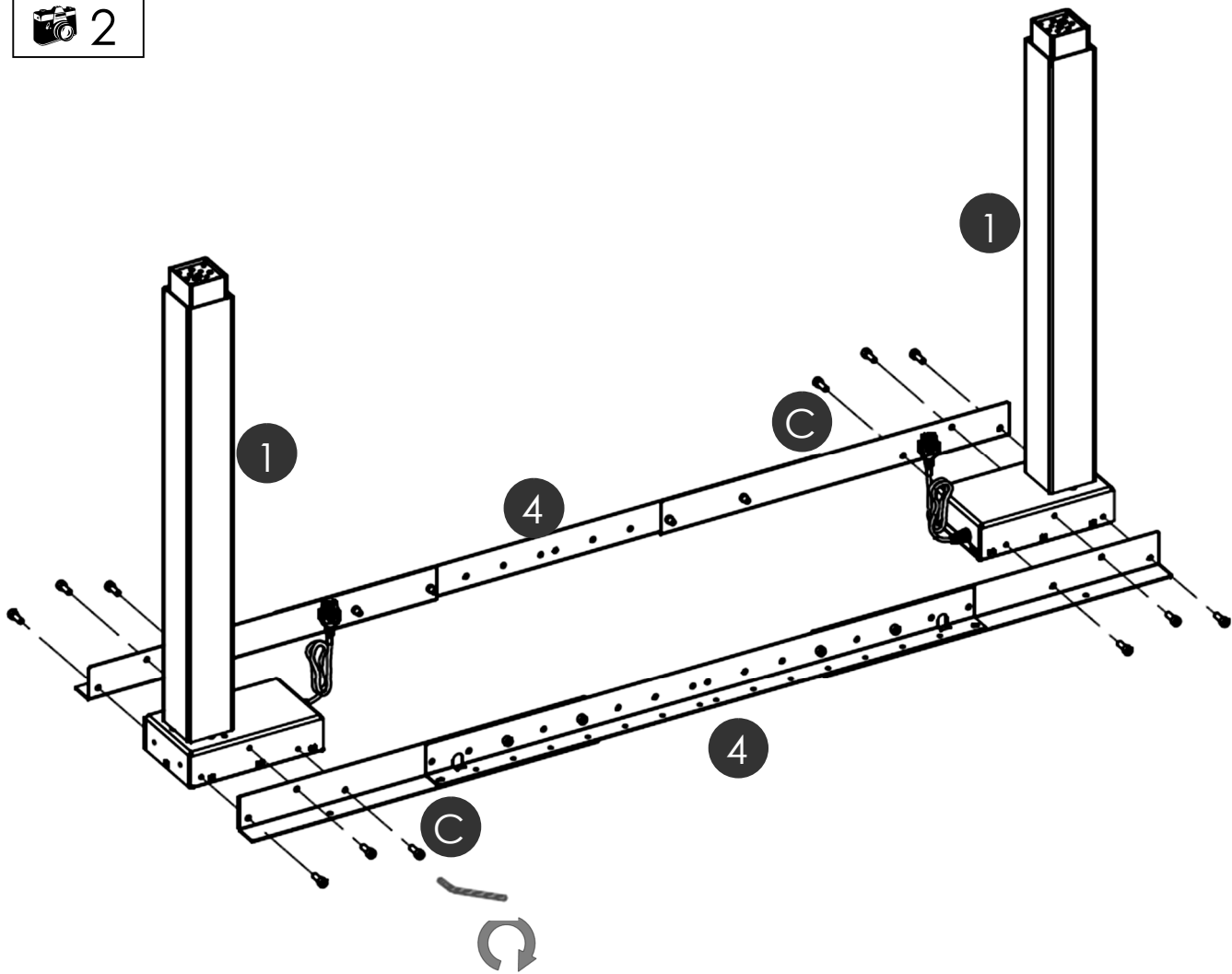
3.1.1 Empfohlene Tischplattenmaße

Gestellbreite	Tischplatten maße / Breite	Tischplatten maße / Tiefe	Tischplattenstärke
100 cm	110 cm	80 cm	2.5 cm
110 cm	120 cm	80 cm	2.5 cm
120 cm	130 cm	80 cm	2.5 cm
130 cm	140 cm	80 cm	2.5 cm
140 cm	150 cm	80 cm	2.5 cm
150 cm	160 cm	80 cm	2.5 cm



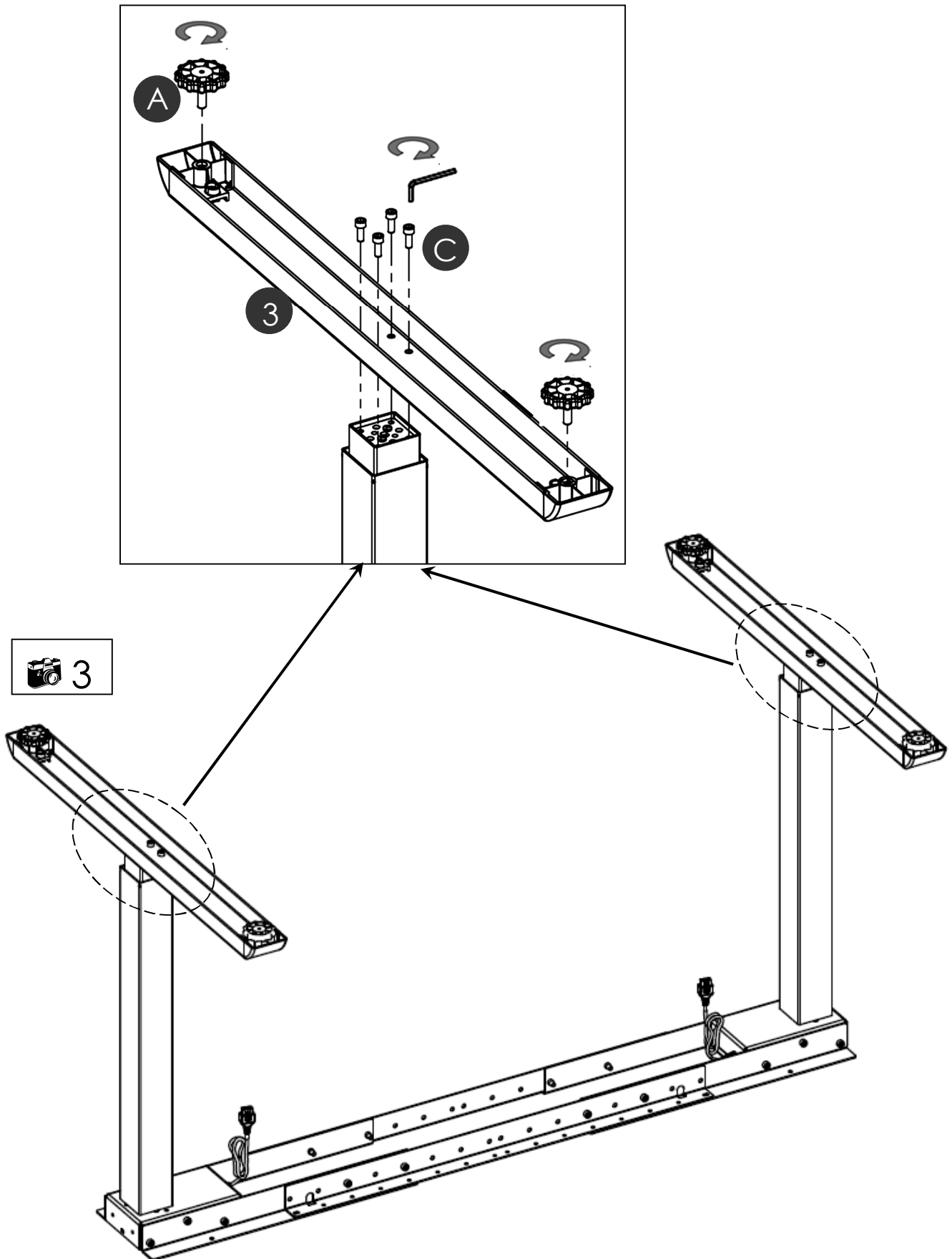
- Lösen Sie die Schraube der Traverse.
- Schieben bzw. drücken Sie das Gestell in die gewünschte Breite.
- Ziehen Sie mit Hilfe des Sechskantschlüssel die Gewindestifte an der Traverse.

3.2 Montage der vormontierten Traverse



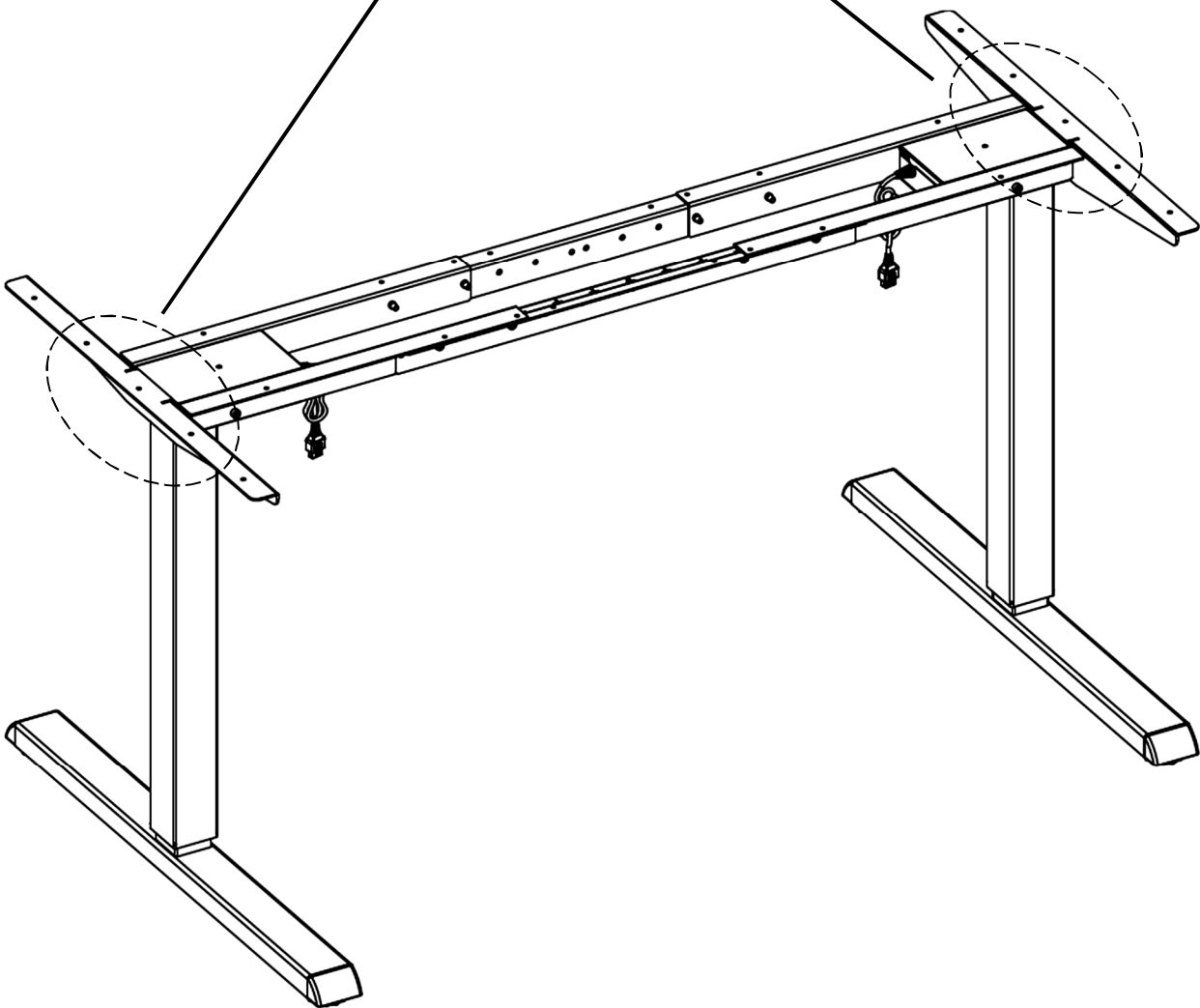
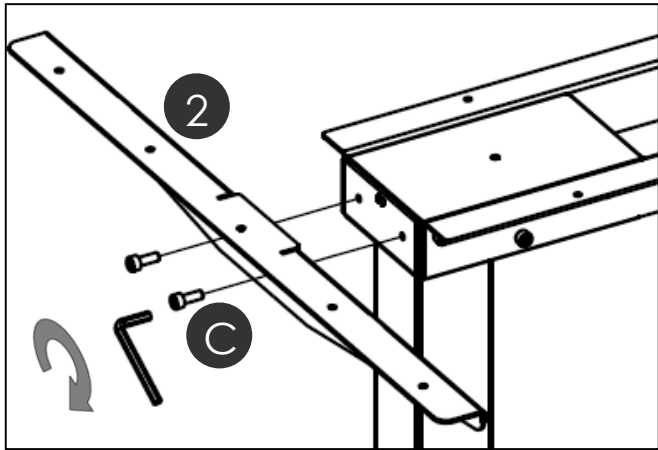
3.3 Montage der Kufen

Deutsch

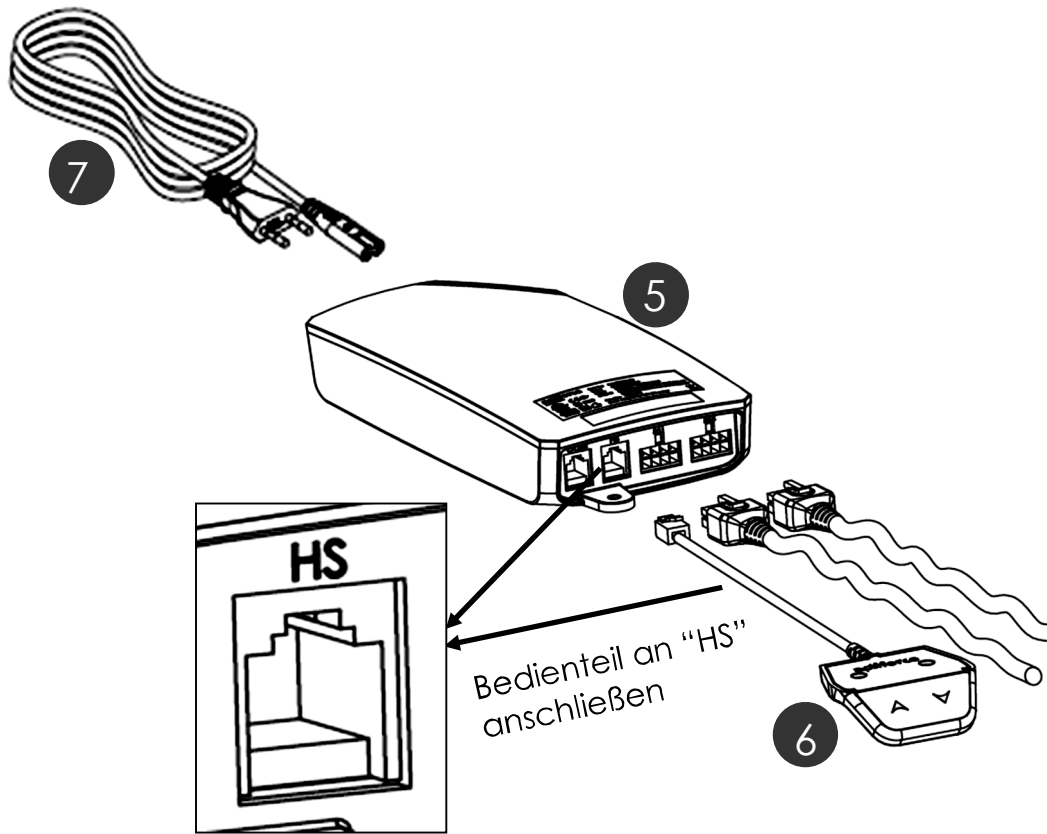


3.4 Montage der Plattenträger

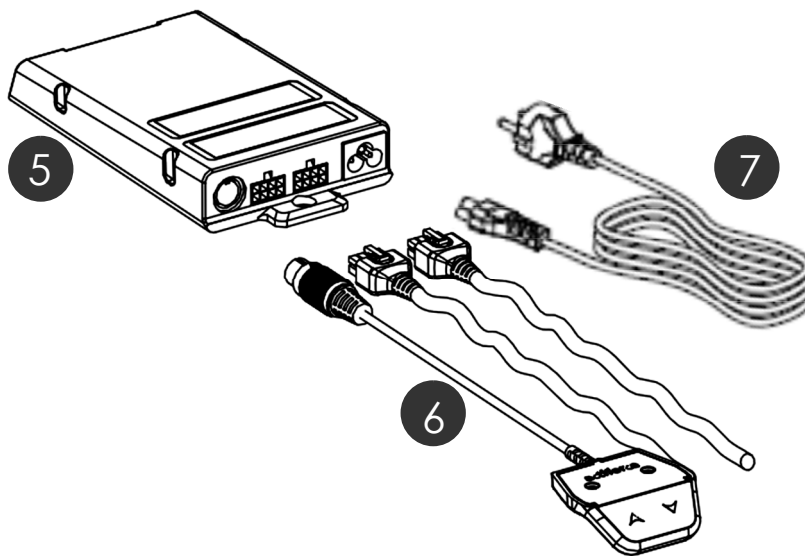
 4

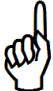


 5



OPTIONAL



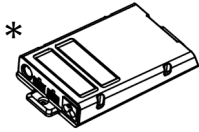
 Beachten Sie, dass der Schreibtisch, den Sie montieren, höhenverstellbar ist. Die Kabel der elektrischen Bauteile müssen der Bewegung des Schreibtisches ungestört folgen können.

3.6 Montage der Tischplatte

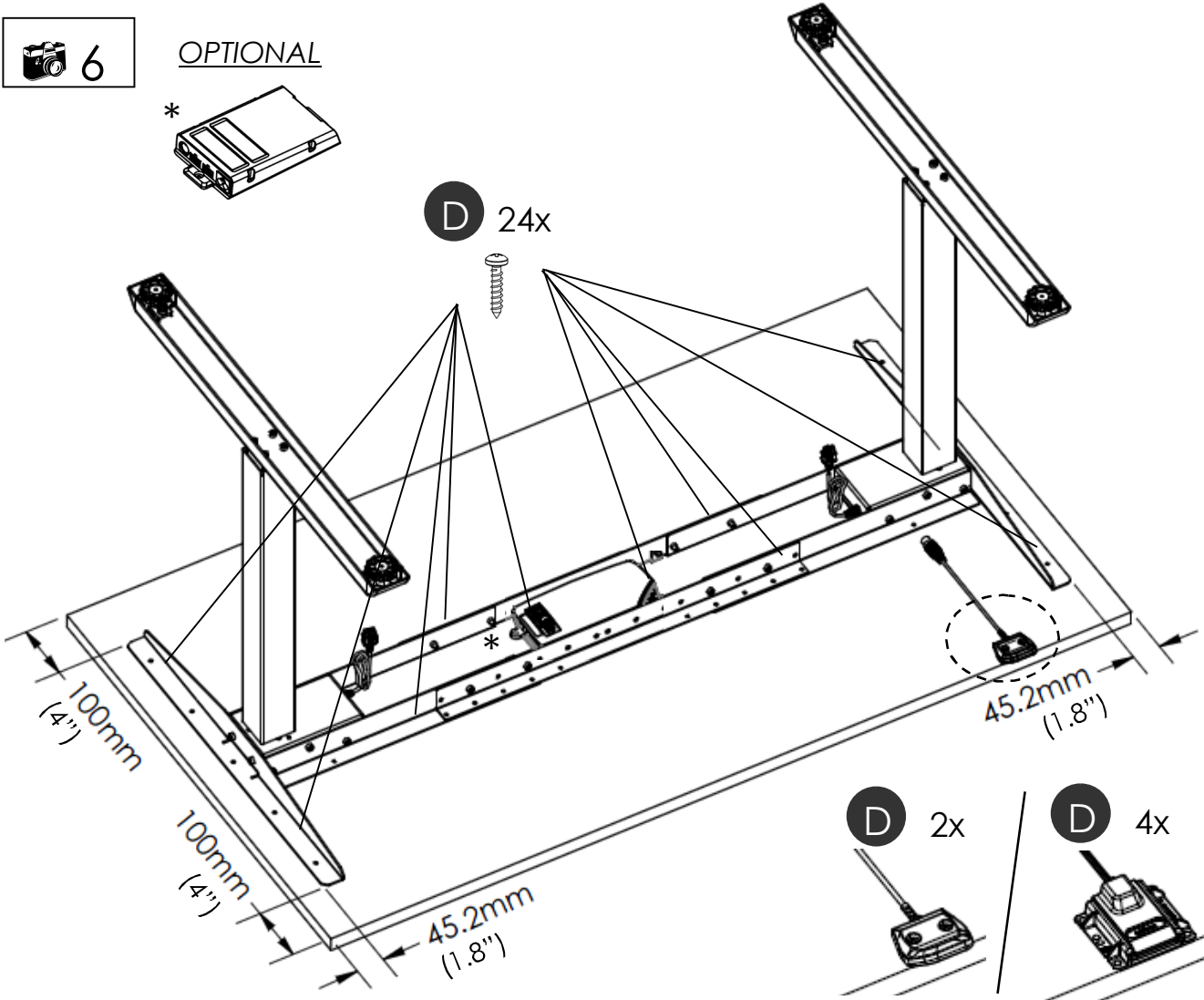
3.7 Montage des Netzteils unter der Tischplatte



OPTIONAL



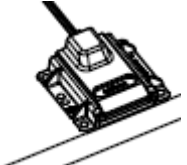
D 24x



D 2x

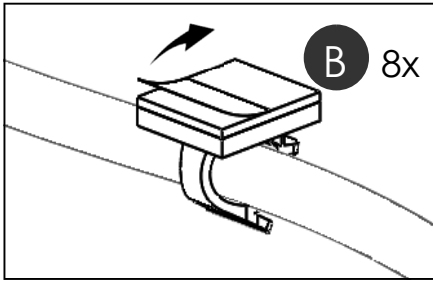


D 4x

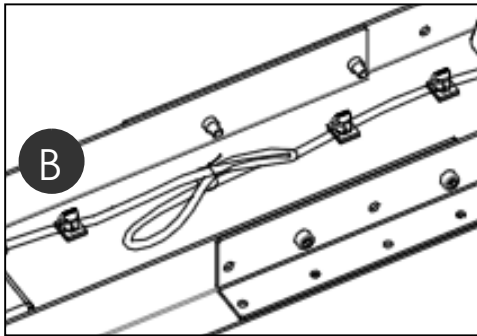


3.8 Montage der Kabelclips

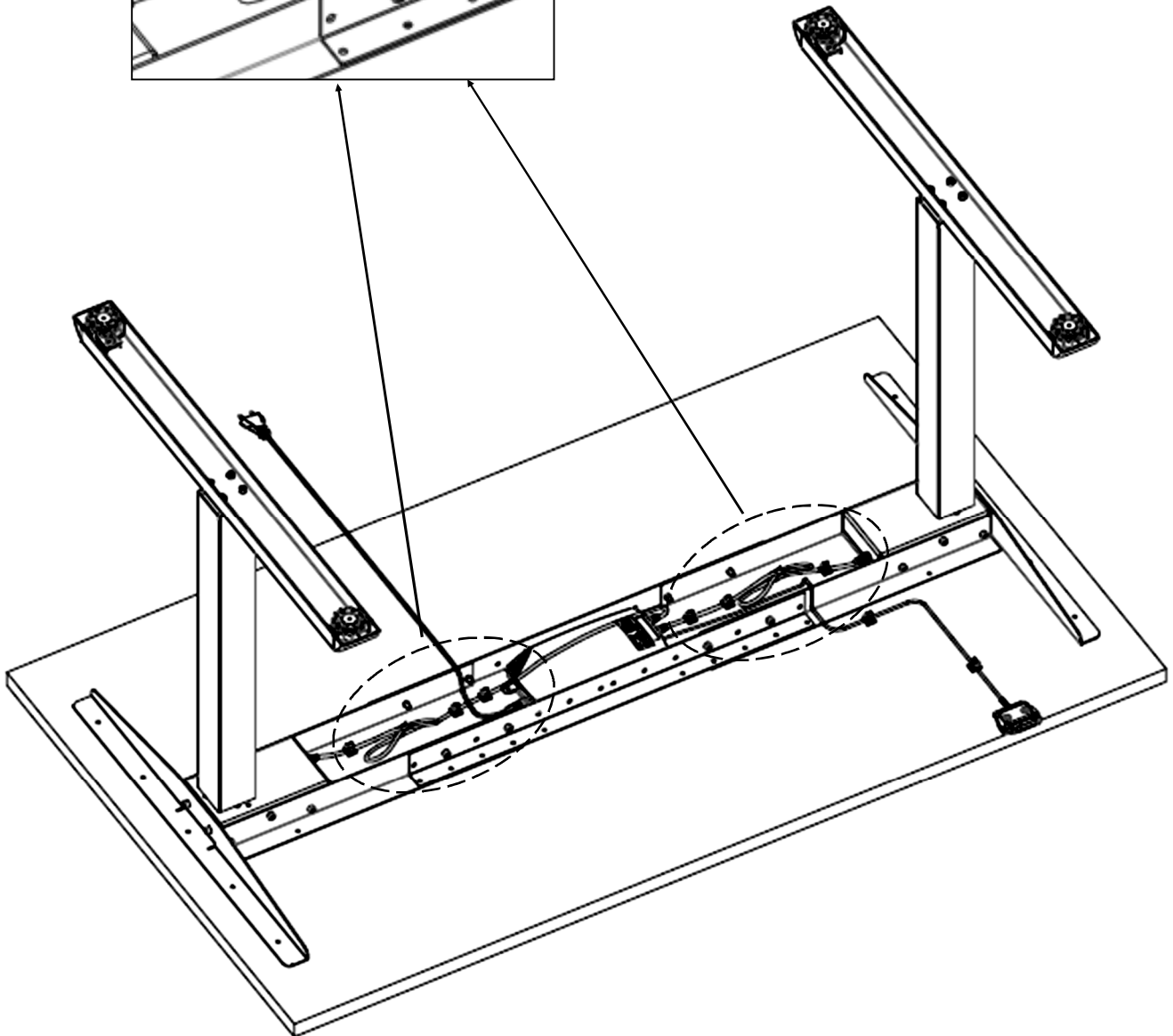
7



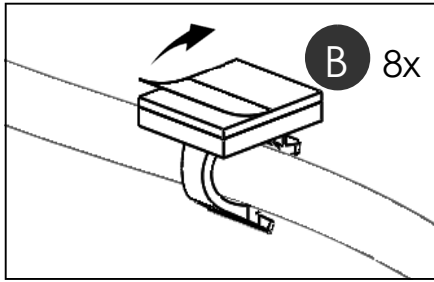
Montieren Sie die Kabelclips. Ziehen Sie das Schutzpapier ab und kleben Sie die Kabelclips an die Tischplatte. Legen Sie das Kabel durch die einzelnen Kabelclips.

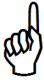


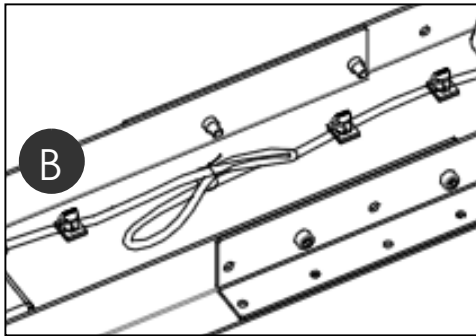
Lose kabel mit kabelbinder verbinden.



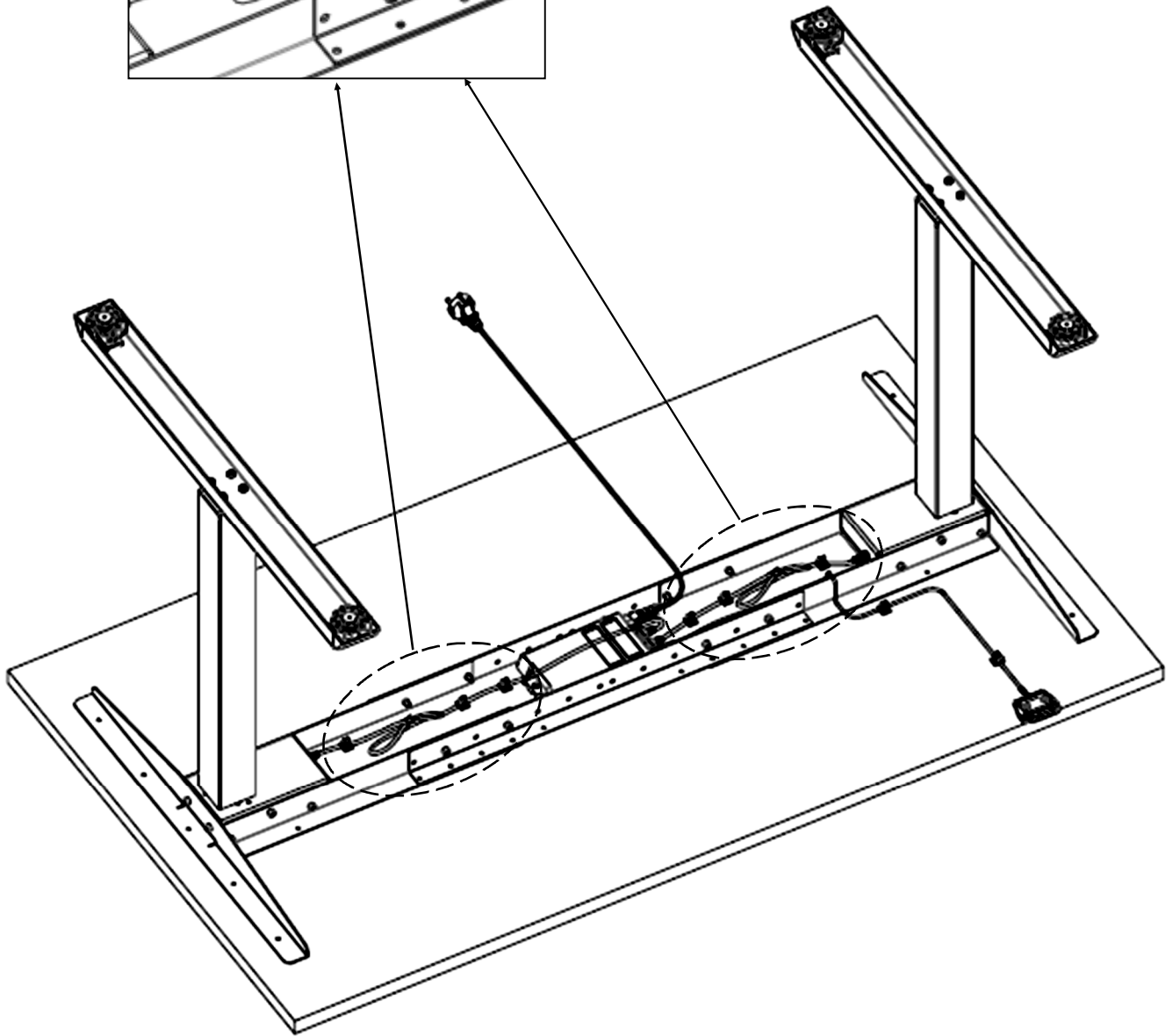
OPTIONAL



 Montieren Sie die Kabelclips. Ziehen Sie das Schutzpapier ab und kleben Sie die Kabelclips an die Tischplatte. Legen Sie das Kabel durch die einzelnen Kabelclips.



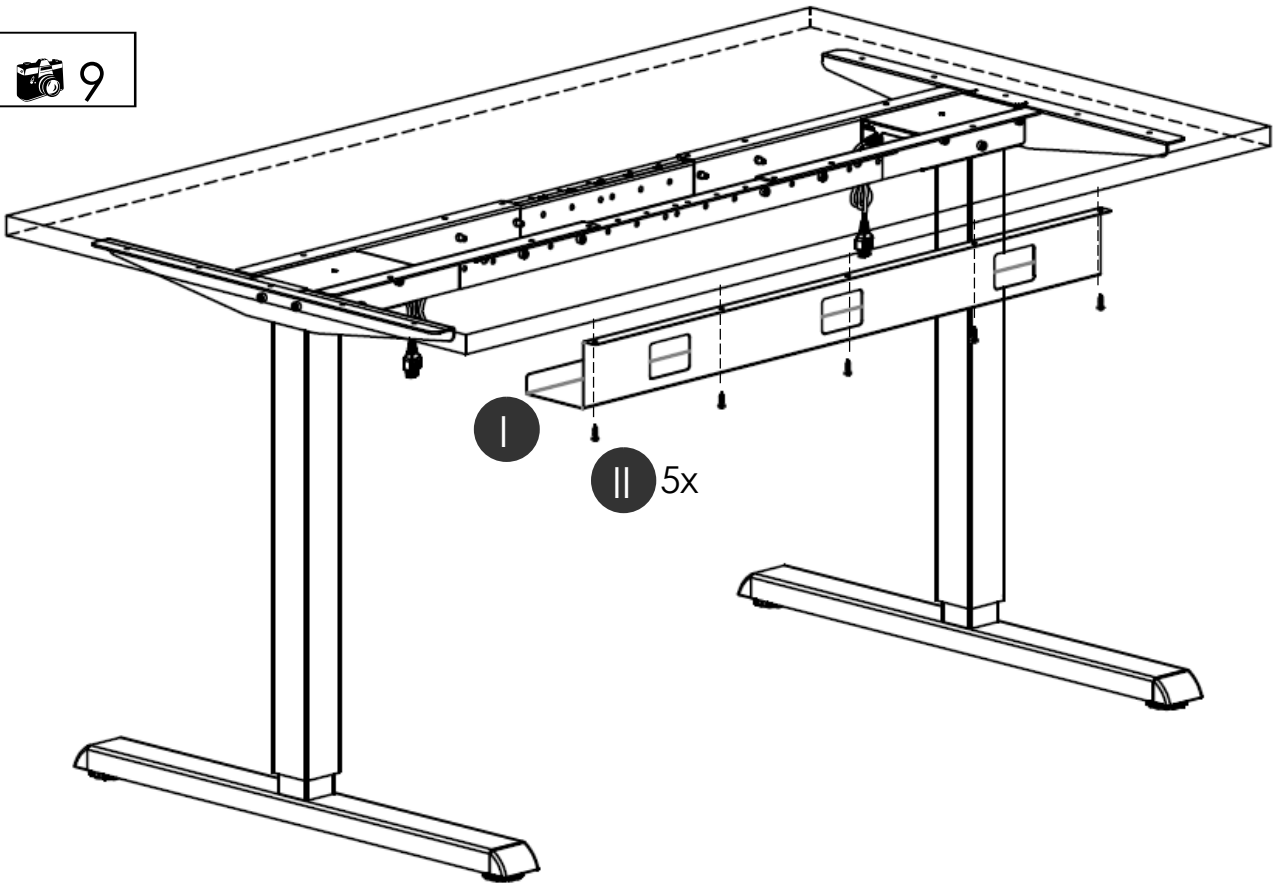
 Lose kabel mit kabelbinder verbinden.



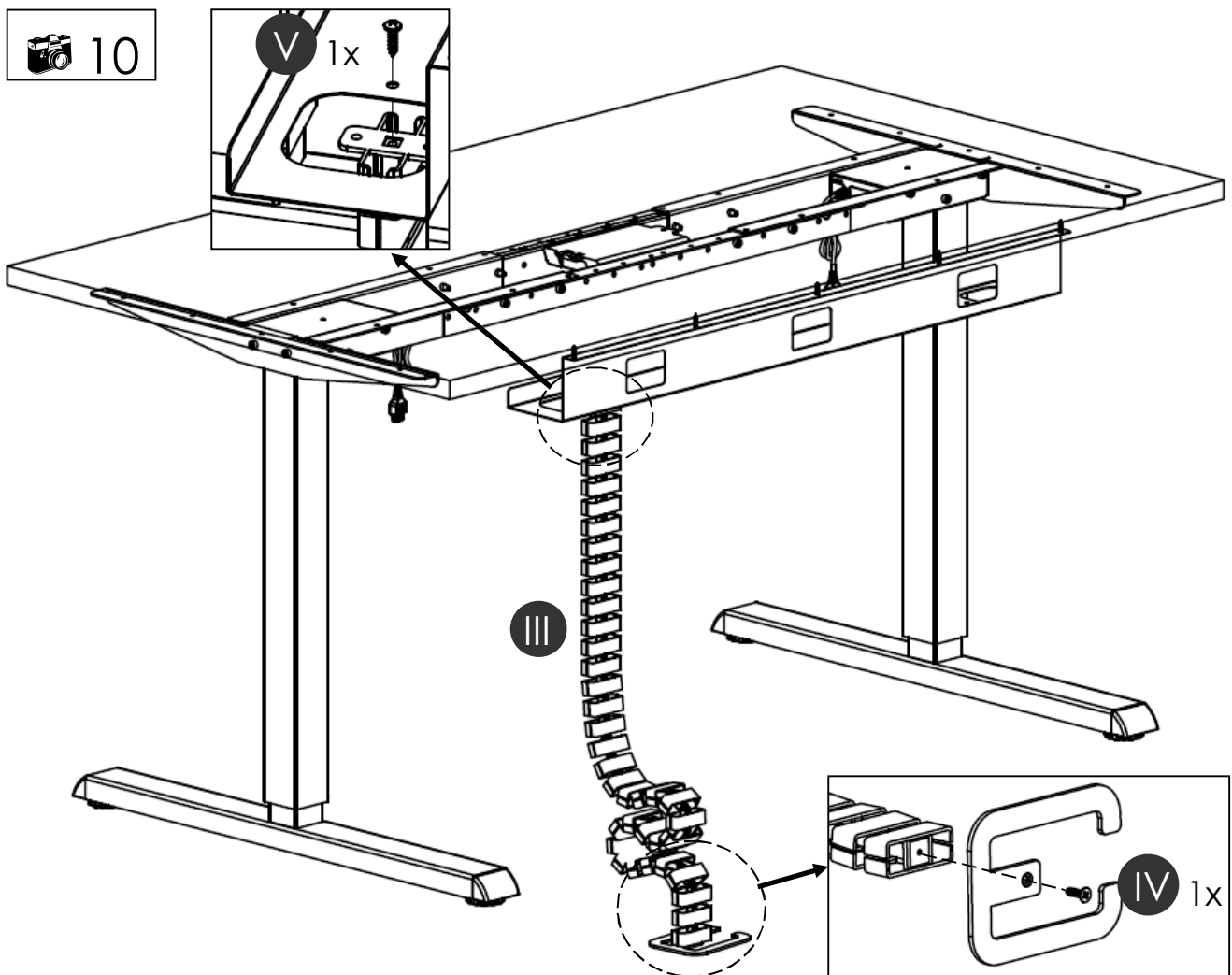
3.9 Montage des optionalen Zubehörs

Deutsch

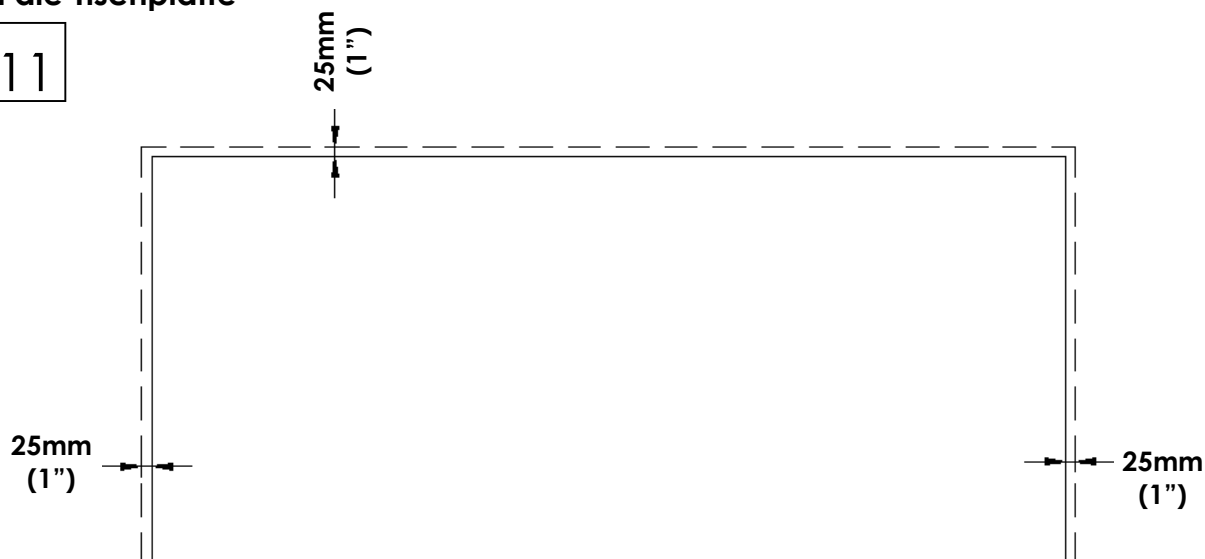
9



10



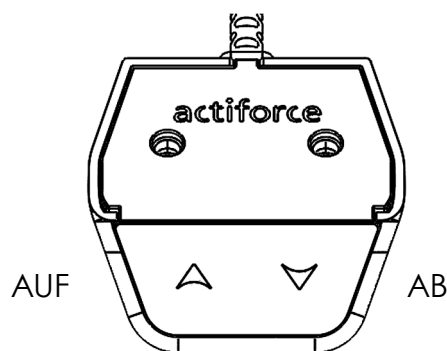
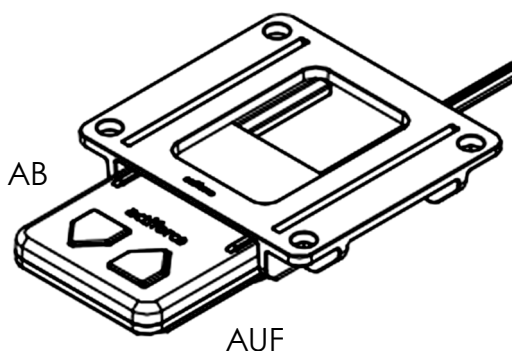
3.10 Sicherheitsabstand zur Wand oder beweglichen Teilen von 25 mm um die Tischplatte



Lassen Sie einen Sicherheitsabstand von 25 mm (1") zwischen der Kante der Tischplatte und Wänden bzw. beweglichen Teilen frei.

3.11 Test und Inbetriebnahme ohne Tischplatte

	Achten Sie darauf, daß alle Bewegungen des Tischgestells sanft und ruckfrei erfolgen.
	Wenn Sie Kabel von den elektrischen Bauteilen abziehen müssen, trennen Sie immer zunächst die Stromversorgung.
	Für den Fall, dass die Höhenverstellung nicht ordnungsgemäß funktioniert, stellen Sie die Verwendung des Tischgestells sofort ein und trennen Sie die Stromversorgung. Setzen Sie sich für weitere Schritte mit dem Kundendienst in Verbindung.



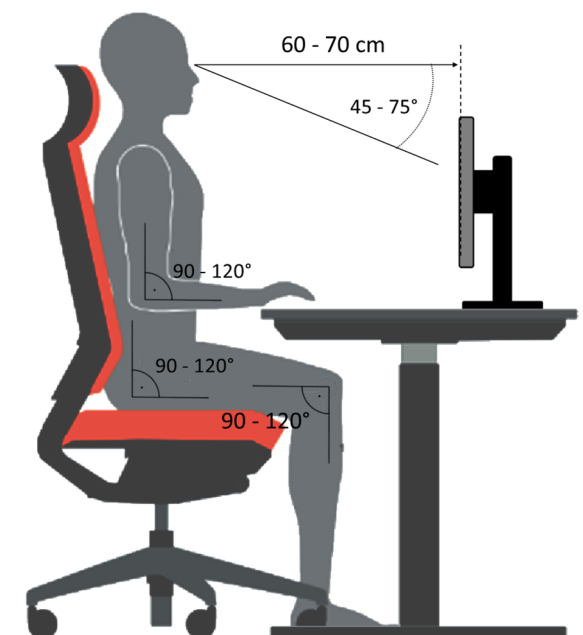
Reset-Modus

Beim erstmaligen Anschluss des Netzteils an die Stromzufuhr, ist die Höhenverstellfunktion nur im Reset-Modus zu betätigen.

Während des Reset-Modus kann das Gestell nur abwärts gefahren werden. Um diesen Vorgang abzuschließen und das Gestell normal bedienen zu können befolgen Sie bitte folgende Schritte:

- Bei Betätigung der AB-Taste bewegt sich das Tischgestell langsam nach unten.
- Das Tischgestell muss in die unterste Position gefahren werden. Diese Position dient dann als Referenzpunkt (Nullpunkt).
- Halten Sie die Taste bei Erreichen der untersten Positionen einen Augenblick lang gedrückt. Dies beendet den Reset-Modus
- Das Gestell lässt sich jetzt normal betätigen und durch drücken der Auf- bzw. Ab-Taste in die gewünschte Position fahren. Das Gestell stoppt sobald die Tasten losgelassen werden.

4 Ergonomische Sitzeinstellung



Richtige Sitzhaltung

Falsches Sitzen kann zu Gelenk- und Sehnenschäden sowie Muskelschmerzen führen. Um dies zu vermeiden, müssen der Bürostuhl und der Schreibtisch richtig eingestellt werden.

Zusätzlich zu den folgenden Empfehlungen sollten Sie unbequeme Sitzhaltungen stets vermeiden. Wenn Sie das Gefühl haben, dass die folgenden Empfehlungen bei Ihnen zu einer unangenehmen Sitzhaltung führen, passen Sie diese einfach an Ihre Bedürfnisse an.

Bürostuhl

- Die Sitzhöhe muss so eingestellt werden, dass Ihre Knie in einem Winkel von 90–120° stehen, wenn Ihr Fuß flach auf dem Boden aufliegt.
- Für eine richtige Sitzhaltung muss Ihr unterer Rücken an der Rückenlehne anliegen. Stellen Sie die Sitztiefe ggf. so ein, dass die Sitzschale keinen Druck auf Ihre Unterschenkel ausübt.
- Sitzen Sie aufrecht, lehnen Sie sich jedoch in einer bequemen Position etwas zurück. Stellen Sie die Lendenstütze des Stuhls ggf. auf Ihre Körpergröße ein. Stellen Sie die Rückenlehne so ein, dass sie Ihren Oberkörper etwas nach vorne drückt, Ihnen aber noch genug Freiraum für Bewegungen lässt.
- Stellen Sie ggf. die Höhe der Armlehnen ein. Ihre Schultern sollten sich in einer entspannten Stellung befinden, wenn Ihre Arme die Armlehnen berühren.

Schreibtisch

- Stellen Sie die Tischhöhe erst ein, wenn Sie die richtige Sitzhaltung gefunden haben.
- Ihre Ellbogen sollten einen Winkel von 90–120° aufweisen, wenn Ihre Arme auf der Tischplatte aufliegen. Die Kante der Tischplatte sollte nicht gegen Ihre Arme drücken.

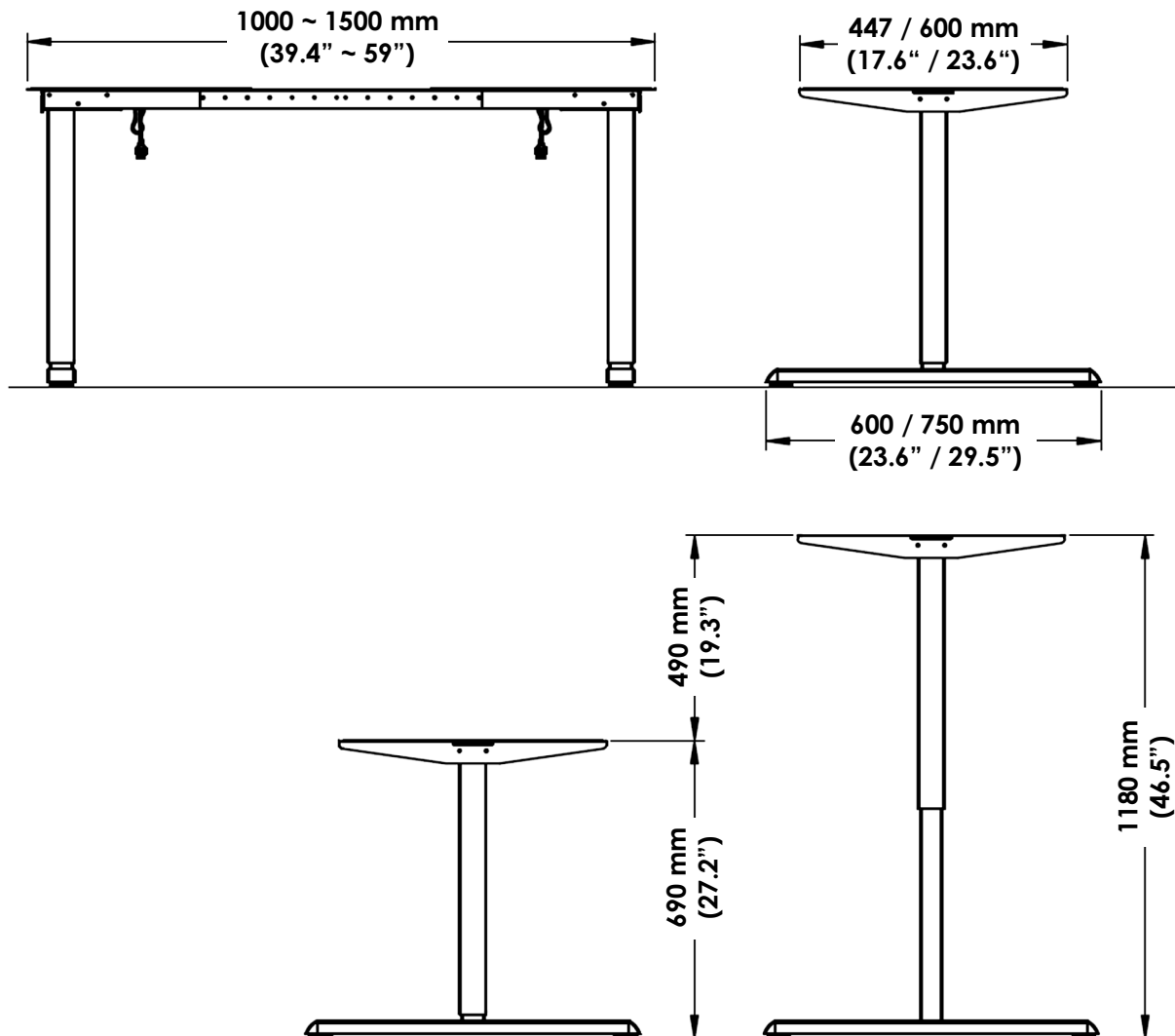
Geräte auf dem Schreibtisch

- Einfallendes Licht (Tageslicht oder Lampen) sollte Ihren Monitor in einem 90°-Winkel treffen.
- Stellen Sie die Monitorhöhe so ein, dass Sie etwas nach unten blicken müssen, um die Mitte des Bildschirms anzusehen.
- Halten Sie einen Abstand von 60–70 cm zum Bildschirm.
- Eine flache, schmale Tastatur hilft dabei, Ihre Handgelenke zu schonen.
- **Bitte beachten Sie die Empfehlungen in den Anleitungen Ihrer weiteren (ergonomischen) Ausrüstung.**

5 Technische Daten


Version der Montageanleitung	SF-IM0001-0EN-DE-NL-FR-ES
Veröffentlichungsjahr der Anleitung	2020
Ursprungsland	Malaysia
System	1-stufige
Material	Stahl, Kunststoff und Aluminium
Hub (max.)	490mm (19.3")
Gestellbelastung (max.) I. SMART-e-2 II. ControlForce 2	I. 100 kg II. 120 kg
Gestellgewicht I. SF 300 mit 600mm Plattenträger & 750mm Kufe II. SF 300 mit 600mm Plattenträger & 750mm Kufe mit optionalem Zubehör III. SF 300 mit 447mm Plattenträger & 600mm Kufe IV. SF 300 mit 447mm Plattenträger & 600mm Kufe mit optionalem Zubehör	I. ± 24 kg II. ± 26 kg III. ± 22.5 kg IV. ± 24.5 kg
Eingangsleistung I. SMART-e-2-actiforce-EU II. SMART-e-2-actiforce-US III. ControlForce 2	I. 220-240Vac, 50-60Hz, 2.5A II. 120Vac, 60Hz, 5A III. 100-240Vac, 50-60Hz, 5.3A
Geschwindigkeit mit Last	± 39 mm/s
Nutzungszyklus	10 % (2 Minuten an/18 Minuten aus)
Geräuschpegel	< 50 dB(A)
Umgebungstemperatur Betrieb	15 - 30°C
Umgebungstemperatur Lagerung	10 - 50°C
Luftfeuchtigkeit Betrieb	<85%
Luftfeuchtigkeit Lagerung	<50%
Maximale Lagerzeit	-
Gebrauch nur in Innenräumen!!!	

(* Allg. Toleranz = ± 10 mm)




Minimale Gestellhöhe	690 mm	(27.2")
Maximale Gestellhöhe	1180 mm	(46.5")
Maximaler Hub	490 mm	(19.3")
Gestellbreite	1000-1500 mm	(39.4"- 59")
Gestelltiefe	600 / 750 mm	(23.6" / 29.5")
Minimale Tischplattentiefe	447 / 600 mm	(17.6" / 23.6")
Gestellbelastung (max.)	100 / 120 kg	

6 Betriebshinweise

	<p>Beachten Sie die Bestimmungen im Abschnitt 2 Sicherheitshinweise auf Seite 5, insbesondere:</p> <p>Lassen Sie keine Kinder unbeaufsichtigt mit dem Tischgestell. Kinder können die von diesem Tischgestell ausgehenden Gefahren nicht einschätzen. Kinder können sich erheblich verletzen, bis hin zur Todesfolge. Weitere Vorkehrungen als Schutzmaßnahme gegen die Benutzung durch Kinder sind nicht erforderlich.</p> <p>Überschreiten Sie nicht die maximale zeitliche Verzögerung des Gestells. Stellen Sie sicher, dass ausreichend Platz vorhanden ist, um Zusammenstöße zu vermeiden. Dies gilt insbesondere dann, wenn sich Gegenstände auf der Arbeitsfläche befinden, etwa Computer, Arbeitsmaterial etc.</p>
---	---

6.1 Fehlfunktionen

	<p>Entfernen Sie sich umgehend aus der unmittelbaren Umgebung des Gestells, wenn dieses sich ohne Bedienung bewegen sollte. Versuchen Sie auf keinen Fall, das Tischgestell zu verwenden.</p> <p>Nehmen Sie das Tischgestell sofort außer Betrieb, wenn ungewöhnliche Vorkommnisse (Geräusche, Qualm, Rauch, usw.) am Tischgestell entstehen sollten.</p> <p>Lassen Sie das Tischgestell durch einen Fachbetrieb reparieren. Nehmen Sie das Tischgestell erst wieder nach erfolgter Reparatur in Betrieb.</p> <p>Stellen Sie die Verwendung des Tischgestells umgehend ein, wenn die Sicherheitsvorrichtungen nicht mehr ordnungsgemäß arbeiten.</p>
---	--

7 Fehlerbehebung

Problem	Mögliche Ursache	Lösung
Gestell bewegt sich nicht.	Kabel oder Anschlüsse schadhaft.	Alle Anschlüsse prüfen. Stromzufuhr einwandfrei?
Gestell bewegt sich nicht.	Wenn die Anschlüsse kontrolliert wurden, kann das Bedienteil schadhaft sein.	Bedienteil austauschen.
Gestell bewegt sich nicht.	Fehler im Netzteil.	Neustart des Systems durchführen.

Sollte Ihr Problem nicht in der obigen Liste behandelt sein, setzen Sie sich bitte mit dem Kundendienst in Verbindung.

8 Kundendienst

Bei Inanspruchnahme des Kundendienstes bitte stets den Tischgestelltyp angeben.

Händler :

9 Hersteller

Actiforce International B.V.

Het Steenland 20
3751 LA Bunschoten-Spakenburg
The Netherlands

+31 (0)33 4600120
www.actiforce.com
info.holland@actiforce.com

10 Entsorgung

10.1 Außerbetriebnahme des Tischgestells

- Ziehen Sie den Netzstecker aus der Steckdose.

10.2 Tischgestell abbauen und ggf. zerlegen

- Zwecks Abbau und Zerlegung des Tischgestell setzen Sie sich ggf. mit dem Kundendienst Ihres Fachhändlers in Verbindung.

10.3 Entsorgung

- Demontieren Sie das Tischgestell nach Werkstoffen getrennt und entsorgen Sie diese umweltgerecht. Bitte nationale Vorschriften beachten!

1 Algemeen

1.1 Waarde van de montage- en gebruikershandleiding

Kennis van de basisveiligheidsinformatie en de voorschriften zijn de leidraad voor een veilige en probleemloze toepassing van deze werktafel. Deze montage- en gebruikershandleiding bevat de belangrijkste informatie die nodig is voor het veilig monteren en gebruiken van het tafelframe. Deze montage- en gebruikershandleiding, en in het bijzonder de veiligheidsinformatie, moet als leidraad dienen voor de persoon die het frame gaat monteren en in gebruik gaat nemen. Wat nog belangrijker is, zijn de regels en de voorschriften die van toepassing zijn voor het voorkomen van ongevallen die tijdens de montage van de werktafel altijd nageleefd moeten worden.

1.2 Beoogd gebruik

Het tafelframe mag alleen worden gebruikt in kantoren of andere afgesloten ruimten als in hoogte zijnde verstelbare werktafel voor zittend of staand gebruik. Het tafelframe is alleen voor dit doeleinde bedoeld. Het tafelframe kan eventueel veilig in een kantooromgeving worden gemonteerd. Het tafelframe is niet geschikt voor thuisgebruik. Houd rekening met de veiligheidsvoorschriften zoals omschreven in hoofdstuk 2; Veiligheidsinformatie. Zonder toezicht kunnen kinderen onbewust de gevaren opzoeken van het tafelframe. Elk ander gebruik dan het bovenstaande is ongepast. De fabrikant kan op geen enkele manier aansprakelijk worden gesteld voor schade die voortvloeit uit onjuist gebruik. Dit apparaat is niet bedoeld voor personen (inclusief kinderen) met verminderde lichamelijke, zintuiglijke of geestelijke vermogens, of gebrek aan ervaring en kennis, tenzij ze zijn begeleid tijdens het gebruik door een persoon die verantwoordelijk is voor hun veiligheid. Houd toezicht op spelende kinderen.

Beoogd gebruik houdt ook in:

- Het bestuderen van alle informatie uit de montage- en bedieningshandleiding en
- Het verbod op elke vorm van uitbreiding/aanpassing van de werktafel.

1.3 Onjuist gebruik

- Gebruik het tafelframe nooit als lift voor mensen of goederen.
- Overschrijd niet het maximale draagvermogen van het tafelframe.
- Gebruik het tafelframe niet thuis; gebruik het alleen in kantoren.
- Bedien de werktafel alleen met het inbegrepen bedieningspaneel.

1.4 Aarding instructie

Het tafelframe moet geaard worden. Sluit het tafelframe alleen aan op een goed geaard stopcontact. Als deze een storing veroorzaakt of kapot gaat, dan zorgt de aarding ervoor dat de elektriciteit wordt omgeleid om het risico op een elektrische schok te verkleinen. Het tafelframe is uitgerust met een snoer en een geaarde stekker zoals te zien is op afbeelding 1. De stekker moet in een geschikt stopcontact worden gestoken dat tevens volgens de lokale normen correct geïnstalleerd en geaard is.

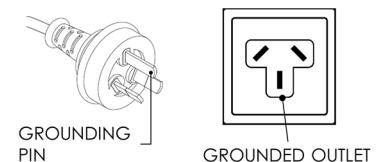


Figure 1

Dit apparaat bevat een aardaansluiting voor alleen deze gebruiksfunctie.



De aarding biedt alleen bescherming wanneer de terminal wordt aangesloten op de potentiaalvereffening van het gebouw waarin het werkstationframe wordt geplaatst. Terminals voor de aansluiting van externe potentiaalvereffeningsgeleiders zijn geschikt voor de aansluiting van geleiders met een nominaal dwarsdoorsnedeoppervlak van 2,5 mm² tot 6 mm².

1.5 Gevaar

Een verkeerde aansluiting van de aardgeleider van het werkstationframe kan een elektrische schok veroorzaken. Raadpleeg een erkende elektricien als u twijfelt of het product op de juiste manier is geaard. Breng geen veranderingen aan de bij het product geleverde stekker aan. Als de voedingsskabel beschadigd is, moet deze worden vervangen door een speciale kabel of set die verkrijgbaar is bij de fabrikant of diens servicevertegenwoordiger.

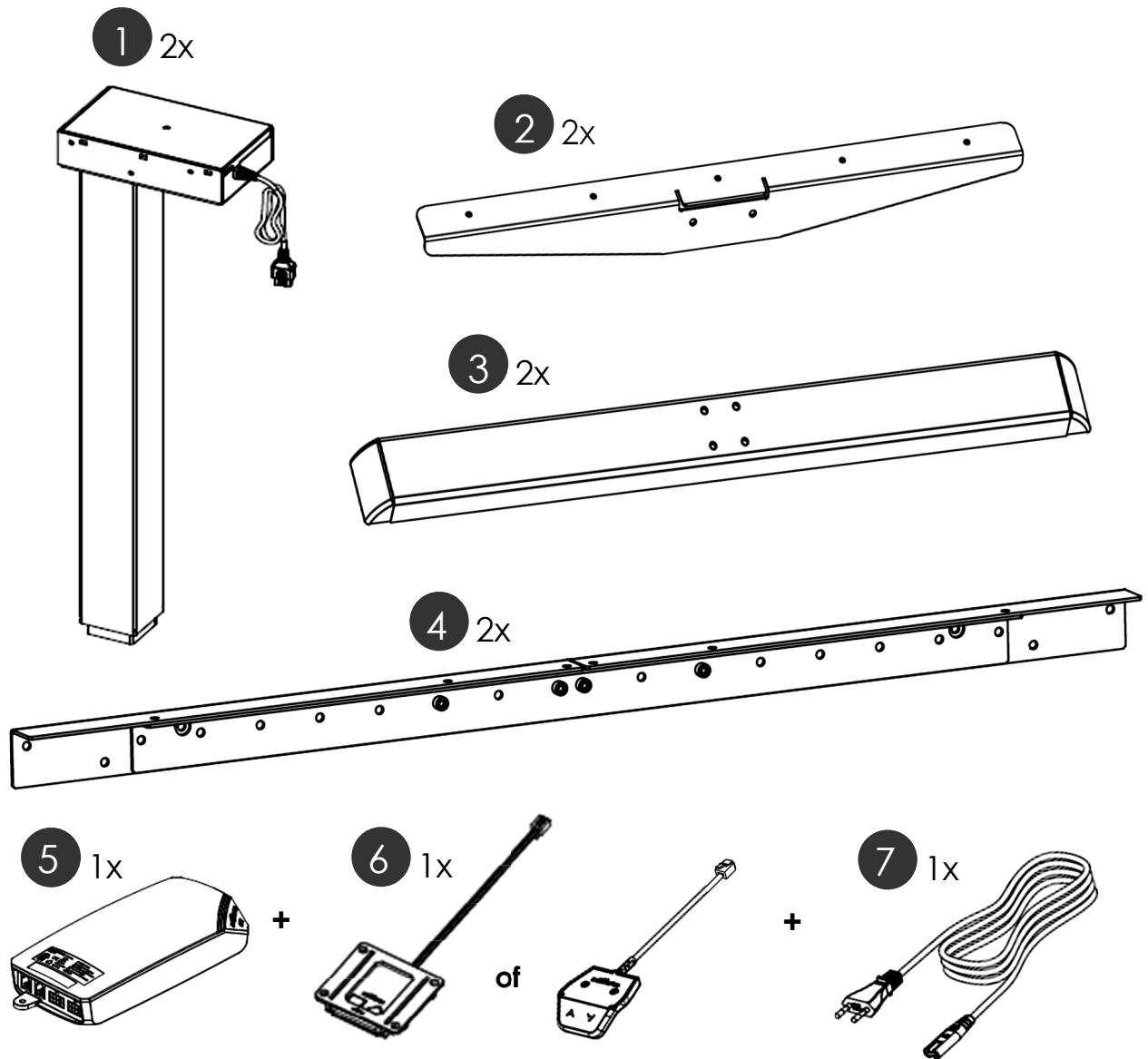
WAARSCHUWING: Wijzigingen of aanpassingen die niet uitdrukkelijk door de fabrikant zijn goedgekeurd, kunnen ertoe leiden dat het recht van de gebruiker om de apparatuur te gebruiken vervalt.

1.6 Inhoud verpakking

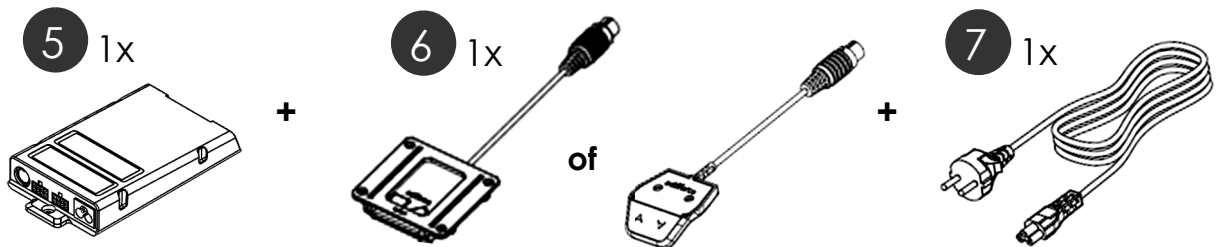


Monteer het frame met twee personen.

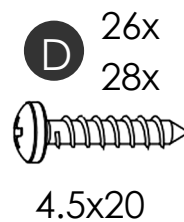
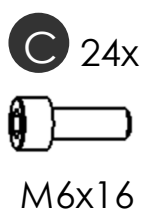
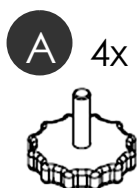
Onderdelen



optioneel



Montage onderdelen set

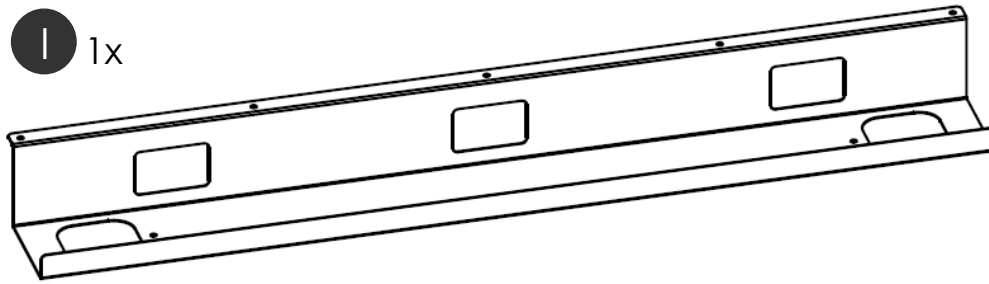


Inbussleutel

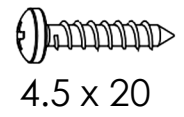


Optionele accessoires

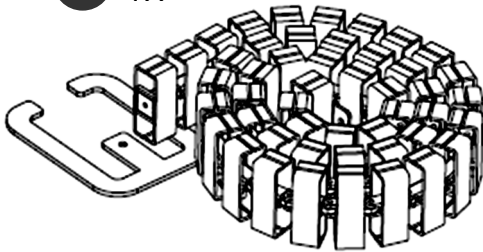
I 1x



II 5x



III 1x



IV 3x



M4 x 16
(extra 2 stuks)

V 1x





4.5 x 16

2 Veiligheidsinstructies

2.1 Verklaring van symbolen en instructies



In deze handleiding worden de volgende aanduidingen en symbolen voor gevaren gebruikt:

	<p>Dit symbool betekent een rechtstreeks dreigend gevaar voor leven en gezondheid van personen. Het niet in acht nemen van deze instructies kan ernstige schade aan de gezondheid toebrengen en zelfs levensgevaarlijk lichamelijk letsel of de dood tot gevolg hebben.</p>
	<p>Dit symbool verwijst naar een belangrijke instructie. Het niet in acht nemen ervan kan tot schade aan de tafel leiden.</p>

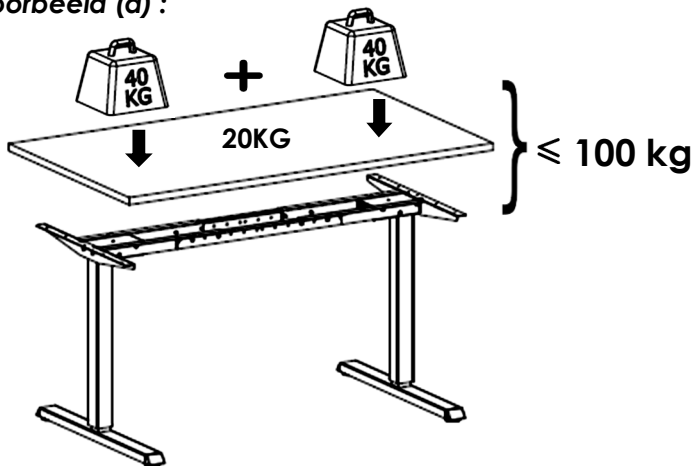
2.2 Gebruikte symbolen op het frame


	<p>Leg geen voorwerpen of lichaamsdelen onder het frame of tussen de onderdelen van de crossbar. Er bestaat risico op ernstig lichamelijk letsel.</p>
---	---

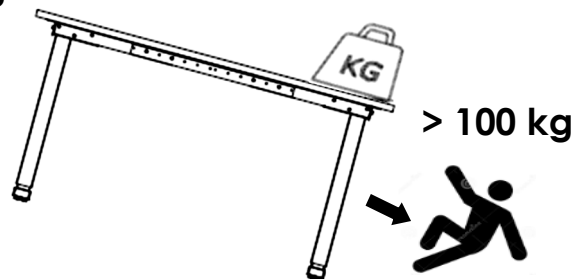
2.3 Maximaal toegestaan gewicht op het frame

		<p>De maximale toegestane belasting van niet overschrijden (a) 100 kg inclusief tafelblad (Smart-e-2) (b) 120 kg inclusief tafelblad (Controlforce 2) op het frame. Vermijd onevenwichtige belasting, verdeel het gewicht gelijkmatig anders kan overbelasting optreden. Overbelasting van een frame kan schade veroorzaken en personen in de nabije omgeving kunnen als gevolg hiervan ernstige verwondingen oplopen.</p>
--	--	---

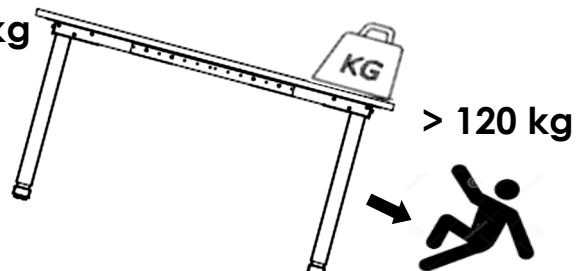
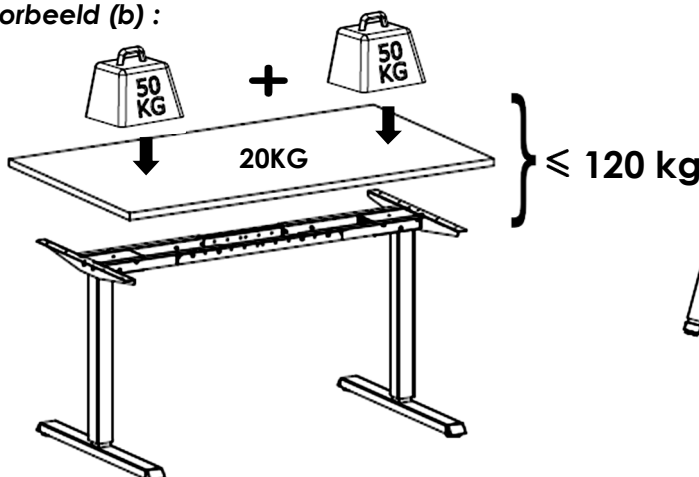
Voorbeeld (a) :



 Het gewicht moet gelijkmatig verdeeld worden.



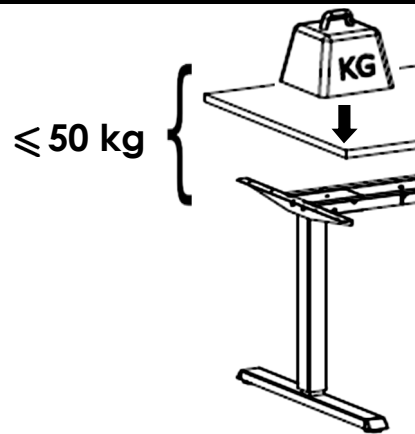
Voorbeeld (b) :



2.4 Maximaal toegestaan gewicht per kolom



De maximale toegestane belasting van 50 kg (inclusief tafelblad) op een kolom niet overschrijden. Overbelasting van een frame kan schade veroorzaken en personen in de nabije omgeving kunnen als gevolg hiervan ernstige verwondingen oplopen.



2.5 Organisatorische maatregelen

- Monteer het frame bij voorkeur met twee personen. Vooral het draaien van het frame met het gemonteerde werkblad moet door twee personen geschieden!

2.6 Informele veiligheidsmaatregelen

- Bewaar de montage- en bedieningshandleiding altijd op de plaats waar het frame wordt gebruikt.
- Zorg ervoor dat alle veiligheids- en risico-instructies op het frame leesbaar blijven en vervang deze eventueel.

2.7 Vereisten aan de monteurs

- Alleen personen ouder dan 16 jaar mogen het frame opbouwen en eraan werken.
- De hierboven genoemde personen moeten de montage- en bedieningshandleiding hebben gelezen en begrepen.

2.8 Transport en montage

- Verplaats het frame uitsluitend met twee personen en in ingeschoven toestand.
- Sleep of duw het frame niet over de vloer.
- Monteer het frame uitsluitend met behulp van het meegeleverde gereedschap. Alleen dan is gegarandeerd dat de schroeven perfect worden aangedraaid.

2.9 Gebruik van het frame

- Laat kinderen niet zonder toezicht het frame gebruiken. Kinderen zijn niet in staat om de gevaren van het frame in te schatten. Ze lopen hierdoor groot risico op ernstig letsel, mogelijk zelfs met fatale gevolgen. Zorg er in ieder geval voor dat het frame niet verder versteld kan worden indien het toch door kinderen wordt gebruikt.
- Gebruik het frame uitsluitend in een hiervoor geschikte omgeving.
- Gebruik het frame niet op een oneffen ondergrond. Het frame staat dan niet stevig en er bestaat gevaar voor kantelen.
- Zorg ervoor dat de maximale belasting van het frame nooit overschreden wordt.

2.10 Specifieke gevaren

- Bij het afstellen van de hoogte van het frame is er kans op letsel. Zorg ervoor dat zich niemand anders in de directe omgeving van het frame bevindt.
- Zorg bij het monteren van het frame voor voldoende ruimte om botsingen in alle mogelijke richtingen te voorkomen (bijv. schuin dak, vaste voorwerpen, archiefkasten, prullenbakken etc.).
- Zorg voor voldoende ruimte om botsingen te voorkomen indien zich voorwerpen, zoals computers of randapparatuur, op het werkblad bevinden.
- Zorg voor een vrije ruimte van tenminste 25 mm tot alle andere meubels rondom het frame.

2.11 Instructies voor noodgevallen

- Stel het frame onmiddellijk buiten bedrijf wanneer er zich iets ongebruikelijks bij het frame voordoet (vreemde geluiden etc.).
- Laat het frame door een gespecialiseerd bedrijf repareren. Neem het frame pas weer in gebruik nadat het gerepareerd is.

2.12 Onderhoud en instandhouding

- Het frame en de onderdelen ervan zijn onderhoudsarm en vereisen geen speciaal regelmatig onderhoud.
- Voer zelf geen reparaties uit aan de tafel of de onderdelen.
- Wijzig niets aan de constructie van de tafel of het frame.
- Vervang defecte onderdelen uitsluitend door nieuwe originele onderdelen van de fabrikant. Gebruik alleen originele vervangingsonderdelen vervaardigd door de fabrikant. Laat het vervangen van defecte onderdelen over aan een gespecialiseerd bedrijf. Deze montage- en bedieningshandleiding moet hierbij in acht genomen worden.

2.13 Reiniging

- Haal het werkstation altijd uit het stopcontact voordat u het schoonmaakt.
- Stof het tafelframe één keer per week af met een droge doek.
- Maak het tafelframe eens per twee weken schoon met een vochtige doek en een licht reinigingsmiddel.

2.14 Overige risico's

Dit frame is gebouwd volgens de laatste stand van de techniek en de erkende veiligheidstechnische normen. Desondanks kunnen er bij gebruik ervan gevaar voor gezondheid en veiligheid van de gebruiker of derden, respectievelijk schades aan het frame of aan andere voorwerpen van waarde ontstaan. Het frame mag uitsluitend worden gebruikt:

- Overeenkomstig het beoogde doel.
- In veiligheidstechnische perfecte toestand.

3 Montage



Let vóór iedere montage op de veiligheidsinstructies van hoofdstuk 2.

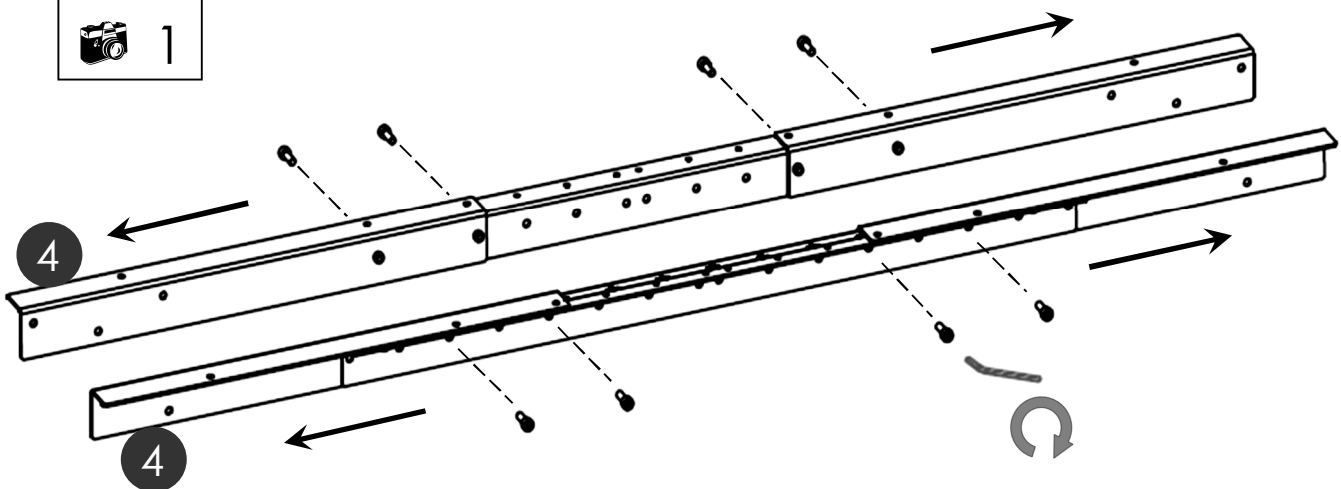


Het is aan te bevelen om een onderlaag te gebruiken om de componenten en de vloer voor krassen te beschermen. U kunt hiervoor bijvoorbeeld de meegeleverde kartonnen doos gebruiken door deze uit te vouwen.

3.1 Aanpassing van de voor gemonteerde Crossbar

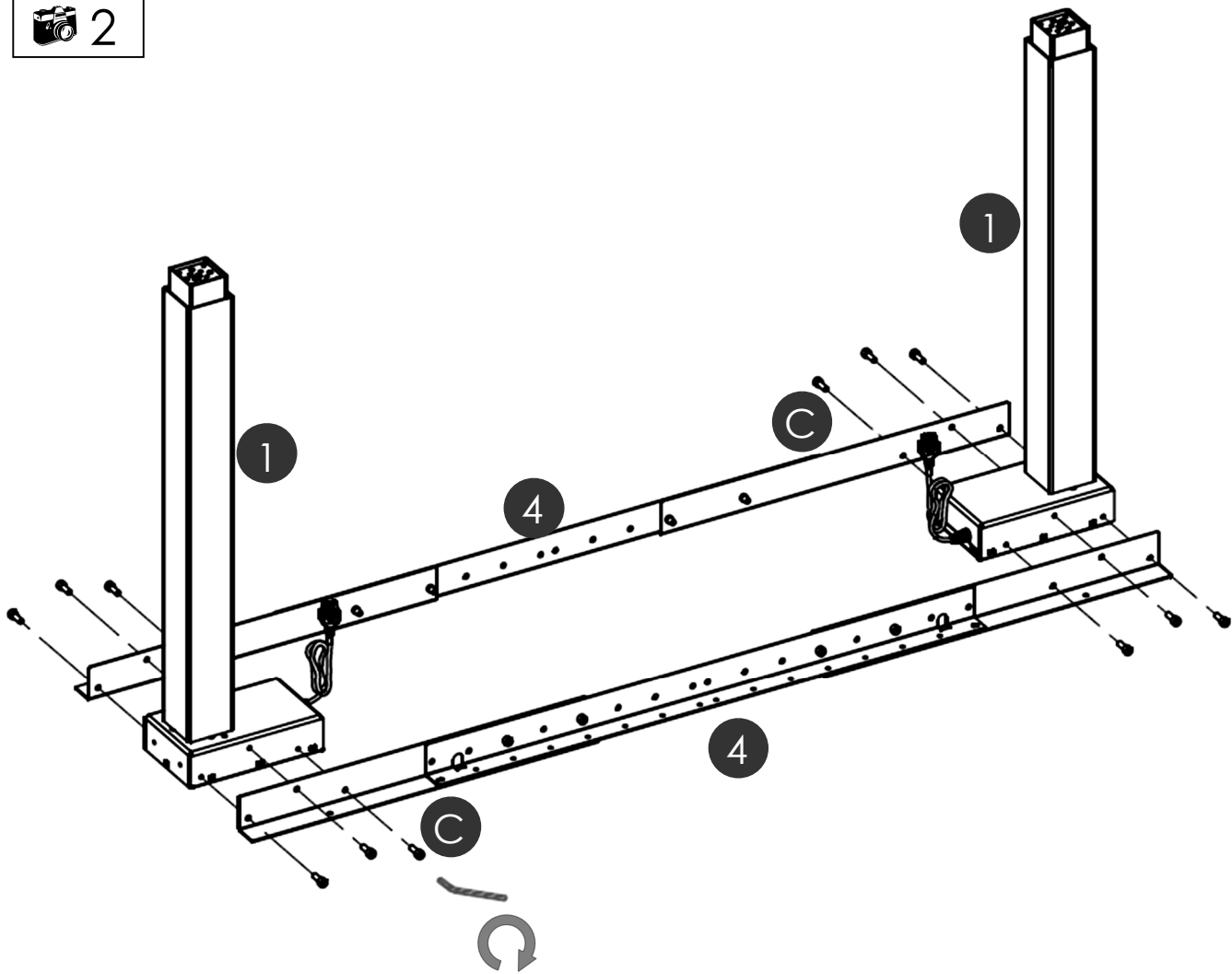
3.1.1 Aanbevolen bladmaat

Frame-breedte	Werkblad breedte	Werkblad diepte	werkblad dikte
100 cm	110 cm	80 cm	2.5 cm
110 cm	120 cm	80 cm	2.5 cm
120 cm	130 cm	80 cm	2.5 cm
130 cm	140 cm	80 cm	2.5 cm
140 cm	150 cm	80 cm	2.5 cm
150 cm	160 cm	80 cm	2.5 cm

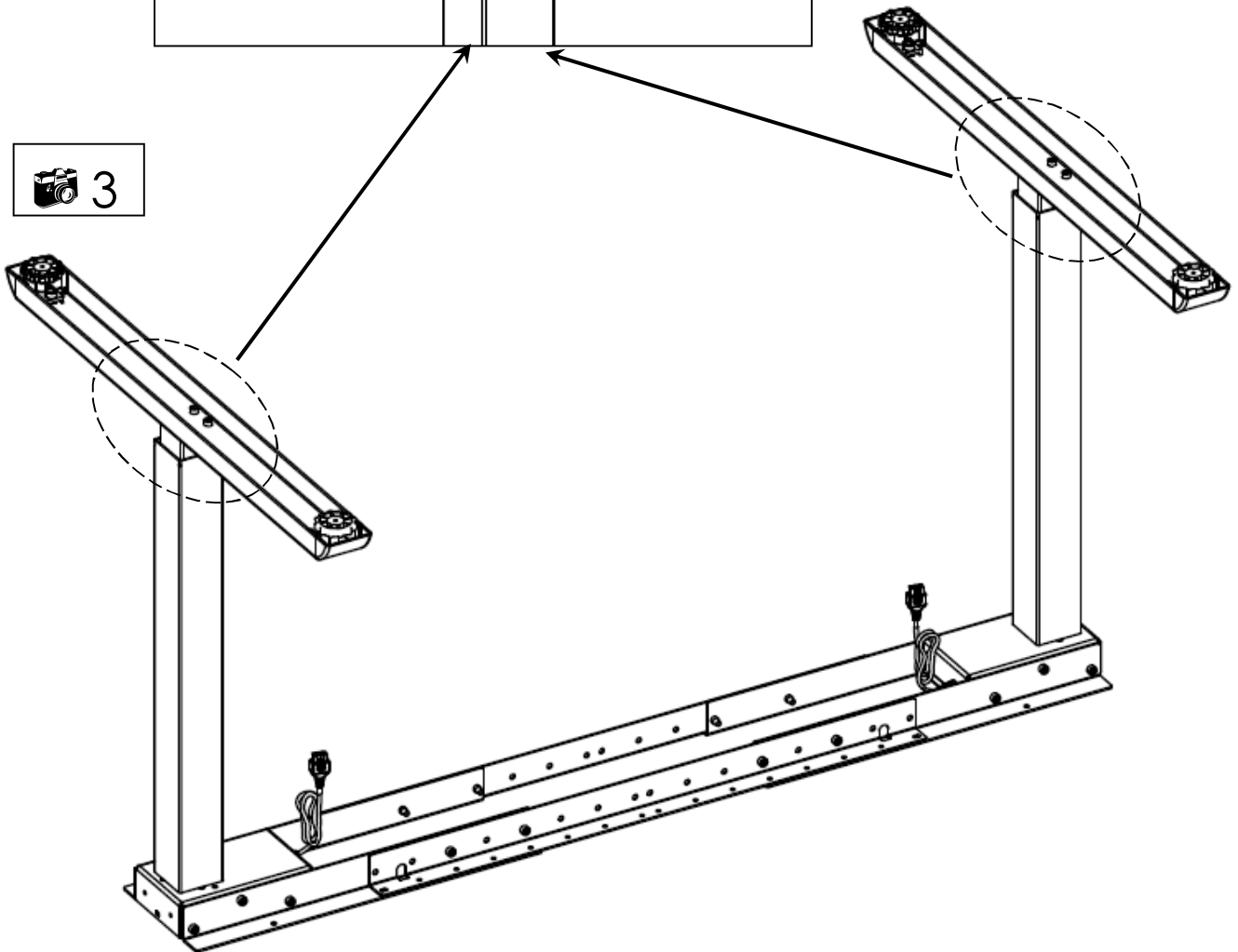
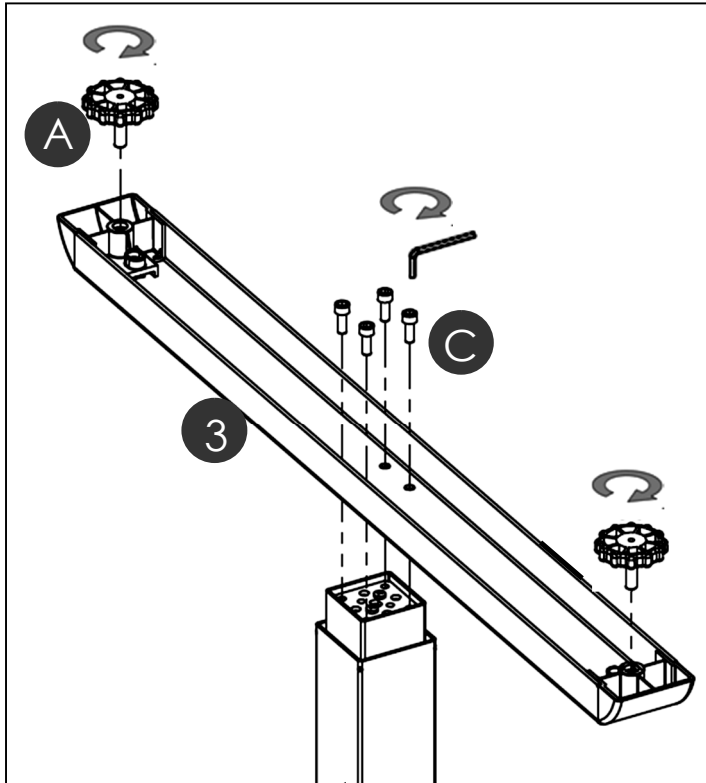


- Draai de kolomschroef van de Crossbars los.
- Stel het frame in op de gewenste breedte.
- Draai de set schroeven op de crossbar vast met de inbusleutel.

3.2 Montage van de voor gemonteerde Crossbar



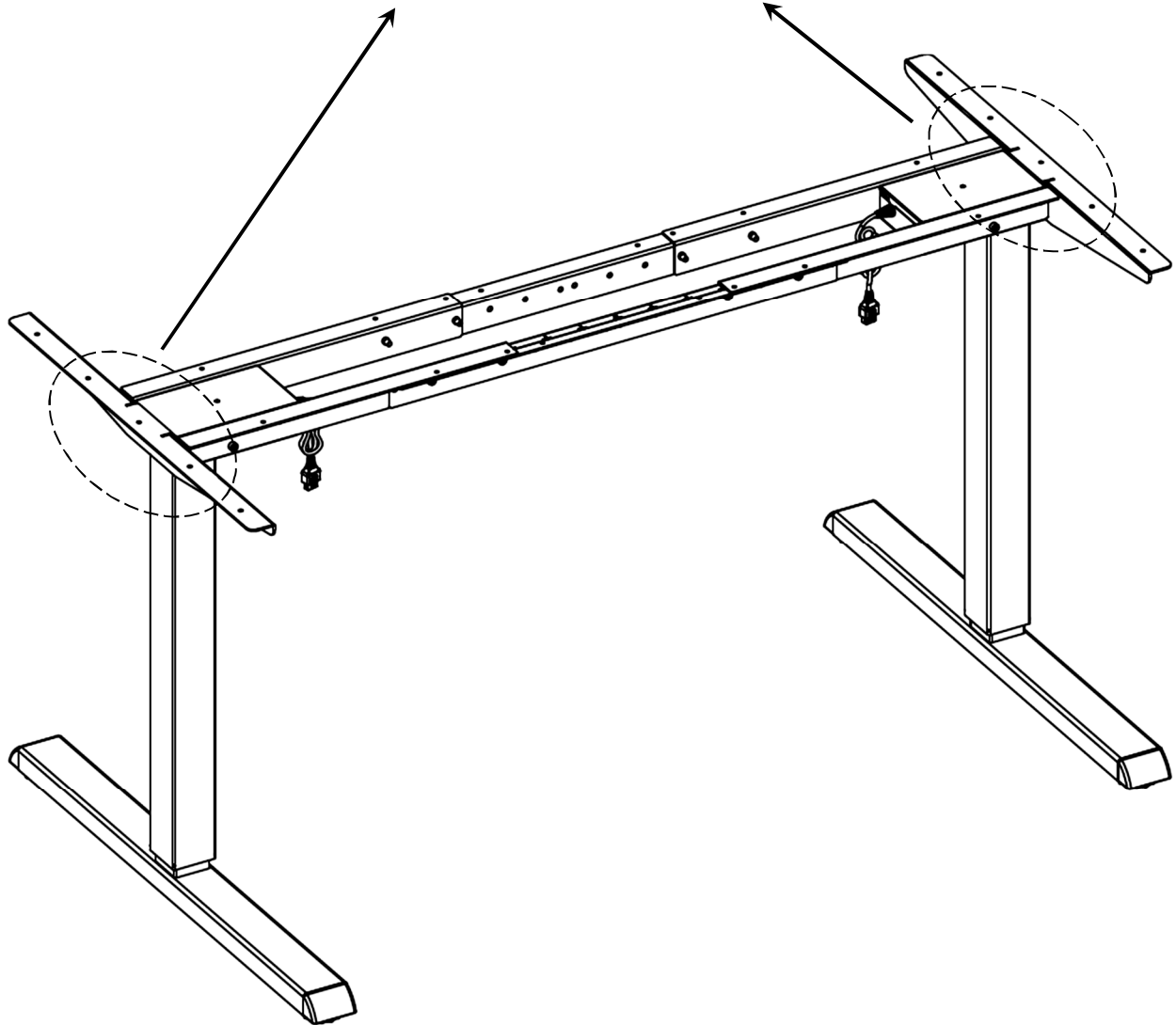
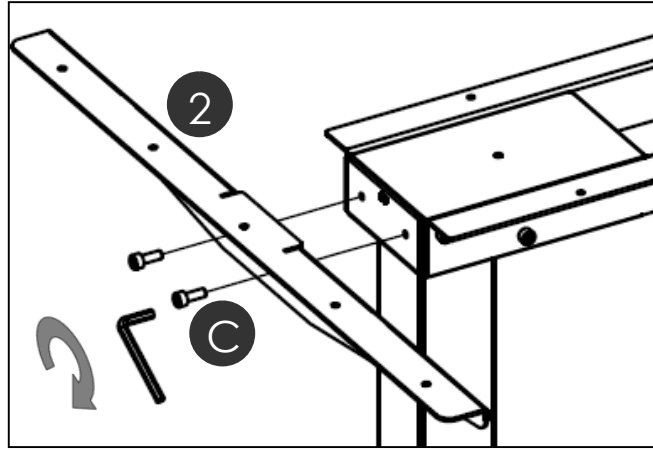
3.3 Montage van de voeten



3.4 Montage van de bladdragers

Nederlands

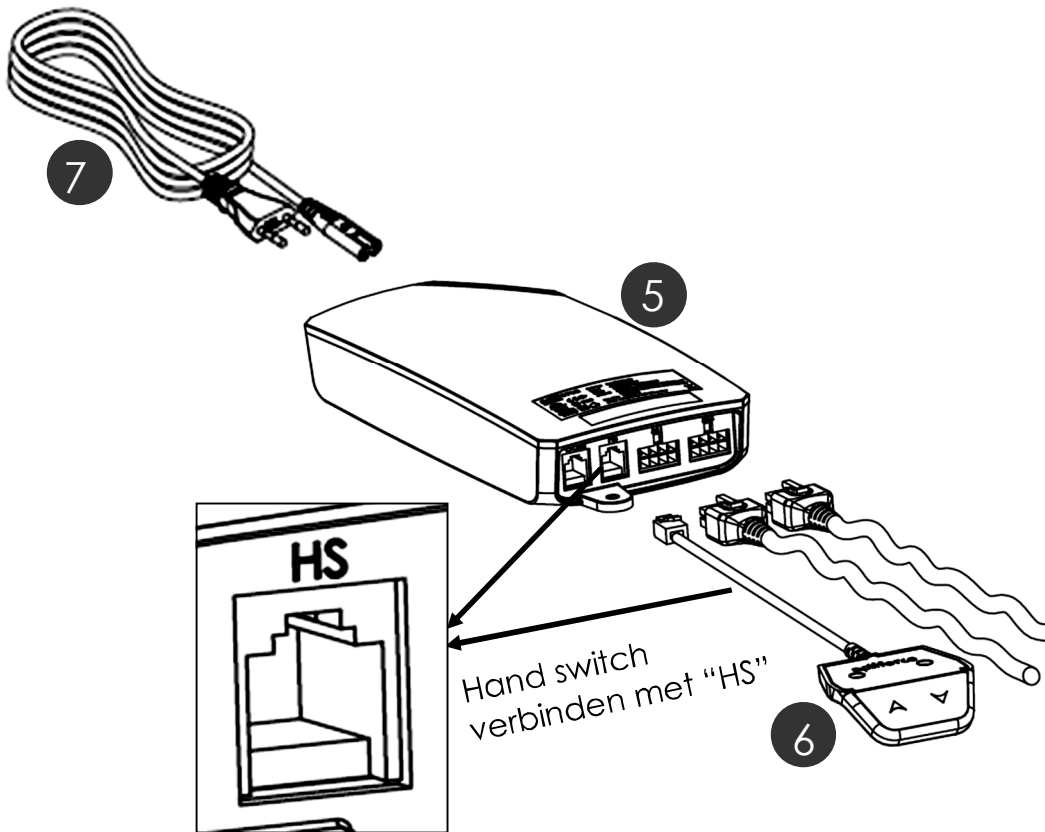
 4



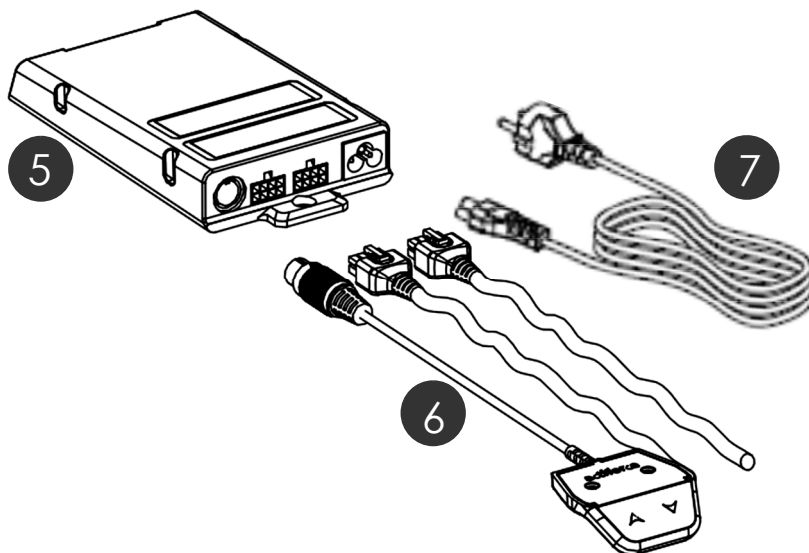
3.5 Aansluiten van de elektrische componenten

Nederlands

5



OPTIONEEL

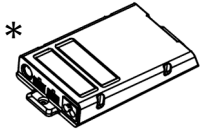


Het is essentieel dat uw frame in hoogte verstelbaar is. De kabels van de elektrische componenten mogen tijdens een hoogteverstelling niet belemmerd worden. Let er hierbij op dat de maximale hoogteverstelling altijd mogelijk moet zijn!

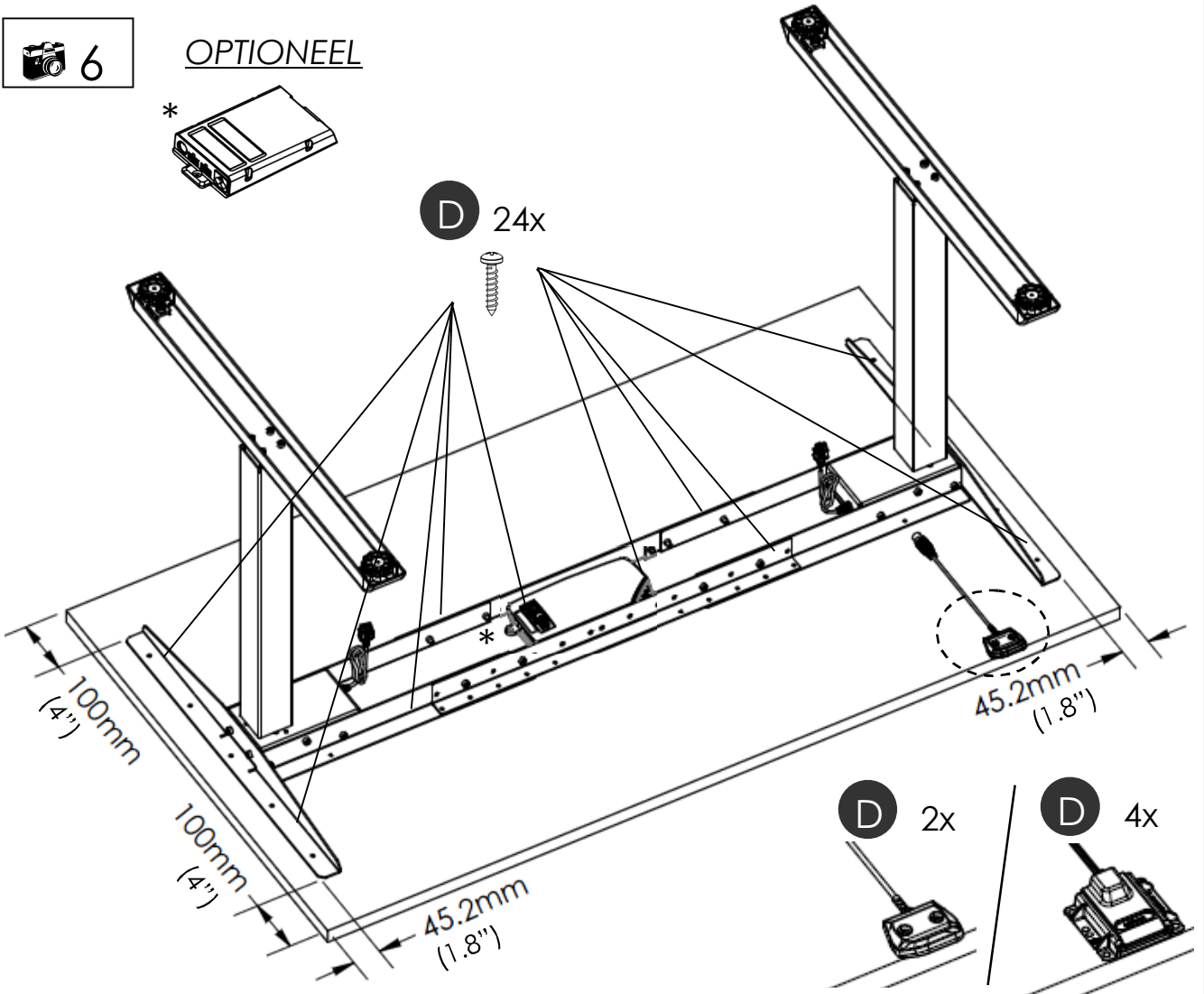
3.6 Montage van het werkblad
3.7 Montage van de handbediening

6

OPTIONEEL



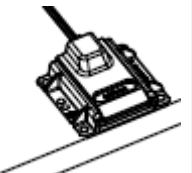
D 24x



D 2x

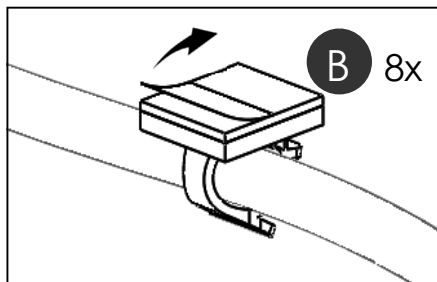


D 4x

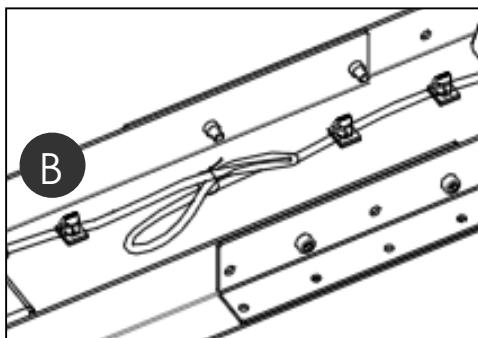


3.8 Montage van de kabelclips

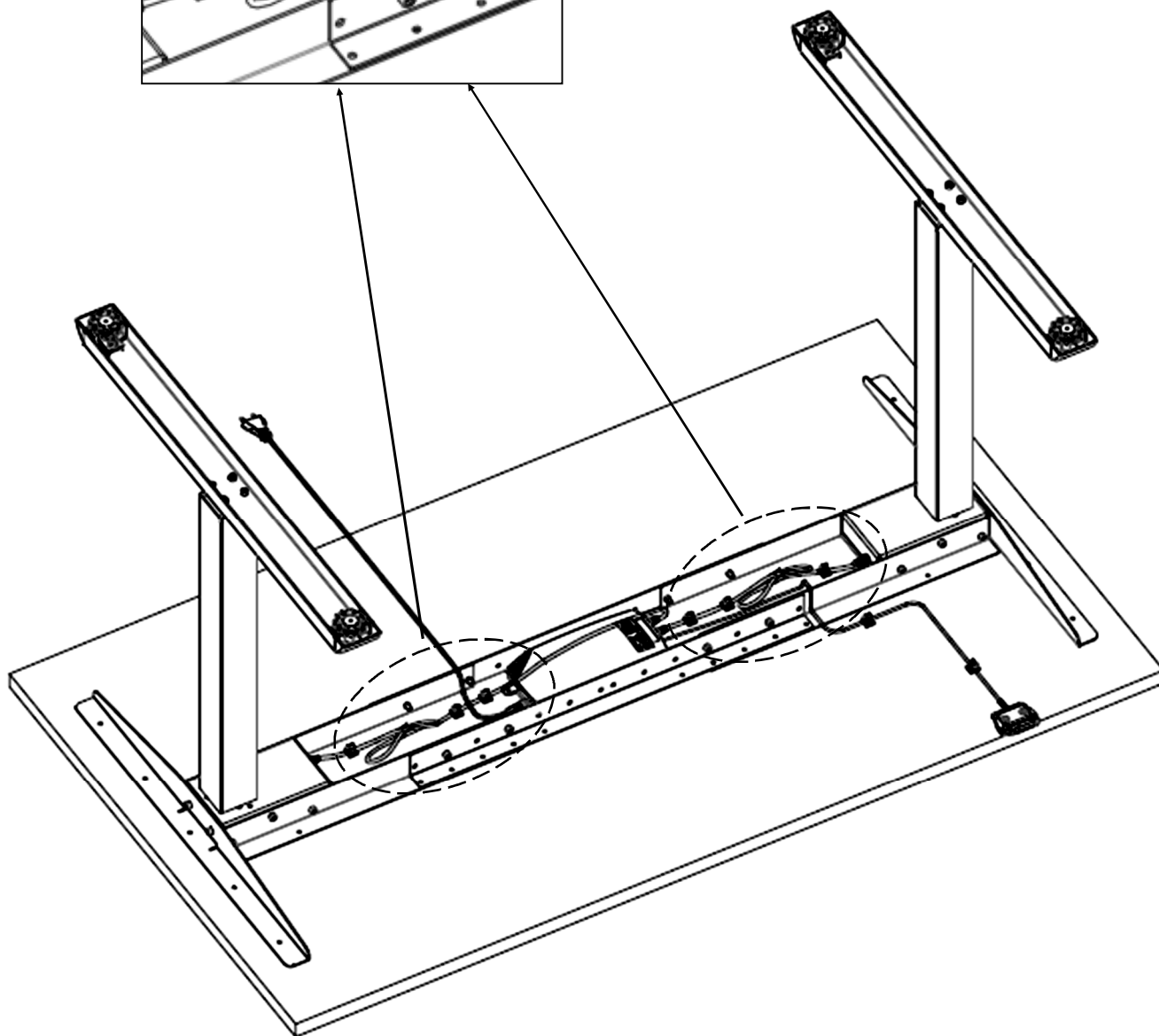
7



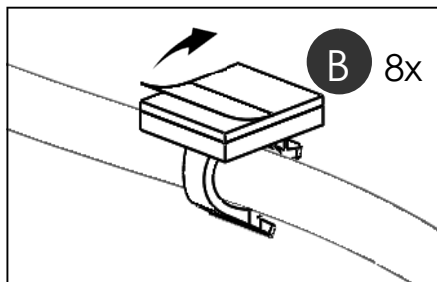
Monteer de kabelclip. Verwijder de folie van de kabelclip en plak deze aan de onderkant van het werkblad. Plaats de kabel in de kabelclip.

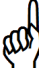


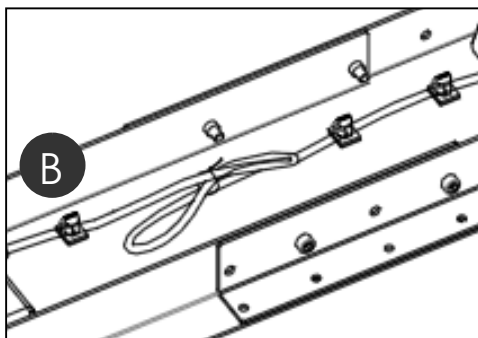
Bind de losse kabels samen met de kabelbinders.

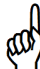


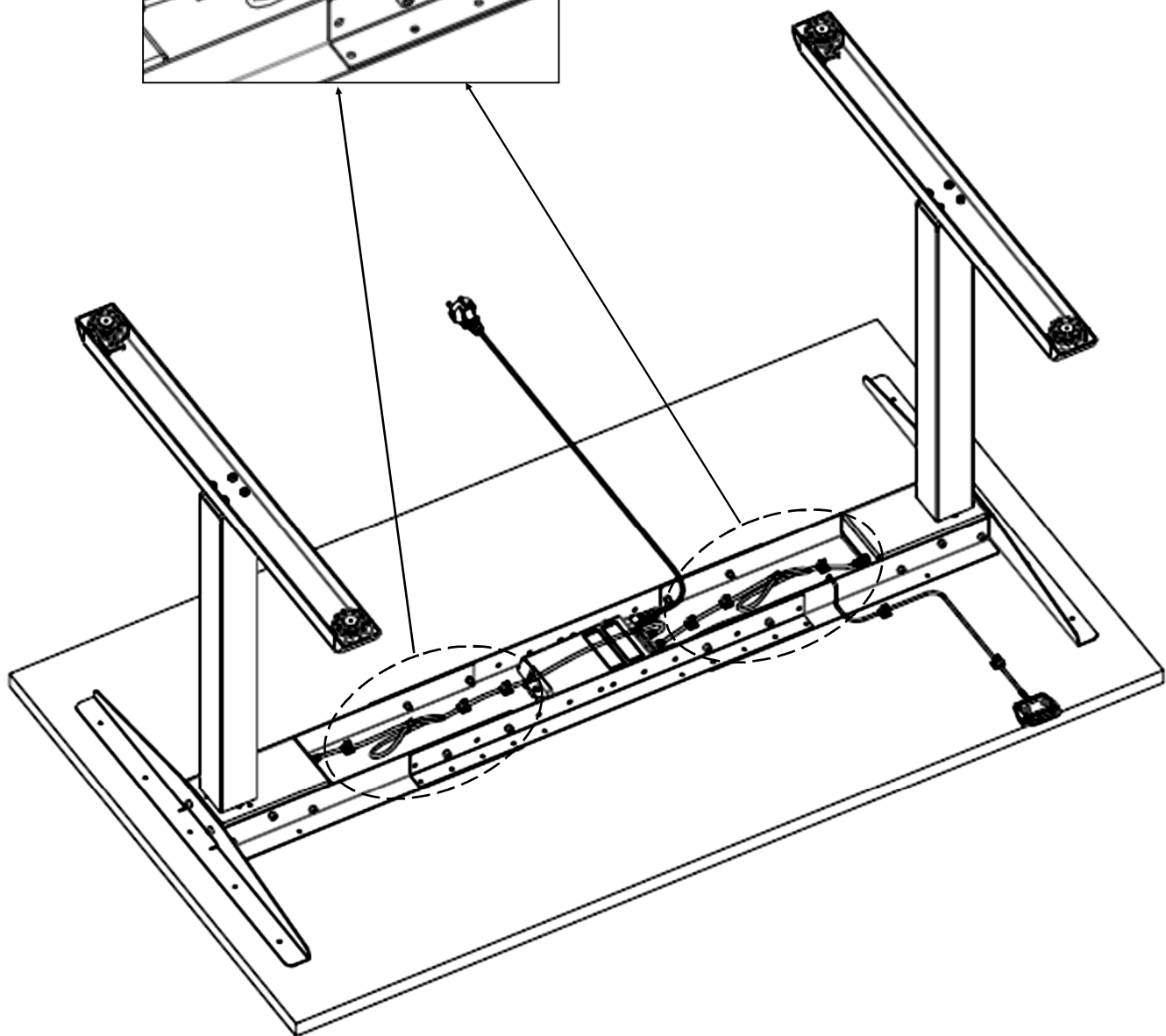
OPTIONEEL



 Monteer de kabelclip. Verwijder de folie van de kabelclip en plak deze aan de onderkant van het werkblad. Plaats de kabel in de kabelclip.



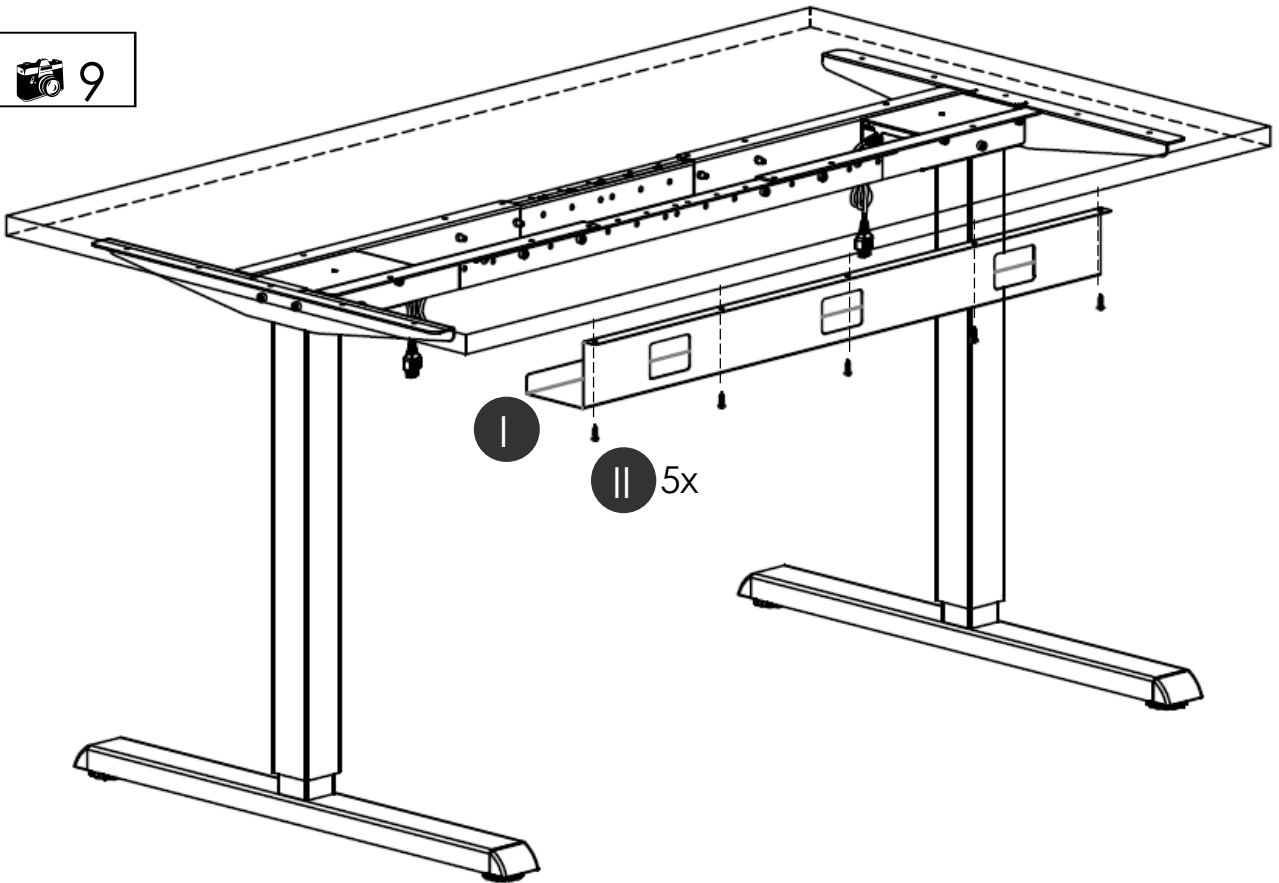
 Bind de losse kabels samen met de kabelbinders.



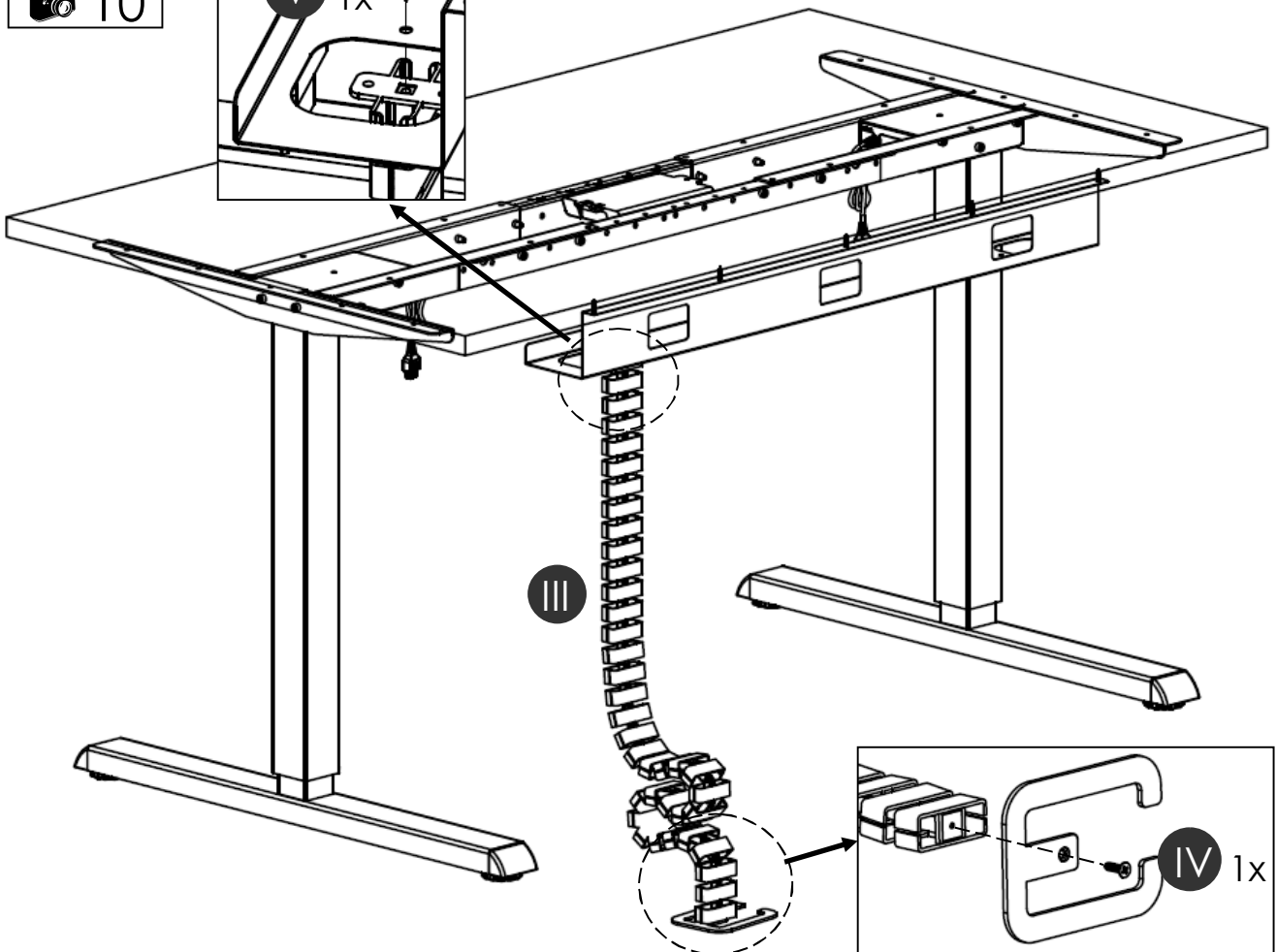
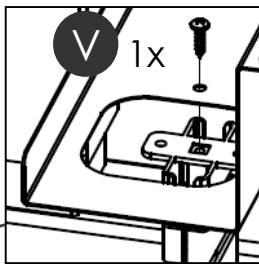
3.9 Montage van de optionele accessoires

Nederlands

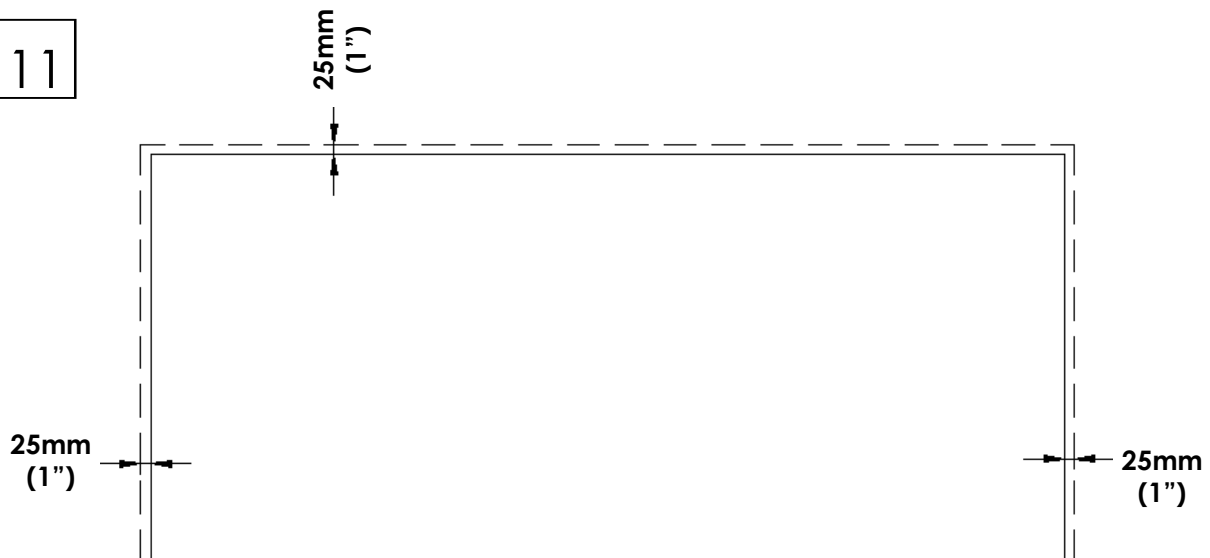
9



10



3.10 Afstand van 25 mm tussen de muur of andere objecten en het werkblad



Houd een minimum van 25 mm (1") afstand tussen het werkblad en de muur of andere objecten.

3.11 Frame test zonder werkblad



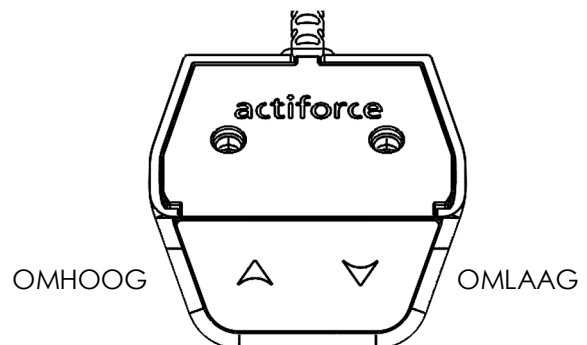
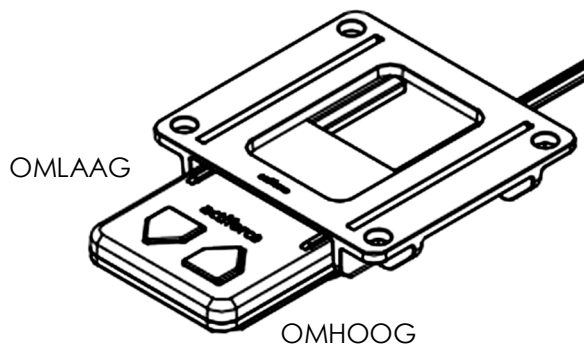
Let erop dat het frame te allen tijde correct en vrij kan bewegen



Indien de kabel van de elektrische componenten moet worden losgekoppeld, dient u eerst de stroomtoevoer los te koppelen.



Indien het frame niet naar behoren werkt, stop dan direct met werken aan het frame. Koppel het frame los van de stroomtoevoer en neem contact op met de klantenservice voor verder advies.

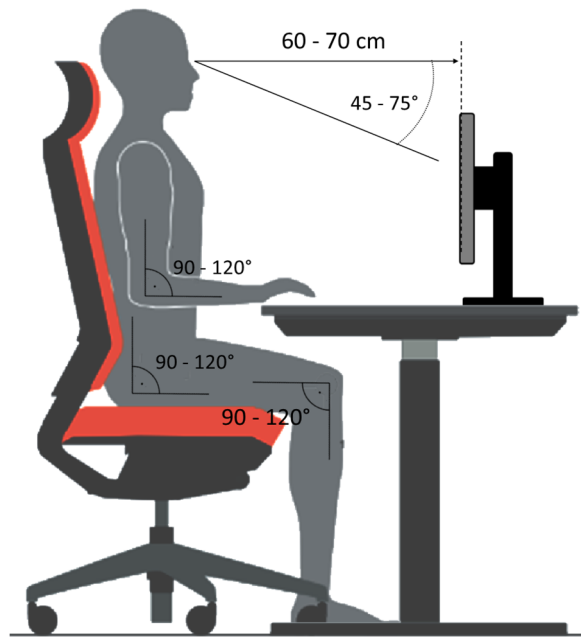


Resetmodus

Als u de stekker voor de eerste keer in het stopcontact steekt, kan de hoogte-instelling uitsluitend in de resetmodus worden bediend. Zolang de resetmodus is ingeschakeld, kan het frame uitsluitend omlaag bewegen. Volg voor normaal gebruik van het frame de onderstaande stappen:

- Druk de toets OMLAAG in en houd deze ingedrukt. Het frame beweegt langzaam omlaag.
- Breng het frame naar de laagste stand. Deze stand dient als referentiepunt (nulpunt).
- Houd als het frame de laagste stand heeft bereikt de toets een moment ingedrukt. Hiermee wordt de resetmodus uitgeschakeld.
- Nu kan het frame normaal worden bediend. Druk de toets OMHOOG of OMLAAG in en houd deze ingedrukt om het frame naar de gewenste hoogte te brengen. Het frame stopt als u de toets loslaat.

4 Correcte zitpositie



Correcte houding

Een onjuiste houding kan schade aan gewrichten, pezen en spierpijn veroorzaken. Om dit te voorkomen, moet de bureaustoel en het bureau goed worden afgesteld. In aanvulling op de volgende aanbevelingen, moet een oncomfortabele zithouding worden voorkomen. Indien een van de volgende aanbevelingen leidt naar een voor u oncomfortabele houding, pas de bureaustoel en het bureau dan aan naar uw behoeften.

Bureaustoel

- De zithoogte moet worden aangepast, zodat uw knieën een hoek van 90-120° hebben, wanneer uw voeten plat op de grond staan.
- Voor een juiste zithouding leunt u met uw onderrug tegen de rugleuning. Indien mogelijk stelt u de zitdiepte in, om druk op uw onderbeen te voorkomen. Zit rechtop maar leun achterover in een ontspannen houding. Stel de lendensteun van de stoel, indien mogelijk, af op uw engte.
- Stel de rugleuning in, zodat het enigszins uw romp naar voren drukt maar nog steeds voldoende ruimte laat om u vrij te bewegen.
- Indien mogelijk kunt u de hoogte van de armleuningen aanpassen zodat uw schouders in een ontspannen positie zijn wanneer zij op de armleuning steunen.

Bureau

- Stel de hoogte van het bureau in nadat u de juiste zithouding heeft gevonden.
- Uw ellebogen moeten een hoek van 90-120° hebben wanneer uw armen rusten op het tafelblad.

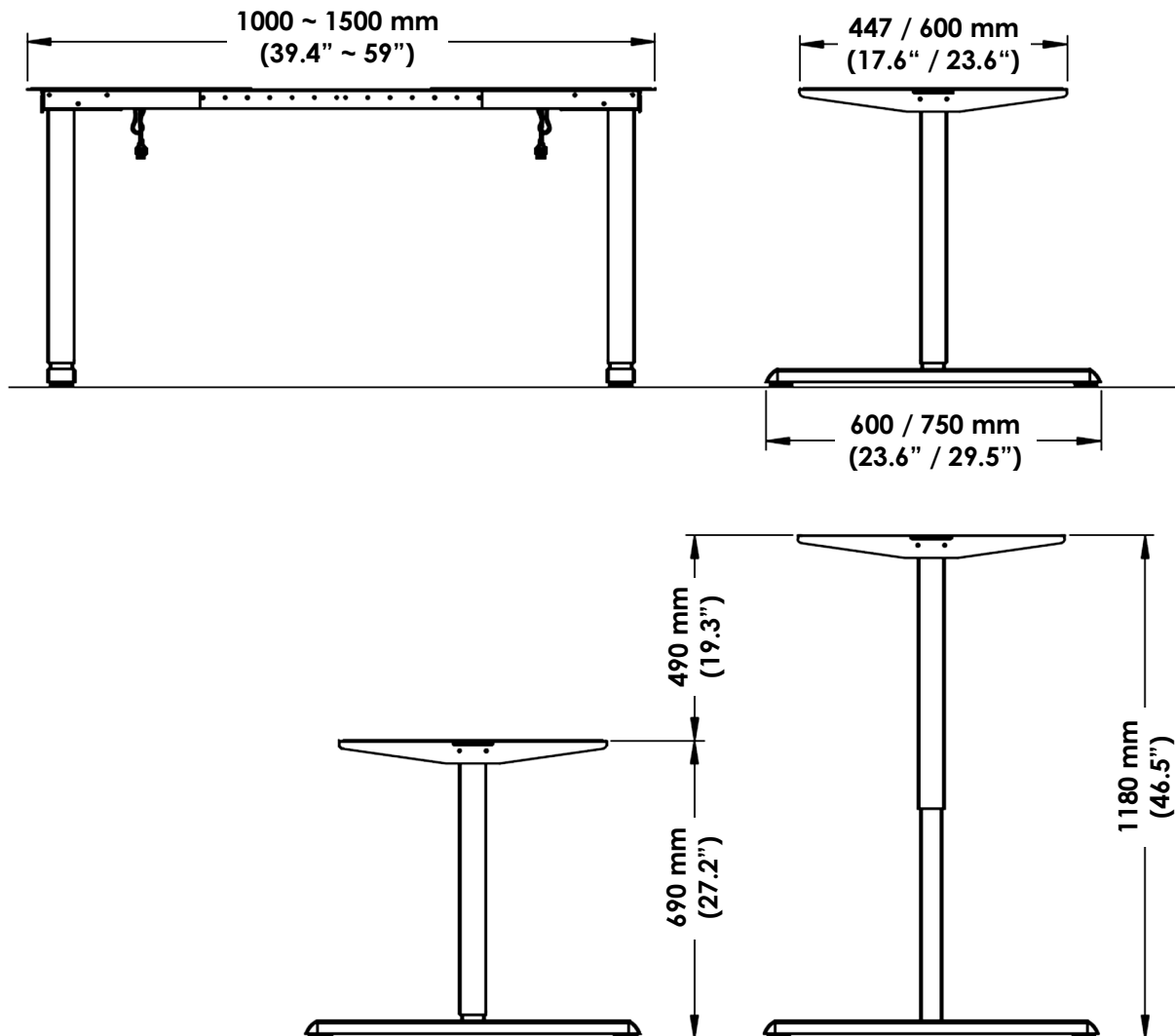
Apparaten op het bureaublad

- Invallend licht (daglicht of lampen) moet de monitor in een hoek van 90° benaderen.
- De hoogte van de monitor moet worden aangepast op een manier die het mogelijk maakt om enigszins naar beneden kijken waarbij de focus ligt het midden van het scherm.
- Houd een afstand van 60-70 cm van uw scherm.
- Een vlak, smal toetsenbord helpt om uw polsen te ontspannen.
- **Let op de aanbevelingen in de handleiding van uw andere (ergonomische) apparatuur.**

5 Technische specificaties

Handleiding versie	SF-IM0001-0EN-DE-NL-FR-ES
Jaar van uitgave	2020
Land van productie	Maleisië
Systeem	Eentraps
Materiaal	Staal, plastic en aluminium
Slag (maximaal)	490mm (19.3")
Frame belasting (maximaal) I. SMART-e-2 II. ControlForce 2	I. 100 kg II. 120 kg
Frame gewicht I. SF 300 met een 600 mm bladdrager en een 750 mm voet II. SF 300 met een 600 mm bladdrager en een 750 mm voet met optionele accessoires III. SF 300 met een 447 mm bladdrager en een 600 mm voet IV. SF 300 met een 447 mm bladdrager en een 600 mm voet met optionele accessoires	I. ± 24 kg II. ± 26 kg III. ± 22.5 kg IV. ± 24.5 kg
Voeding : I. SMART-e-2-actiforce-EU II. SMART-e-2-actiforce-US III. ControlForce 2	I. 220-240Vac, 50-60Hz, 2.5A II. 120Vac, 60Hz, 5A III. 100-240Vac, 50-60Hz, 5.3A
Snelheid	± 39 mm/s
Gebruikscyclus	10 % (2 minuut aan / 18 minuten uit)
Geluidsniveau	< 50 dB(A)
Omgevingstemperatuur bij gebruik	15 - 30°C
Omgevingstemperatuur bij opslag	10 - 50°C
Luchtvochtigheid bij gebruik	<85%
Luchtvochtigheid bij opslag	<50%
Maximale opslagtijd	-
Enkel voor gebruik binnenshuis	

(* Gemiddelde tolerantie = ± 10 mm)



Minimale frame hoogte	690 mm	(27.2")
Maximale frame hoogte	1180 mm	(46.5")
Maximale slag	490 mm	(19.3")
Framebreedte	1000-1500 mm	(39.4" - 59")
Framediepte	600 / 750 mm	(23.6" / 29.5")
Minimum werkbladdiepte	447 / 600 mm	(17.6" / 23.6")
Frame belasting (maximaal)	100 / 120 kg	

6 Bediening en Gebruiksaanwijzingen



Laat kinderen niet zonder toezicht het frame gebruiken. Kinderen zijn niet in staat de gevaren van het frame in te schatten. Ze lopen hierdoor groot risico op ernstig letsel, mogelijk zelfs met fatale gevolgen.

Zorg er in ieder geval voor dat het frame niet verder versteld kan worden indien het toch door kinderen wordt gebruikt. Houd de maximale inschakelduur van het frame aan.

Zorg voor voldoende ruimte om botsingen te voorkomen indien zich voorwerpen, zoals computers of randapparatuur, op het werkblad bevinden.

6.1 Gebruiksaanwijzingen



Verlaat de onmiddellijke omgeving van het frame wanneer dit onbedoeld gaat bewegen. Neem het frame dan niet in gebruik. Laat het frame door een gespecialiseerd bedrijf repareren. Neem het frame pas weer in gebruik nadat het gerepareerd is.

Gebruik het frame niet meer wanneer er zich iets ongebruikelijks bij het frame voordoet (vreemde geluiden, rook etc.). Laat het frame door een gespecialiseerd bedrijf repareren. Neem het frame pas weer in gebruik nadat het op deskundige wijze gerepareerd is.

Gebruik het frame niet meer wanneer er zich veiligheidsrisico's voordoen.

7 Probleemoplossingen

Probleem	Mogelijke oorzaak	Oplossing
Het frame beweegt niet.	Kabels of aansluitingen beschadigd.	Controleer alle aansluitingen. Stroomvoorziening in orde?
Het frame beweegt niet.	Als de aansluitingen gecontroleerd zijn, is de handbediening mogelijk defect.	Vervang de handbediening.
Het frame beweegt niet.	Fout in de transformator.	Systeem opnieuw opstarten.

Wanneer het probleem niet hierboven wordt vermeld, dan dient u contact op te nemen met de klantenservice.

8 Klantenservice

Houd de gegevens van het frame bij de hand wanneer u contact opneemt met uw dealer

Dealer :

9 Fabrikant

Actiforce International B.V.

Het Steenland 20
3751 LA Bunschoten-Spakenburg
The Netherlands

+31 (0)33 4600120
www.actiforce.com
info.holland@actiforce.com

10 Recycling

10.1 Buitenbedrijfstelling van het frame

- Haal de stekker uit het stopcontact.

10.2 Demontage van het frame

- Houd bij demontage de omgekeerde volgorde van de handleiding aan of neem contact op met de Klantenservice (zie hoofdstuk 8).

10.3 Recycling

- Scheid de onderdelen naar materiaalsoort. Houd de nationale wetgeving in acht!

11 EU-Verklaring van overeenstemming in bijlage II A

Nederlands

Hierbij verklaren wij dat het artikel dat hieronder wordt beschreven, voldoet aan de relevante EU-richtlijnen (in het bijzonder de hieronder vermelde) en dat de serie dienovereenkomstig is vervaardigd.

Artikelomschrijving: Steelforce 300

Artikelnummer: SF30000010****

SF30000020****

SF30001011****

SF30001021****

Het eerste symbool "" kan zijn 0 (Pro-Basic), 1 (Pro-Basic (RJ11)), 2 (Eco-Basic Slide (RJ11)) of 3 (Eco-Basic Slide (DIN)).*

Het tweede symbool "" kann zijn 0 (Smart-2-EU), 1 (Smart-2-US) of 2 (Controlforce 2).*

Het derde symbool "" kann zijn 11, 18, 29, 30, 78, 82, 83, 90, 94 en etc.*

The vierde symbool "" kann zijn EU, NL, DE, DK, US, GB, WE, MY, CH en etc.*

Modelreeks: Spindle Lift System

Breedte : 1000 mm - 1500 mm

Hoogte : 690 mm - 1180 mm

Diepte : 600 / 750 mm

Technische specificaties:

Systeem : 1 traps, elektromotorisch

Materiaal : Staal, plastic en aluminium

max. framebelasting : 100.0 kg (Smart)
120.0 kg (Controlforce 2)

Geldende EU-richtlijnen :

Elektromagnetische compatibiliteit (2014/30 / EC),

Laagspanningsrichtlijn (2006/95 / EC, vanaf 20.04.2016 is dit nummer: 2014/35 / EU)

Geharmoniseerde EN-technische norm en basisnorm

UL962

IEC 60335-1

ANSI/BIFMA X5.5

Het artikel voldoet aan de volgende normen die vereist zijn om het CE-merk te verkrijgen:

EN 61000-3-2

EN 61000-3-3

EN 55014-1

EN 55014-2

EN 62233

EN 60335-1

Producent
Actiforce International BV
Het Steenland 20
3751 LA Bunschoten-Spakenburg

Importeur / distributeur

Niederlande

1.1 Valeur locale de la notice de montage/d'utilisation

Pour une utilisation sûre et un bon fonctionnement de ce bâti de bureau, il convient de connaître et de respecter les consignes de sécurité élémentaires et les réglementations en la matière. Cette notice de montage/d'utilisation inclut des informations les plus importantes nécessaires au montage et au fonctionnement du bâti de bureau en toute sécurité. Cette notice de montage/d'utilisation, notamment les consignes de sécurité qu'elle contient, doit être respectée par quiconque assemble ce bâti et travaille sur la surface finie. Plus important encore, il est indispensable d'observer constamment les lois et réglementations relatives à la prévention d'accidents, qui sont en vigueur là où ce bâti de bureau doit être utilisé.

1.2 Utilisation conforme

Le bâti de bureau doit être employé exclusivement en tant que poste de travail debout/assis réglable en hauteur, dans des bureaux ou dans d'autres locaux fermés. Le bâti doit être utilisé uniquement dans ce but. Le bâti de bureau peut uniquement être installé et utilisé dans des espaces de bureau. Ne pas l'utiliser à domicile. Veuillez observer les dispositions du Chapitre 2 relatif aux consignes de sécurité. Les enfants laissés sans surveillance près du bâti de bureau peuvent ne pas être conscients des dangers que celui-ci représente. Tout usage autre que celui mentionné ci-dessus sera réputé inapproprié. Le fabricant décline toute responsabilité quant aux dommages résultant d'un usage inapproprié. Cet appareil ne peut pas être utilisé par des personnes (y compris des enfants) souffrant d'un handicap physique, mental ou sensoriel ou ayant une expérience/des connaissances insuffisantes, hormis moyennant la surveillance d'une personne responsable de leur sécurité ou des instructions concernant l'utilisation du poste de travail. Les enfants doivent être surveillés afin de veiller à ce qu'ils ne jouent pas avec l'appareil.

L'utilisation conforme comprend également :

- Le respect de l'ensemble des informations figurant dans la notice de montage/d'utilisation et
- L'interdiction de tout ajout/transformation du poste de travail.

1.3 Utilisation non conforme

- N'utilisez jamais le bâti de bureau pour soulever des personnes ou des charges.
- Ne dépassez pas la charge maximale que peut supporter ce bâti.
- N'utilisez pas ce bâti à domicile, mais uniquement dans des bureaux.
- Utilisez uniquement le poste de travail avec l'unité d'alimentation électrique incluse dans la livraison.

1.4 Consignes de mise à la terre

Ce bâti de bureau doit être mis à la terre. Raccordez ce bâti de bureau uniquement à une prise correctement mise à la terre. En cas de dysfonctionnement ou de panne, la mise à la terre fournit un chemin de moindre résistance au courant électrique afin de réduire le risque de choc électrique. Ce bâti de bureau est équipé d'un cordon muni d'une fiche de mise à la terre telle que celle illustrée à la figure 1. La fiche doit être insérée dans une prise correcte, qui a été installée et mise à la terre correctement conformément à tous les codes et règlements locaux.

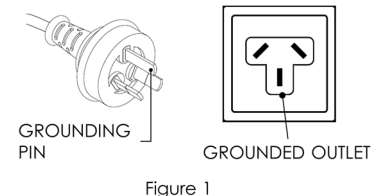


Figure 1

Cet appareil inclut une prise de terre à des fins fonctionnelles uniquement.

Pour la terre de protection, le terminal doit être raccordé à une liaison équipotentielle du bâtiment où le bâti de bureau est installé. Les terminaux pour le raccordement des conducteurs externes de la liaison équipotentielle permettront le raccordement de conducteurs présentant des sections de 2,5 mm² à 6 mm².

1.5 Risques

Un raccordement incorrect du conducteur de terre du bâti de bureau peut entraîner un risque de choc électrique. En cas de doute, contrôlez avec un électricien qualifié si le produit est correctement mis à la terre. Ne modifiez pas la fiche fournie avec le produit.

Si le cordon d'alimentation est endommagé, il doit être remplacé par un cordon spécial ou un assemblage disponible auprès du fabricant ou de son agent de maintenance.

AVERTISSEMENT : Tout changement ou modification non approuvé explicitement par le fabricant peut entraîner la révocation du droit de l'utilisateur à utiliser l'équipement.

1.6 Contenu de l'emballage

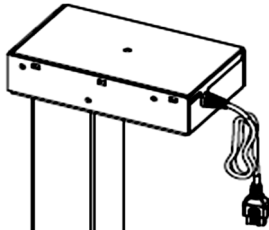
Français

Composants

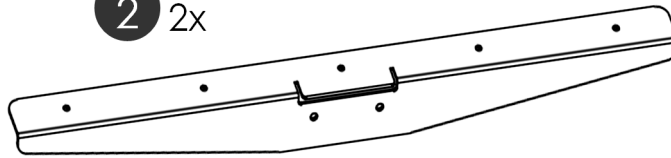


Le montage nécessite
2 personnes !

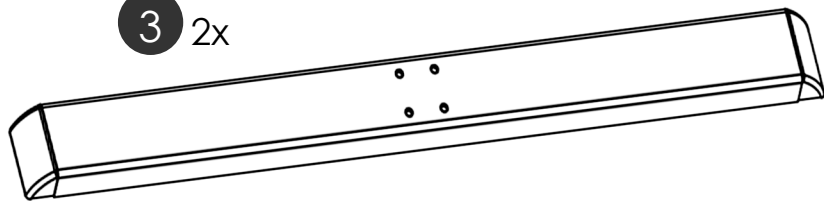
1 2x



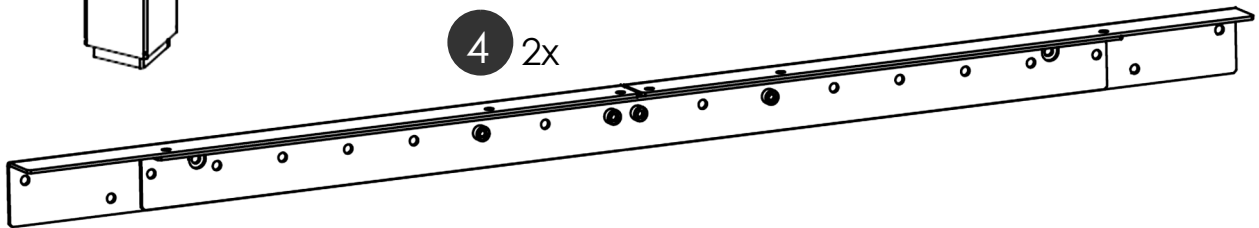
2 2x



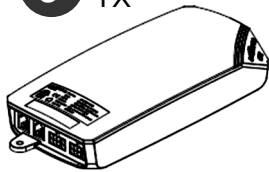
3 2x



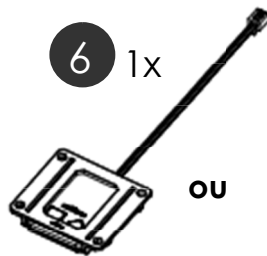
4 2x



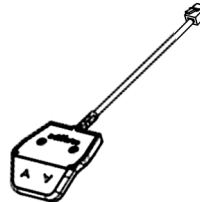
5 1x



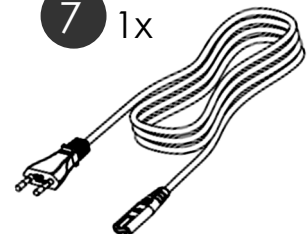
6 1x



ou

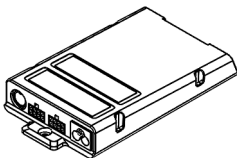


7 1x

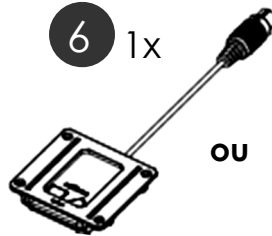


en option

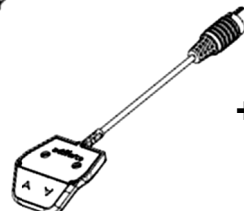
5 1x



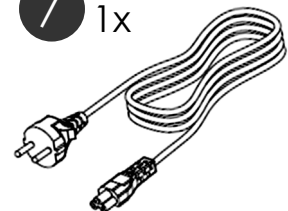
6 1x



ou



7 1x



Kit de pièces de montage

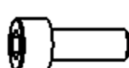
A 4x



B 8x

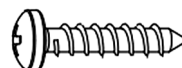


C 24x



M6x16

D 26x
28x



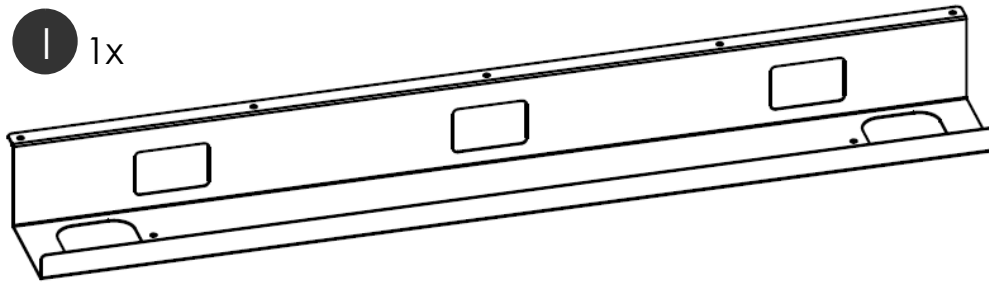
4.5x20

Outils

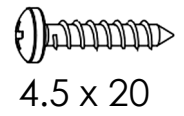


Accessoires en options

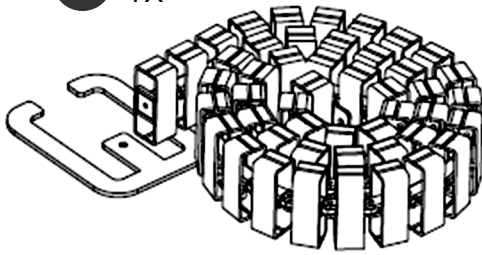
I 1x



II 5x



III 1x



IV 3x



M4 x 16
(2 pièces supplémentaires)

V 1x





4.5 x 16


2 Consignes de sécurité

2.1 Pictogrammes/avertissements



La notice de montage/d'utilisation contient les termes et pictogrammes de signalisation des dangers suivants :

	<p>Ce pictogramme signale une menace directe pour la vie ou l'intégrité physique des personnes. Le non-respect de ce pictogramme risque d'entraîner de graves conséquences sur l'intégrité physique, voire mettre la vie en danger et entraîner la mort.</p>
	<p>Ce pictogramme signale des informations importantes. Le non-respect de ces informations risque d'endommager le bureau.</p>

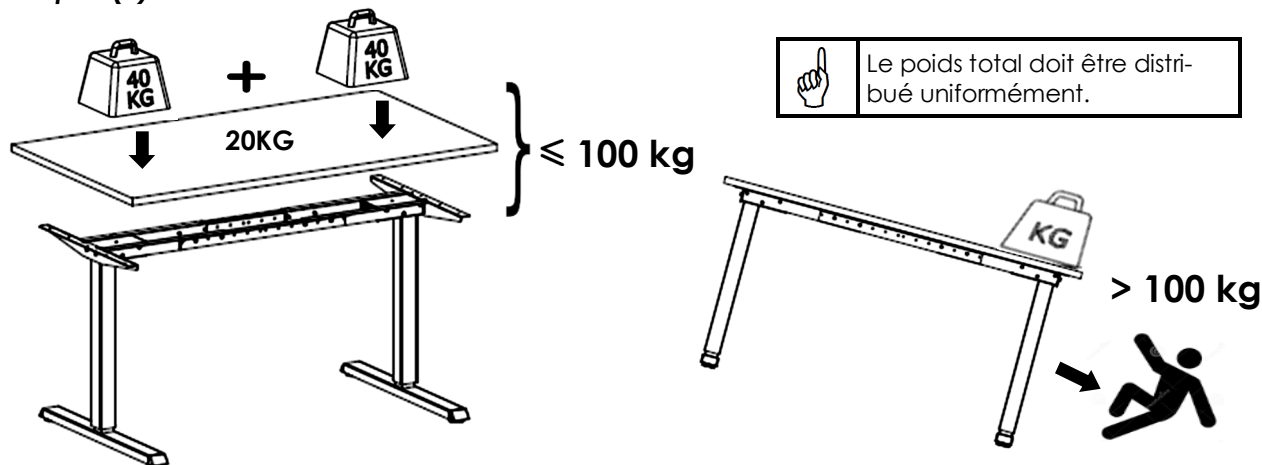
2.2 Pictogrammes utilisés sur le bâti de bureau

	<p>Ne placez aucun objet ou partie du corps sous le bâti de bureau ni entre les traverses. Il peut en résulter de graves blessures, voire la mort.</p>
---	--

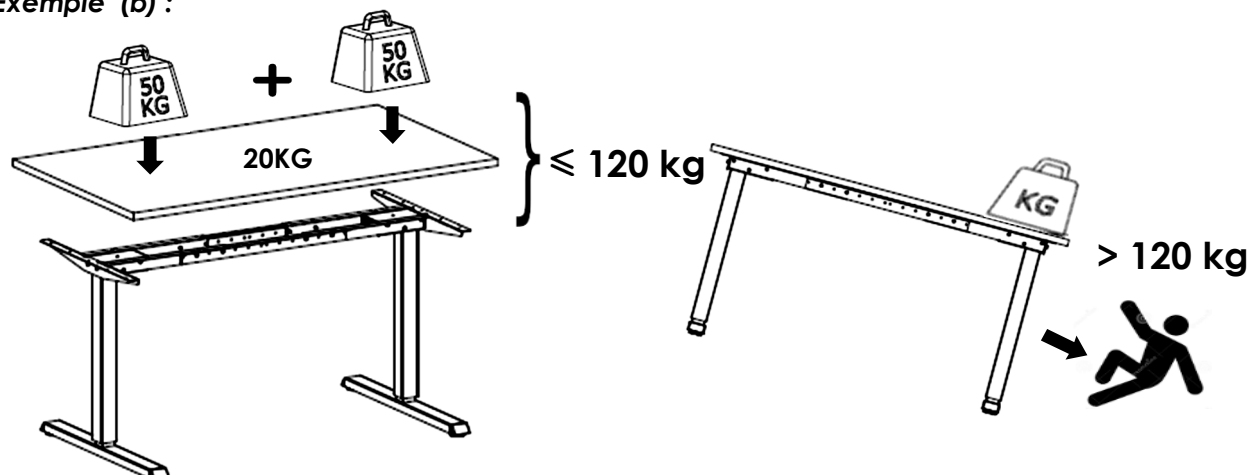
2.3 Poids maximum admissible sur le bâti

		<p>Ne dépassez pas la charge maximale admissible de (a) 100 kg, y compris le support du plateau (Smart-e-2) (b) 120 kg, y compris le support du plateau (Controlforce 2) sur le bâti de bureau. Évitez toute charge non équilibrée et distribuez le poids de manière uniforme, sinon une surcharge risque de se produire. Une surcharge du bâti peut provoquer une rupture et les personnes à proximité risquent d'encourir de graves blessures.</p>
--	--	---

Exemple (a) :

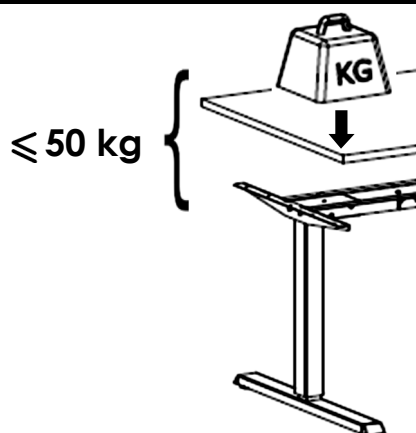


Exemple (b) :





Ne dépassez pas la charge maximale admissible de 50 kg (y compris le support de plateau) sur une colonne. Une surcharge du bâti peut provoquer une rupture et les personnes à proximité risquent d'encourir de graves blessures.



2.5 Mesures organisationnelles

- Le bâti de bureau doit être monté de préférence par deux personnes. Lorsque le plateau a été fixé, deux personnes sont nécessaires, en particulier pour retourner le bâti !

2.6 Mesures de sécurité recommandées

- Conservez toujours la notice de montage/d'utilisation là où le bâti de bureau est utilisé.
- Assurez-vous que toutes les consignes de sécurité sur le plateau (voir chapitre Pictogrammes utilisés sur le bâti de bureau) soient lisibles ; remplacez-les si nécessaire.

2.7 Remarques à l'intention des personnes chargées du montage

- Seules des personnes de plus de 16 ans sont autorisées à assembler/utiliser le poste de travail.
- Ces personnes doivent avoir lu et compris la notice de montage/d'utilisation.

2.8 Transport et montage

- Le bâti de bureau doit être déplacé par deux personnes, en position repliée.
- Ne traînez pas et ne poussez pas le bâti de bureau sur le sol.
- Montez le bâti de bureau uniquement à l'aide des outils fournis. Eux seuls sont garants d'un serrage des vis au couple correct.

2.9 Utilisation du bâti de bureau

- Ne permettez pas à des enfants d'utiliser le bâti de bureau sans surveillance. Les enfants peuvent ne pas être conscients des dangers que ce bâti de bureau implique. Ils pourraient être exposés à un très grand risque de blessures, voire à des conséquences fatales. Veillez en tout cas à ce que tout réglage supplémentaire soit impossible si le bâti de bureau est malgré tout utilisé par des enfants.
- Le bâti de bureau doit être employé uniquement dans des endroits appropriés.
- Ne l'utilisez pas sur une surface irrégulière, car il manquerait de stabilité.
- Ne dépassez jamais la charge maximale admissible sur le bâti de bureau.

2.10 Risques spécifiques

- Il existe un risque de blessure lors du réglage de la hauteur du bâti. Veillez à ce que personne ne se trouve à proximité immédiate du bâti.
- Lors du montage du bâti de bureau, veillez à ce qu'il y ait suffisamment d'espace pour éviter tout choc (p.ex. pente de toit, objets fixes, armoires à archives, corbeilles à papier, etc.) dans toutes les directions possibles.
- Veillez à ce qu'il y ait suffisamment d'espace pour éviter les chocs en cas de présence d'objets (ordinateurs ou périphériques) sur le plateau de bureau.
- Veillez à respecter un espacement d'au moins 25 mm par rapport à tout autre meuble, autour du bâti de bureau.

2.11 Procédure à suivre en cas d'urgence

- Cessez d'utiliser le bâti de bureau dès que vous notez quelque chose d'anormal (bruits étranges, etc.).
- Faites-le réparer par des spécialistes. Évitez de l'utiliser jusqu'à ce qu'il ait été correctement réparé.

2.12 Maintenance et entretien

- Le bâti de bureau et ses composants sont des pièces qui nécessitent peu d'entretien et qui ne requièrent aucune maintenance spéciale régulière.
- Ne réparez pas vous-même le plan de travail ou d'autres composants.
- Ne procédez à aucune modification structurelle du plan de travail ou de son bâti.
- Tout composant défectueux retiré doit être remplacé par des composants neufs et d'origine provenant du fabricant. Utilisez exclusivement de pièces de rechange d'origine du fabricant. Faites réaliser ce travail par un spécialiste, qui se référera à cette notice de montage/d'utilisation.

2.13 Nettoyage

- Déconnectez toujours ce poste de travail de la prise de courant avant de le nettoyer.
- Dépoussiérez le bâti de bureau avec un chiffon sec une fois par semaine.
- Nettoyez le bâti de bureau avec un chiffon humide et un détergent doux tous les quinze jours.

2.14 Risques persistants

Ce bâti de bureau a été conçu selon l'état de la technique et les réglementations de sécurité reconnues. Toutefois, son utilisation peut entraîner un risque pour l'intégrité physique et la sécurité des utilisateurs ou de tiers, et endommager ce bâti ou d'autres composants. Utilisez le bâti de bureau exclusivement :

- pour le but pour lequel il a été conçu.
- dans des conditions de sécurité absolues.

3 Montage



Avant de commencer le montage, lisez les consignes de sécurité au Chapitre 2.

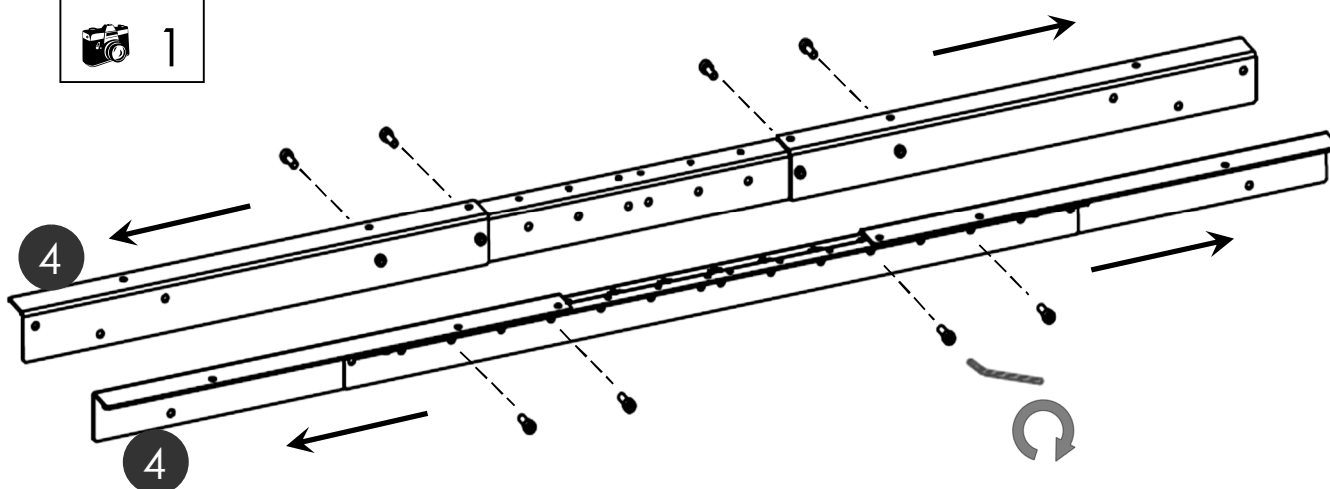


Afin de ne pas rayer les composants et le sol, il est recommandé d'utiliser une protection avant de procéder au montage. Vous pouvez, par exemple, vous servir du carton fourni en le dépliant.

3.1 Réglage de la traverse prémontée

3.1.1 Dimensions recommandées du support du plateau

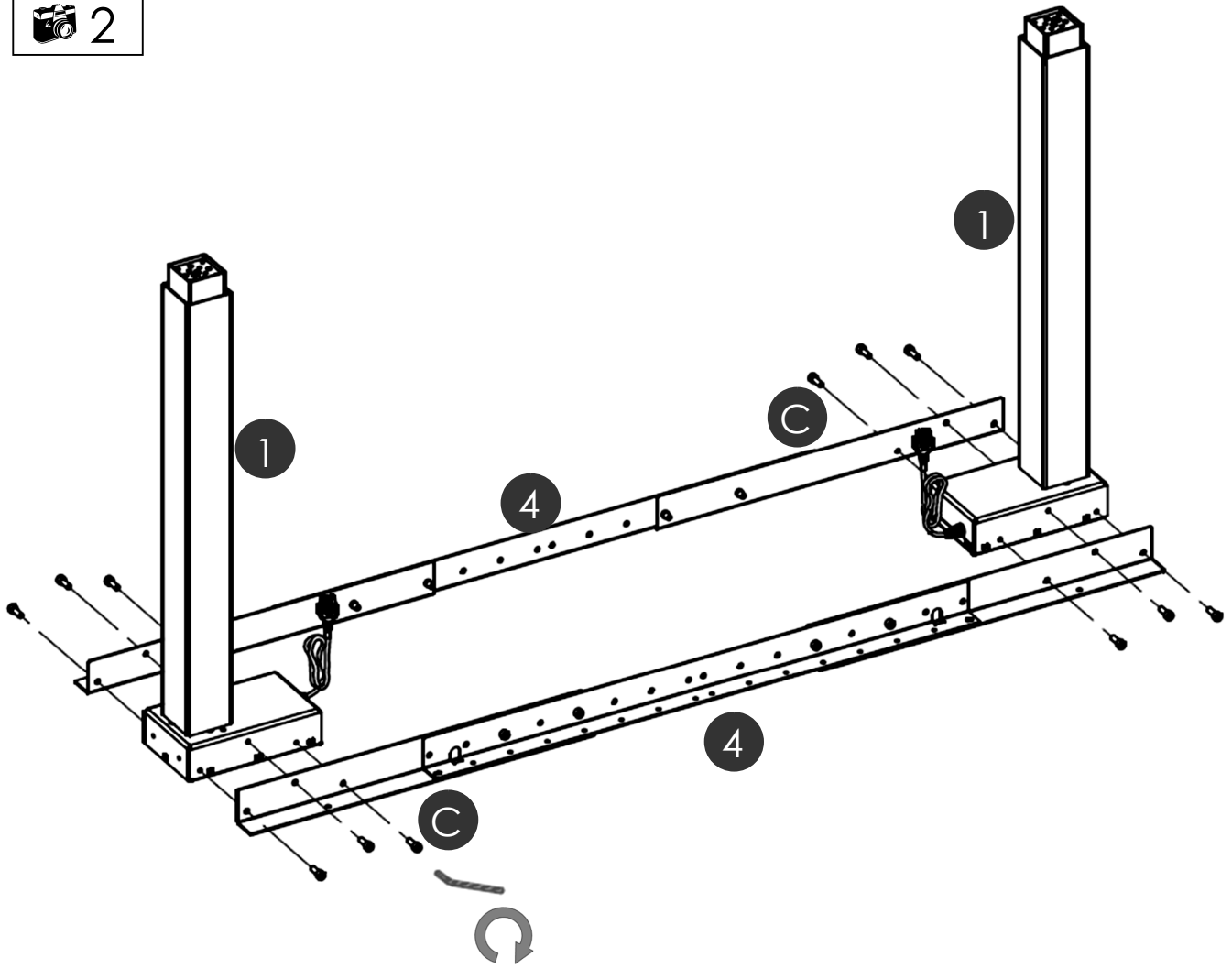
Montage du bâti	Largeur / taille du plateau de bureau	Profondeur / taille du plateau de bureau	Épaisseur du plateau de bureau
100 cm	110 cm	80 cm	2.5 cm
110 cm	120 cm	80 cm	2.5 cm
120 cm	130 cm	80 cm	2.5 cm
130 cm	140 cm	80 cm	2.5 cm
140 cm	150 cm	80 cm	2.5 cm
150 cm	160 cm	80 cm	2.5 cm



- Desserrez la vis d'assemblage sur les traverses.
- Réglez le bâti selon la largeur souhaitée.
- Serrez les vis montées sur les traverses à l'aide d'une clé Allen M3.

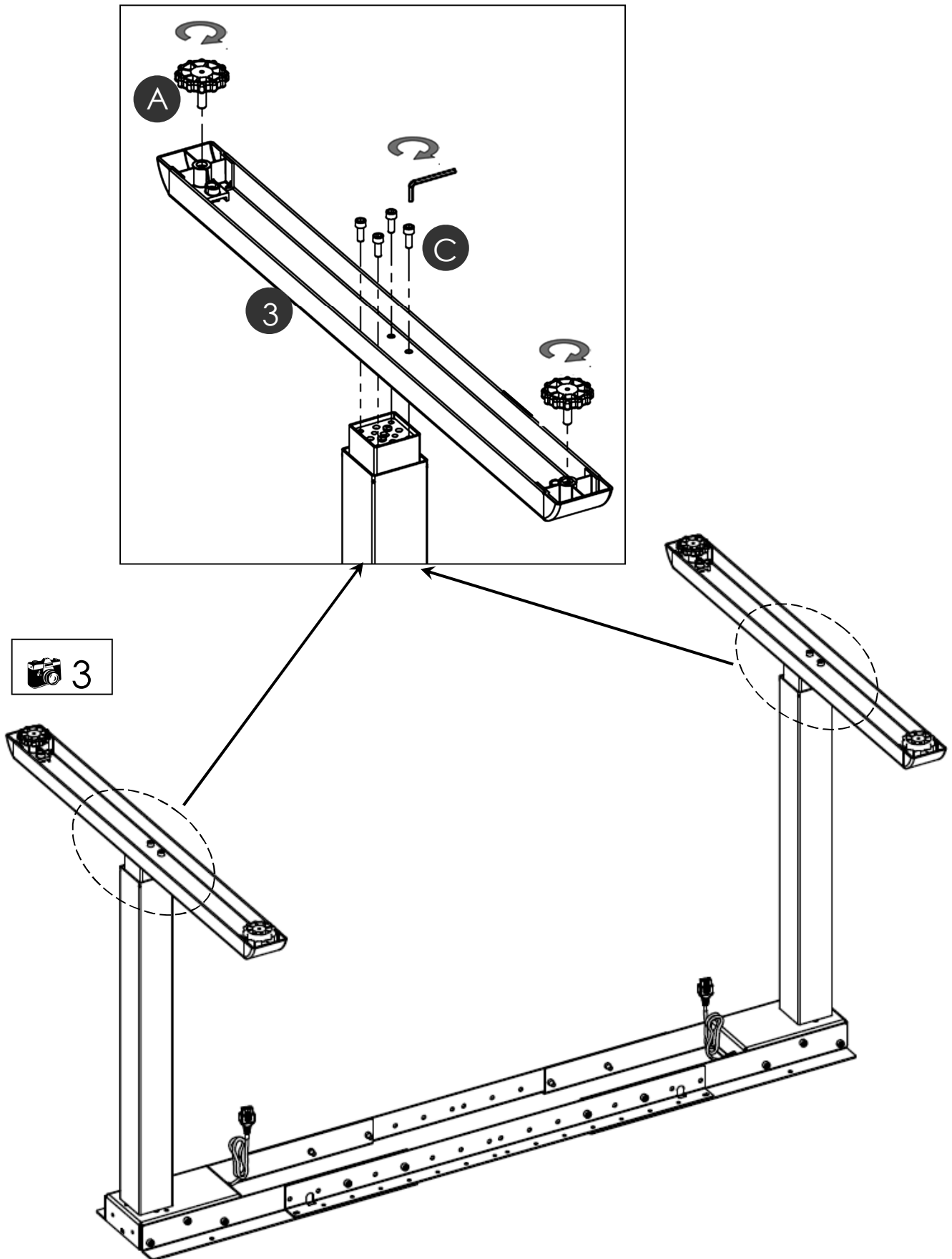
3.2 Montage de traverse prémontée

Français



3.3 Montage des patins

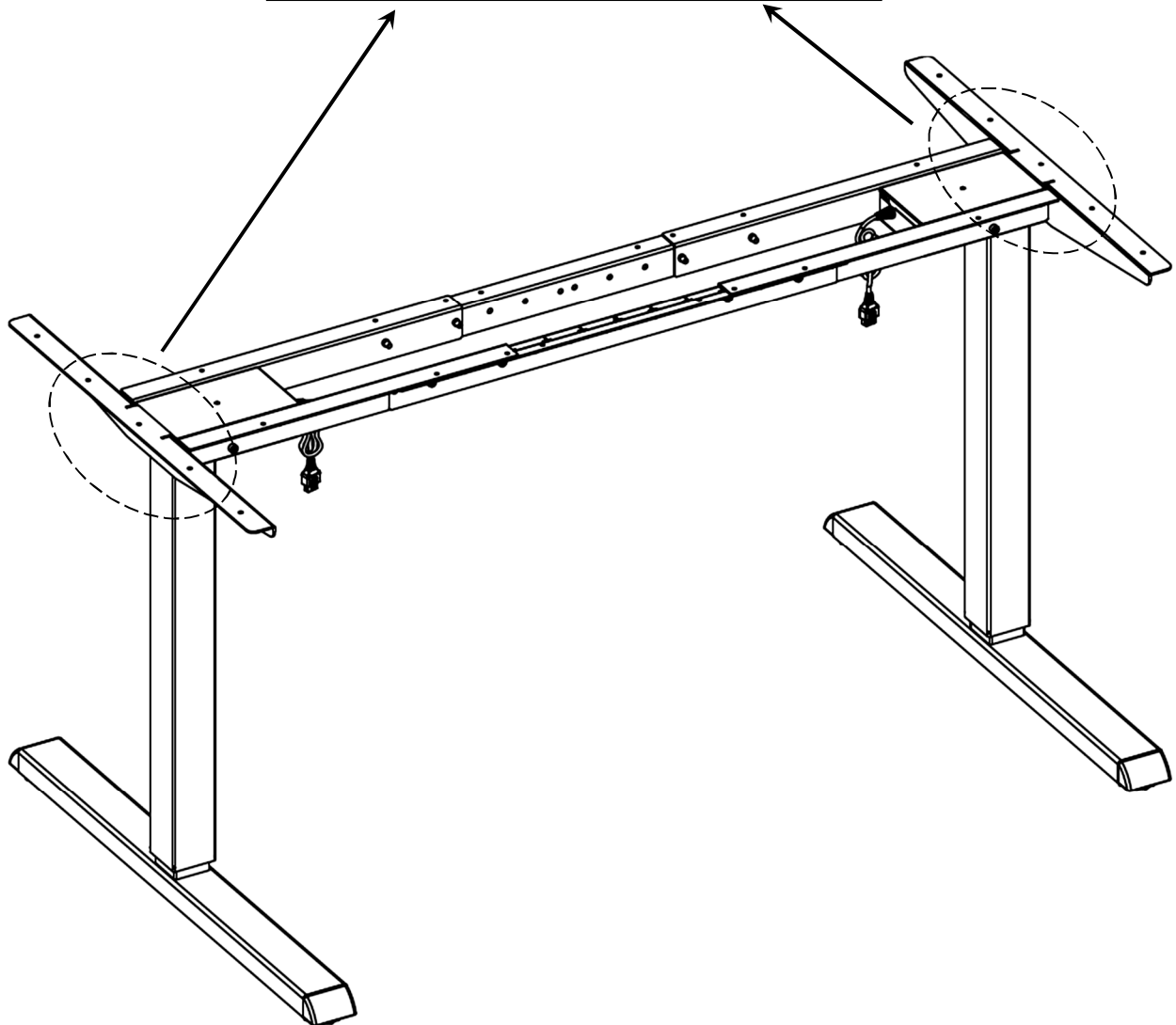
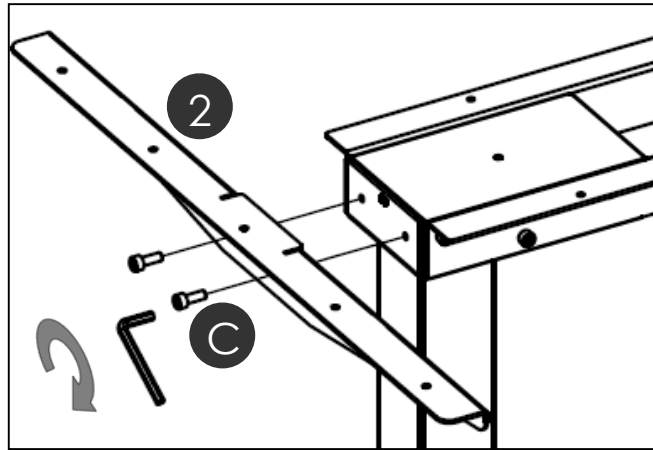
Français



3.4 Montage du support de plateau

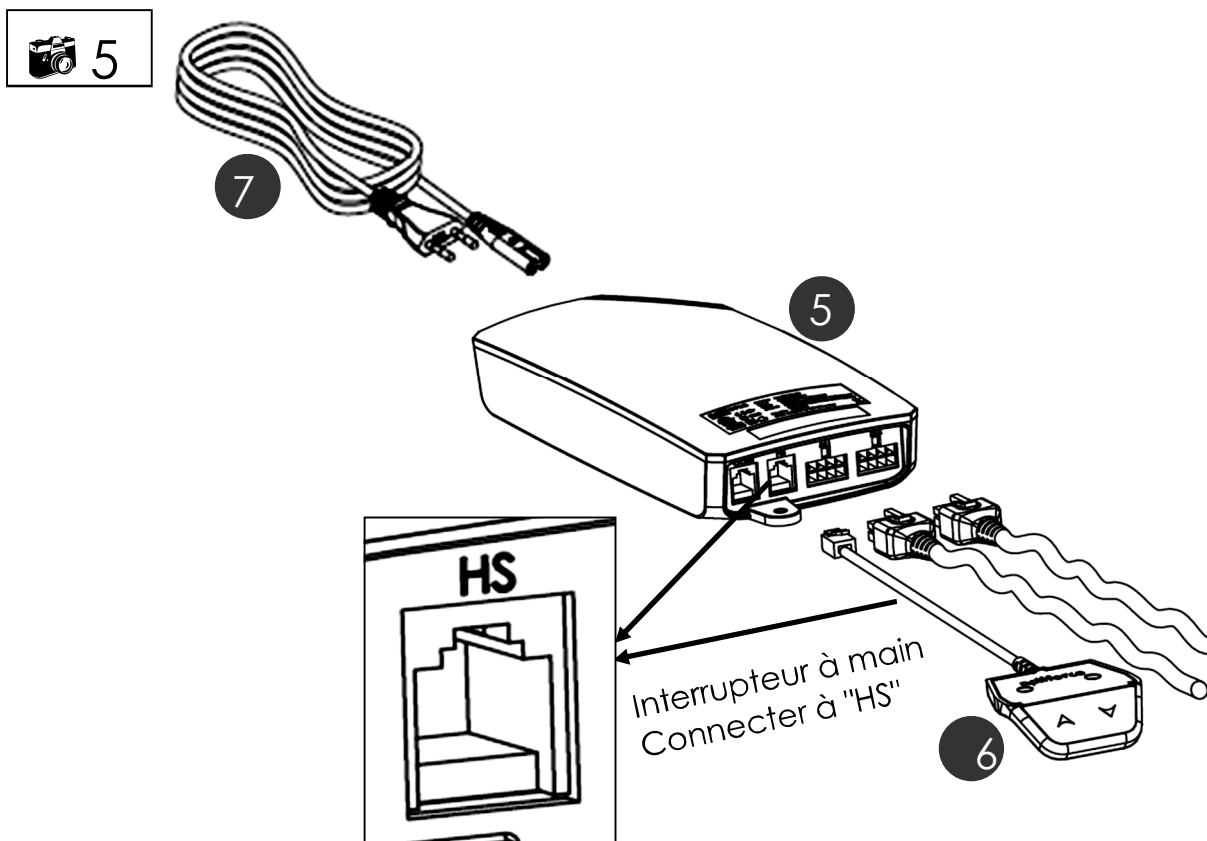
Français

 4

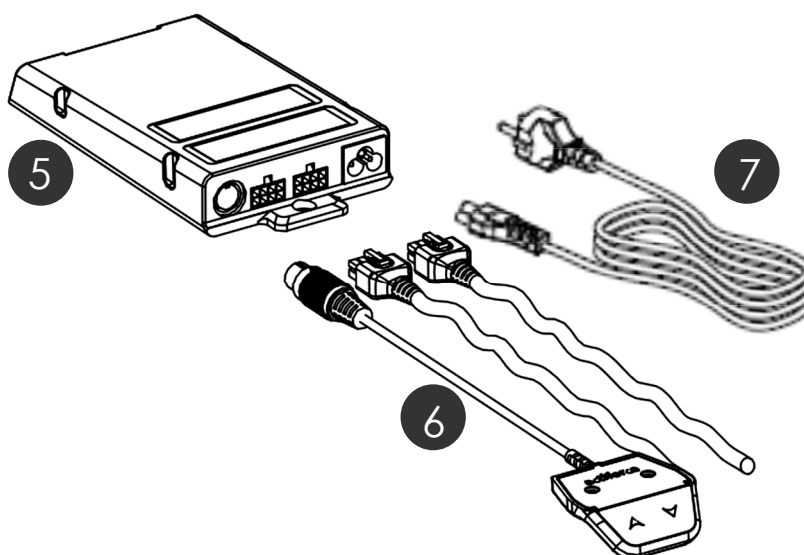


3.5 Raccordement des composants électriques

Français



EN OPTION



N'oubliez pas que le bureau que vous êtes en train de monter est réglable en hauteur. Les câbles des composants électriques doivent donc pouvoir suivre librement le mouvement du bureau.

3.6 Montage du plateau de bureau

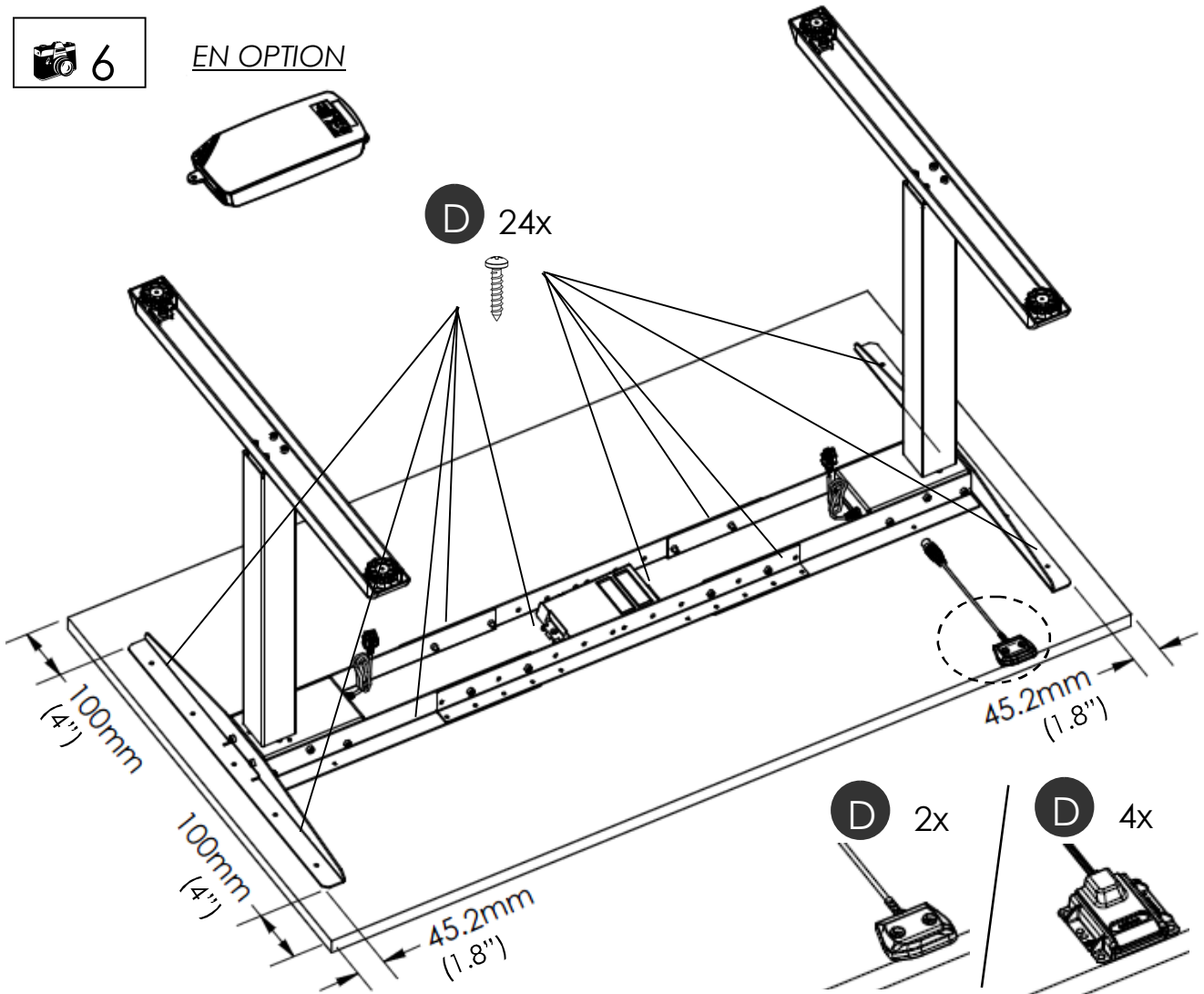
3.7 Montage de l'alimentation électrique sous le plateau de bureau

6

EN OPTION



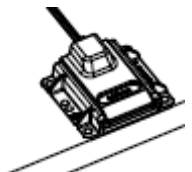
D 24x



D 2x



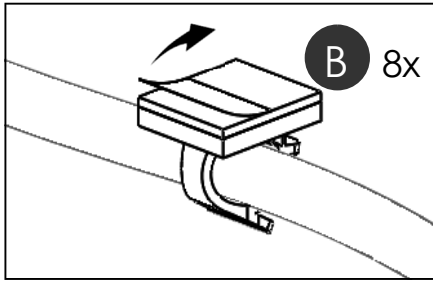
D 4x



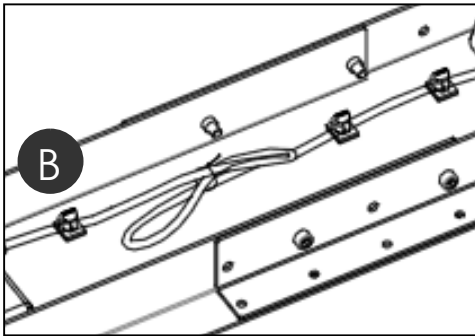
3.8 Montage des serre-câbles

Français

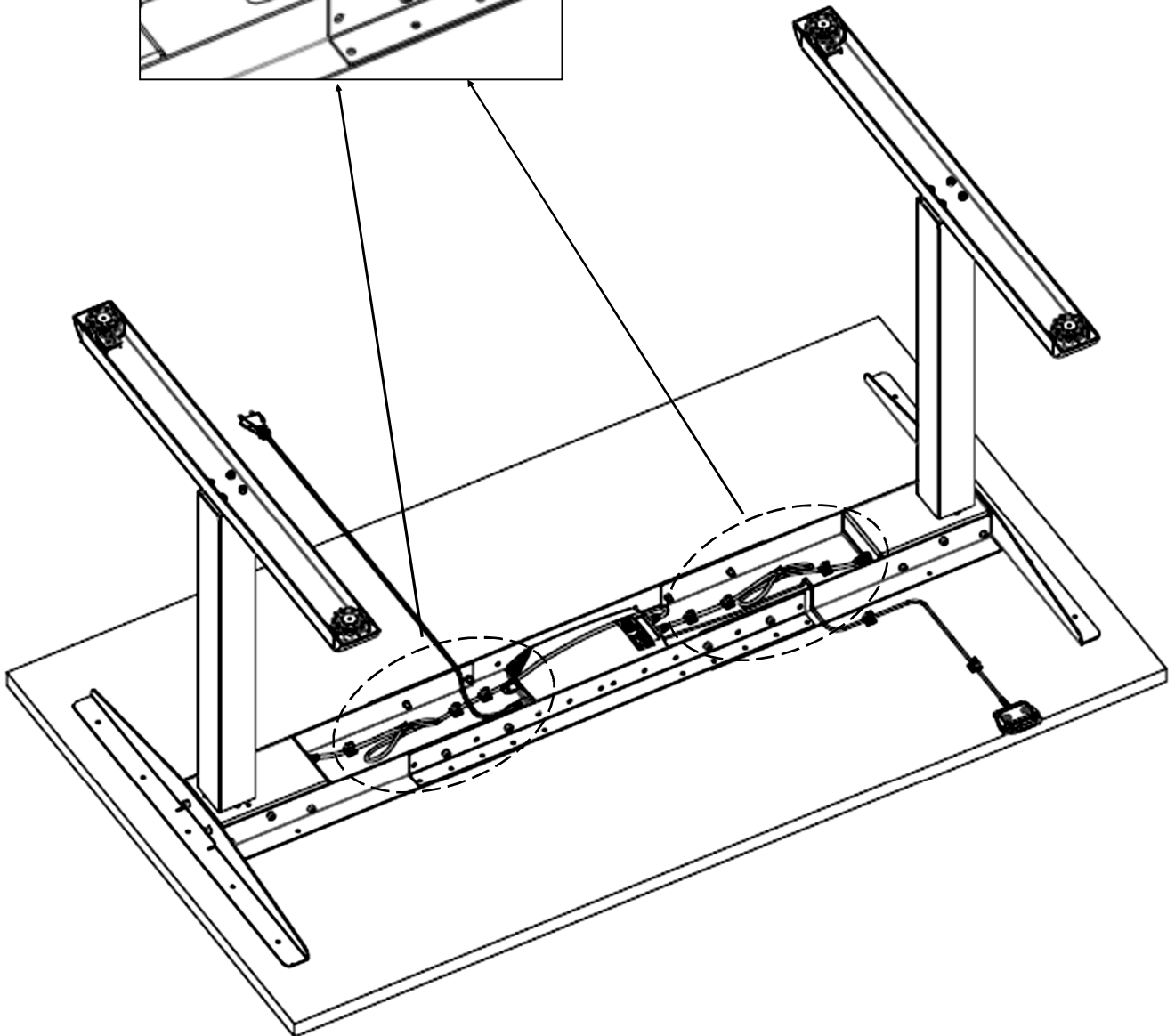
 7



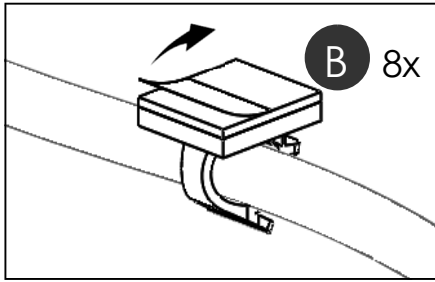
Montez le serre-câble. Décollez la protection en papier et collez le serre-câble au plateau. Placez les câbles dans chaque serre-câble.

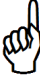


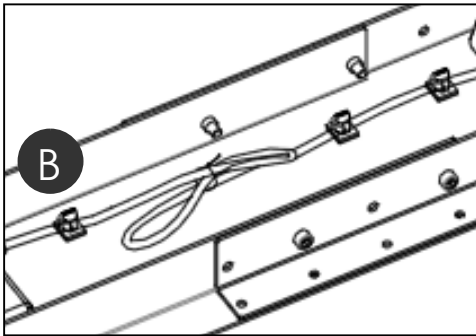
Assemblez les câbles individuels à l'aide d'un serre-câble.

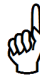


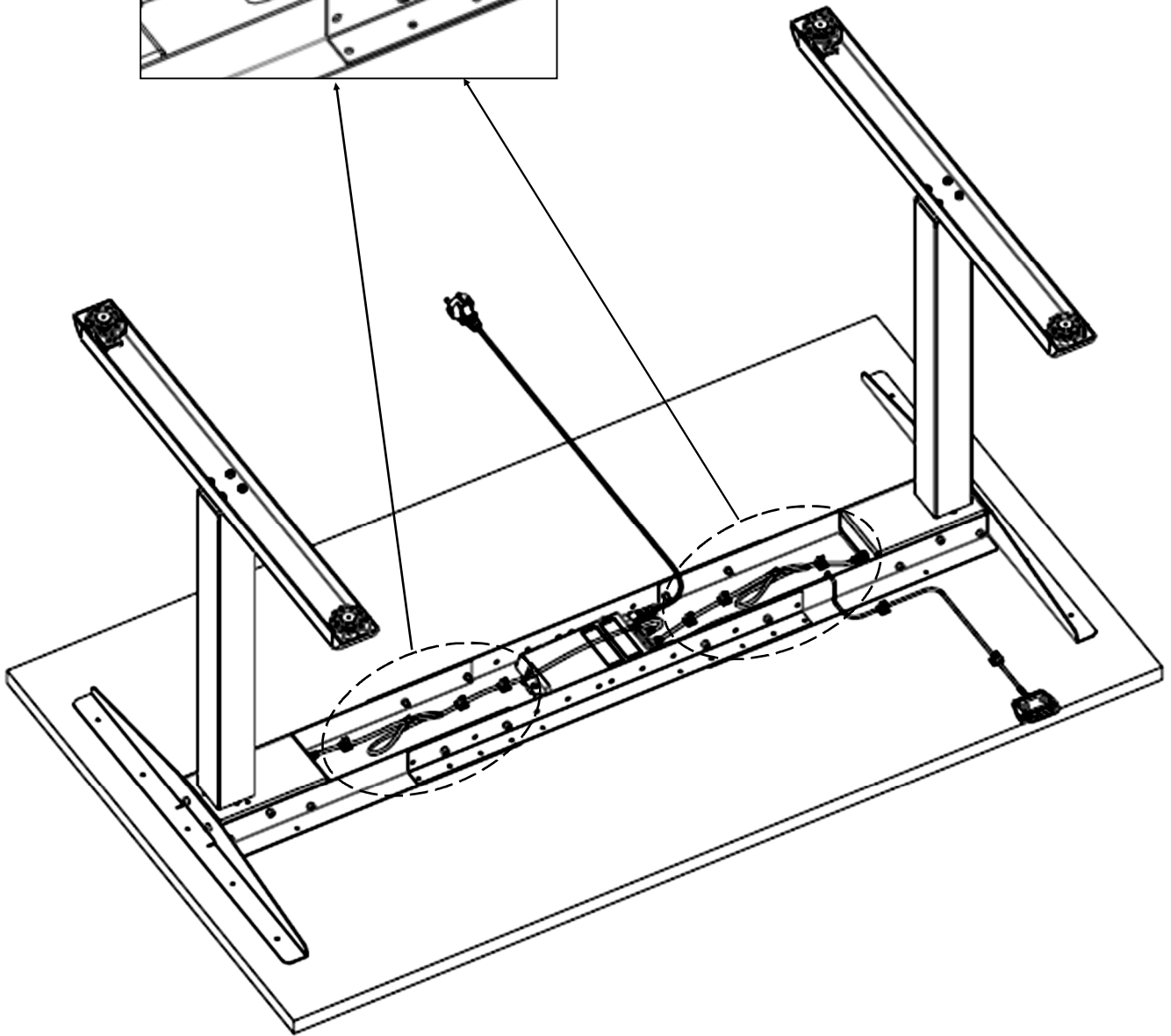
EN OPTION



 Montez le serre-câble. Décollez la protection en papier et collez le serre-câble au plateau. Placez les câbles dans chaque serre-câble.



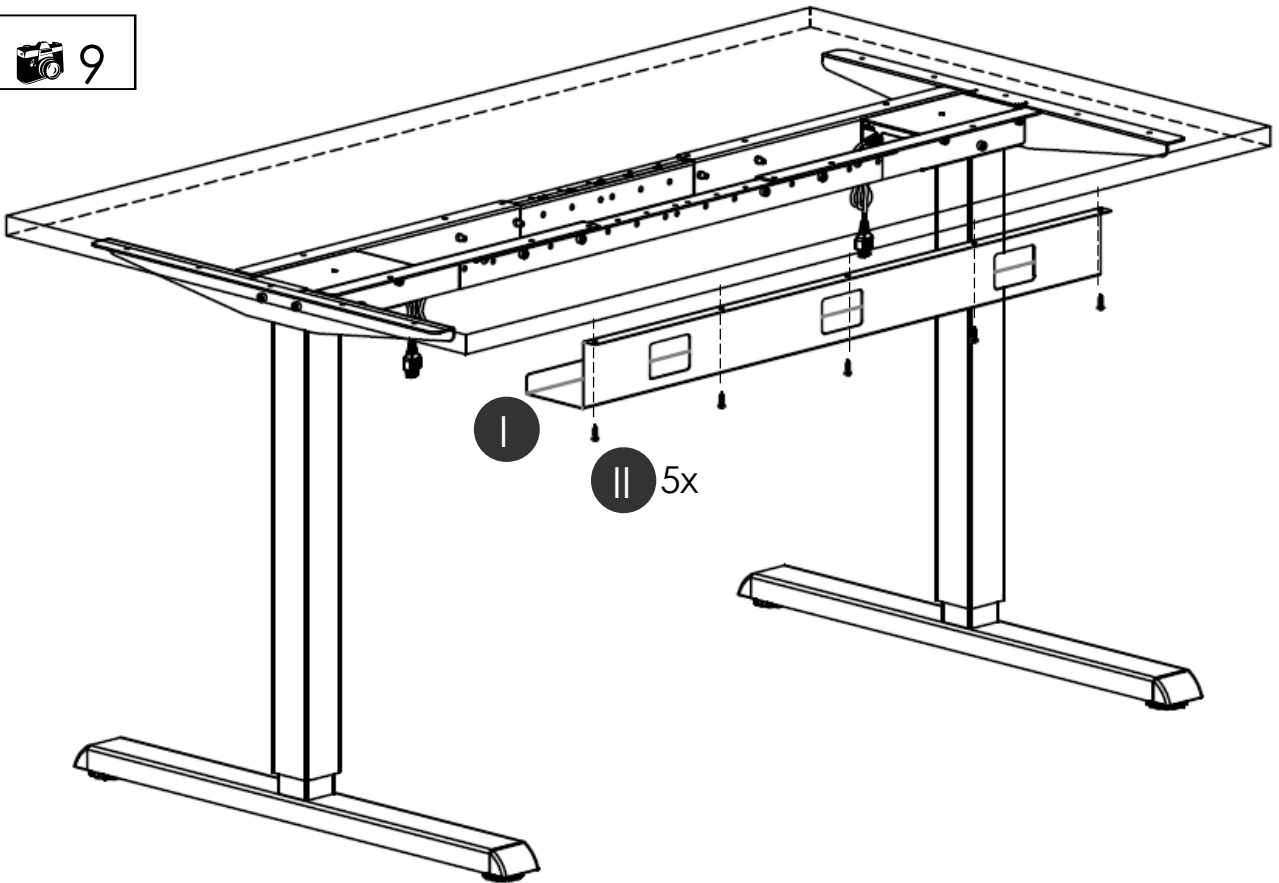
 Assemblez les câbles individuels à l'aide d'un serre-câble.



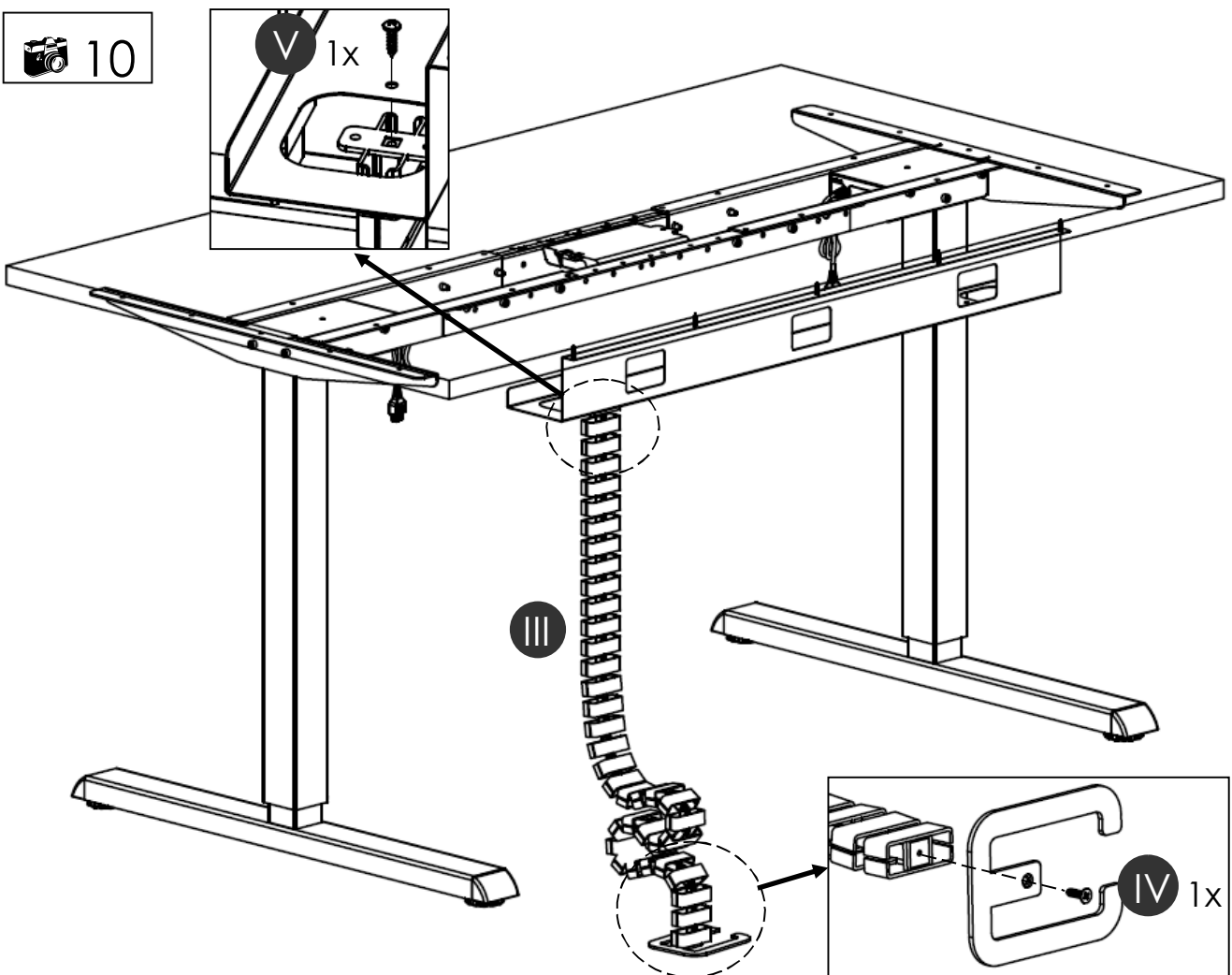
3.9 Montage des accessoires en option

Français

9

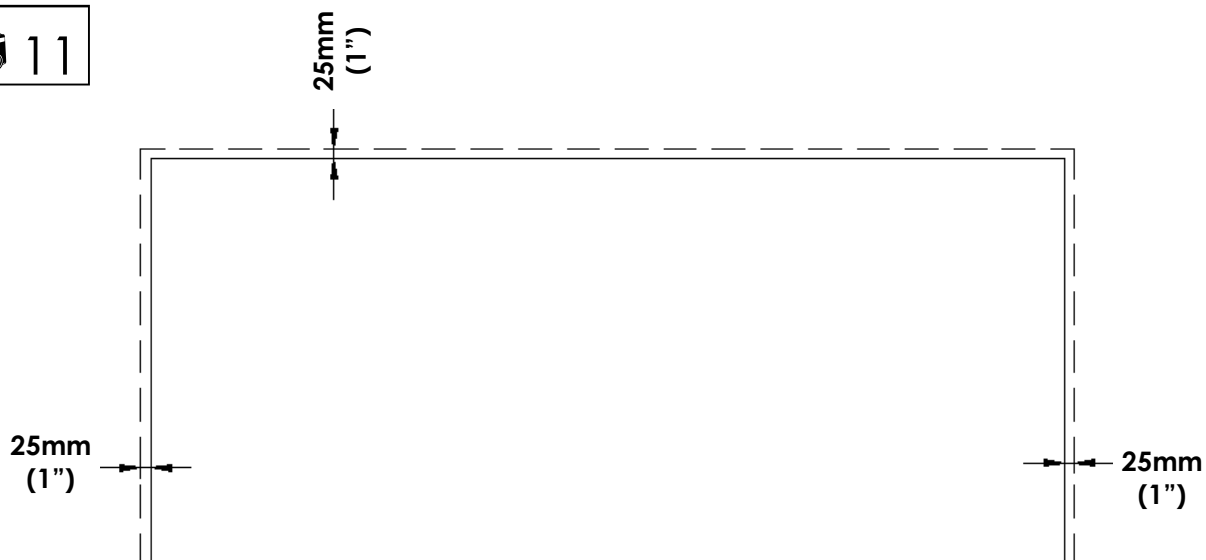


10



3.10 Espacement de 25mm du plateau de bureau par rapport au mur ou aux pièces mobiles

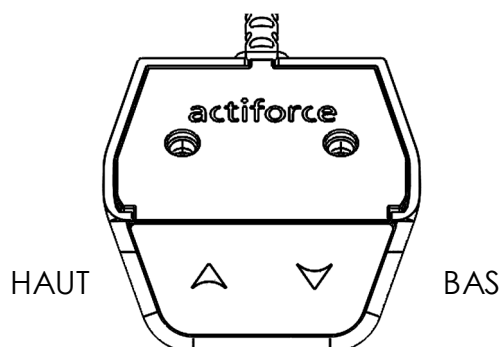
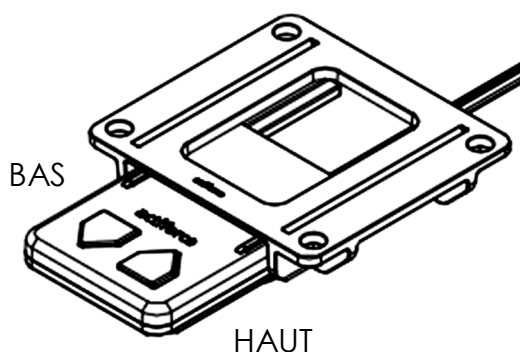
Français



Laissez un espacement minimum de 25 mm (1") entre le bord du plateau de bureau et un mur ou des pièces mobiles.

3.11 Essai de fonctionnement du bâti sans plateau

	Veillez à ce que le bâti de bureau puisse toujours se déplacer correctement et sans aucune gêne.
	Si vous devez débrancher des câbles de composants électriques, coupez toujours l'alimentation électrique au préalable.
	Si le dispositif de réglage de la hauteur ne fonctionne pas normalement, cessez immédiatement d'utiliser le bâti de bureau et débranchez l'alimentation électrique. Contactez le service après-vente pour tout conseil complémentaire.

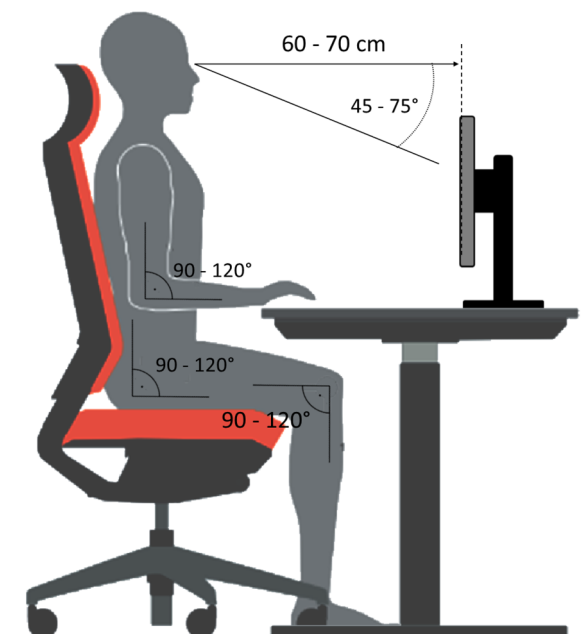


Mode de réinitialisation

La première fois que vous branchez la fiche d'alimentation dans la prise, le dispositif de réglage de la hauteur peut uniquement être actionné en mode de réinitialisation. Tant que le mode de réinitialisation est activé, le système ne peut se déplacer que vers le bas. Pour utiliser le système normalement, observez les étapes suivantes :

- Appuyez sur le bouton Bas et maintenez-le enfoncé : le système se déplace lentement vers le bas.
- Déplacez le système jusqu'à sa position la plus basse. Cette position servira de point de référence (point zéro).
- Maintenez le bouton enfoncé pendant un instant jusqu'à ce que le système ait atteint la position la plus basse. Cette opération met fin au mode de réinitialisation.
- À présent, le système peut être actionné normalement. Appuyez sur le bouton Haut ou Bas et maintenez-le enfoncé pour déplacer le système à la hauteur souhaitée. Le système s'arrête dès que vous relâchez le bouton.

4 Position correcte du siège



Bonne position assise

Une mauvaise position assise peut entraîner des lésions aux articulations, aux tendons et aux muscles. Pour les éviter, vous devez ajuster votre siège et votre table de bureau.

Parallèlement aux conseils suivants, il faut toujours éviter une position assise inconfortable. Si vous sentez que les conseils ci-dessous entraînent une position assise inconfortable, adoptez simplement celle qui répond à vos besoins.

Siège de bureau

- La hauteur d'assise doit être réglée de manière telle que vos genoux forment un angle à 90-120° lorsque vos pieds reposent à plat sur le sol.
- Dans une bonne position assise, le bas de votre dos doit toucher le dossier du siège. Aligned si possible la profondeur d'assise pour éviter toute pression du plateau du siège sur la partie inférieure de votre jambe.
- Asseyez-vous droit, mais penchez-vous en arrière en position décontractée. Si possible, réglez le support lombaire du siège à votre hauteur. Réglez le dossier du siège de sorte qu'il pousse légèrement le haut de votre corps vers l'avant, tout en prêtant suffisamment de souplesse aux mouvements.
- Réglez si possible la hauteur de vos accoudoirs. Vos épaules doivent être relâchées lorsque vos bras touchent l'accoudoir.

Bureau

- Réglez la hauteur du plateau une fois que vous avez trouvé votre bonne position assise.
- Vos coudes doivent former un angle à 90°-120° lorsque vos bras reposent sur le plateau de bureau. Vos bras ne doivent pas être comprimés contre le bord du plateau.

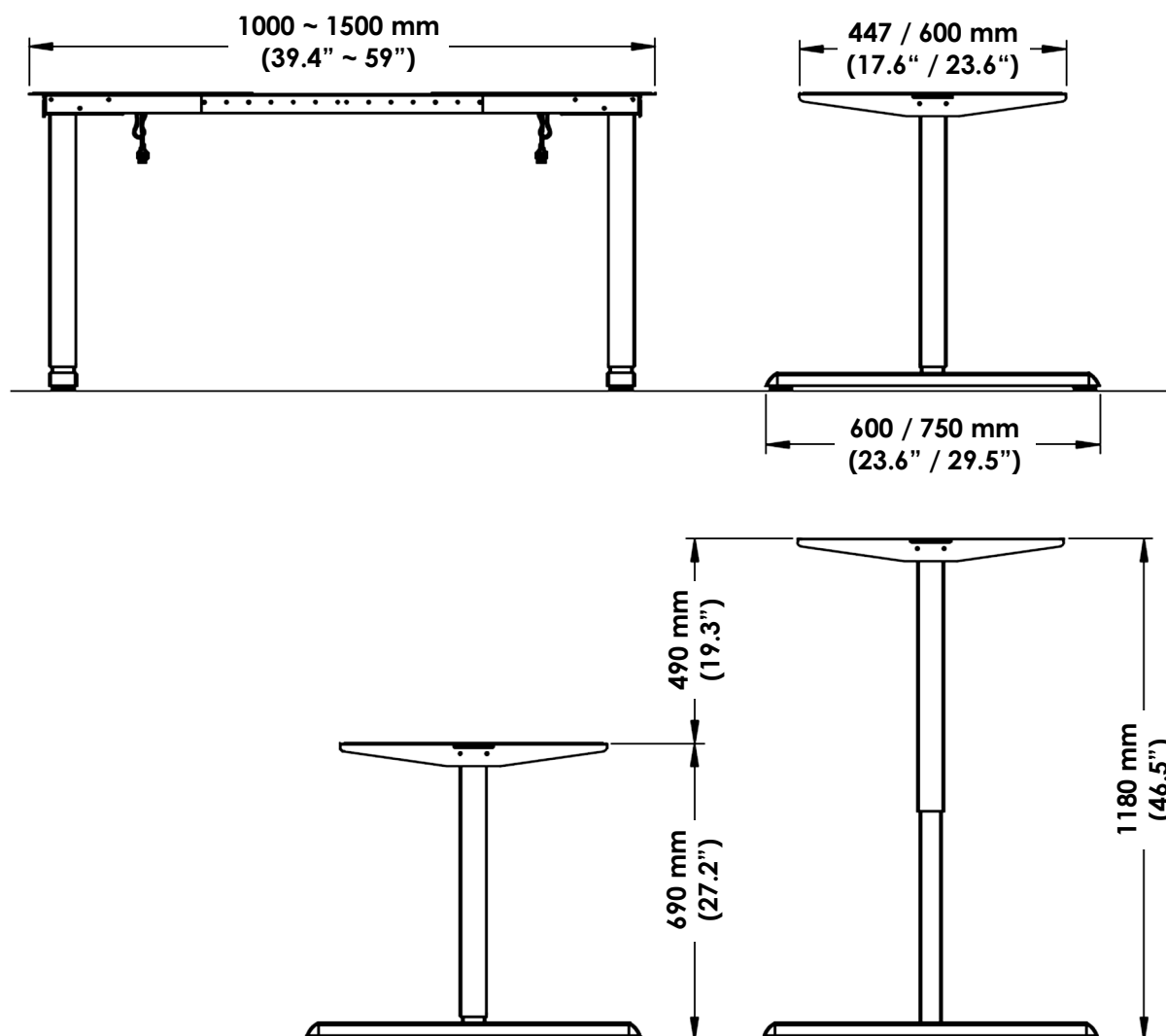
Équipement posé sur le bureau

- Un éclairage incident (lumière du jour ou lampe) sur votre écran doit être proche de la surface de l'écran suivant un angle à 90°.
- Réglez la hauteur de votre écran de sorte que vous puissiez regarder légèrement vers le bas tout en vous concentrant sur son centre.
- Observez une distance de 60-70 cm par rapport à votre écran.
- Vous pouvez laisser reposer tranquillement vos poignets en adoptant un clavier plat et rétréci.
- **Tenez compte des conseils indiqués dans les notices de vos autres équipements (ergonomiques).**

5 Caractéristiques techniques

Version de la notice de montage	SF-IM0001-0EN-DE-NL-FR-ES
Année de publication	2020
Pays de production	Malaisie
Système	1 phase
Matières	Acier, plastique et aluminium
Course (max.)	490mm (19.3")
Charge du bâti (max.) I. SMART-e-2 II. ControlForce 2	I. 100 kg II. 120kg
Poids du bâti I. Modèle SF 300 avec support de plateau de 600 mm & et patin de 750mm II. Modèle SF 300 avec support de plateau de 600 mm & et patin de 750mm avec accessoires en option III. Modèle SF 300 avec support de plateau de 447mm & et patin de 600mm IV. Modèle SF 300 avec support de plateau de 447mm & et patin de 600mm avec accessoires en option	I. ± 24 kg II. ± 26 kg III. ± 22.5 kg IV. ± 24.5 kg
Tension d'alimentation I. SMART-e-2-actiforce-EU II. SMART-e-2-actiforce-US III. ControlForce 2	II. 220-240Vac, 50-60Hz, 2.5A II. 120Vac, 60Hz, 5A III. 100-240Vac, 50-60Hz, 5.3A
Vitesse du bâti en charge	± 39 mm/s
Cycle d'utilisation	10 % (2 Minute on / 18 Minutes off)
Niveau sonore	< 50 dB(A)
Température ambiante d'utilisation	15 - 30°C
Température ambiante de stockage	10 - 50°C
Humidité de l'air en utilisation	<85%
Humidité de l'air en stockage	<50%
Durée de stockage max.	-
Utilisation à l'intérieur uniquement !!!	

(* Tolérance générale = ± 10 mm)



Hauteur de bâti minimale	690 mm	(27.2")
Hauteur de bâti maximale	1180 mm	(46.5")
Course maximale	490 mm	(19.3")
Largeur de bâti	1000-1500 mm	(39.4"- 59")
Profondeur de bâti	600 / 750 mm	(23.6" / 29.5")
Profondeur minimale du plateau de bureau	447 / 600 mm	(17.6" / 23.6")
Charge du bâti (max.)	100 / 120 kg	

6 Fonctionnement et indicateurs



Suivez les dispositions du Chapitre 2 Consignes de sécurité en page 7, en particulier :

Ne permettez pas à des enfants d'utiliser le bâti de bureau sans surveillance. Les enfants peuvent ne pas être conscients des dangers que ce bâti de bureau implique. Ils pourraient être exposés à un très grand risque de blessures, voire à des conséquences fatales.

Ne dépassez pas la durée de marche maximale du bâti de bureau. Veillez à ce qu'il y ait suffisamment d'espace pour éviter les chocs en cas de présence d'objets (ordinateurs ou périphériques) sur le plateau de bureau.

6.1 Indicateurs



Quittez les alentours du bâti de bureau dès qu'il se met à se déplacer spontanément. N'essayez absolument jamais d'actionner le bâti de bureau.

Cessez d'utiliser le bâti de bureau dès que vous notez quelque chose d'anormal (bruits étranges, fumée, etc.).

Faites-le réparer par des spécialistes. Évitez de l'utiliser jusqu'à ce qu'il ait été correctement réparé.

Cessez d'utiliser le bâti de bureau dès la moindre défaillance des dispositifs de sécurité.

7 Dépannage

Problème	Cause potentielle	Solution
Le système de réglage de la hauteur ne fonctionne pas.	Câbles ou connecteurs défectueux.	Vérifiez d'éventuels dommages des câbles et remplacez-les au besoin. L'alimentation électrique fonctionne-t-elle ?
Le système de réglage de la hauteur ne fonctionne pas.	Si les câbles et connecteurs ont été vérifiés, une défaillance de l'interrupteur haut-bas peut être une cause potentielle.	Remplacez l'interrupteur haut-bas.
Le système de réglage de la hauteur ne fonctionne pas.	Erreur dans l'alimentation électrique.	Initialisez le redémarrage.

Si votre problème n'a pas pu être résolu ou n'est pas indiqué ici, contactez votre service après-vente pour tout conseil complémentaire.

8 Service après-vente

Lorsque vous contactez le service après-vente, veillez à disposer des informations concernant le bâti de bureau à portée de main.

Revendeur :

9 Fabricant

Actiforce International B.V.

Het Steenland 20
3751 LA Bunschoten-Spakenburg
Pays-Bas

+31 (0)33 4600120
www.actiforce.com
info.holland@actiforce.com

10 Recyclage

10.1 Mise hors service du poste de travail

- Retirez la fiche de la prise électrique.

10.2 Démontage du poste de travail

- Pour le démontage, suivez les consignes dans l'ordre inverse ou contactez le service après-vente.

10.3 Recyclage

- Veuillez trier tous les composants en fonction du type de matière. Respectez les restrictions nationales !

1 Generalidades

1.1 Importancia del manual de montaje/funcionamiento

El principio rector para un funcionamiento seguro y exento de problemas de este soporte de la estación de trabajo es el conocimiento de la información y normas de seguridad básicas. El presente manual de montaje y funcionamiento recoge la información fundamental para el montaje y funcionamiento del soporte de la estación de trabajo de forma segura. El presente manual de montaje y funcionamiento, especialmente la información relativa a la seguridad incluida en el mismo, debe ser respetado por todas y cada una de las personas encargadas del montaje del soporte y que trabajen en la superficie acabada. Y lo que es aún más importante, deberán respetarse en todo momento las normas y reglamentos aplicables a la prevención de accidentes en el lugar en que vaya a utilizarse el soporte de la estación de trabajo.

1.2 Uso previsto

El soporte de la estación de trabajo debe ser utilizado exclusivamente en una estación de trabajo ajustable en altura para un uso de pie/sentado en oficinas u otras zonas cerradas. El soporte debe usarse exclusivamente con este fin. El soporte de la estación de trabajo deberá armarse y manejarse únicamente en entornos de oficinas. No utilice el soporte de la estación de trabajo en el hogar. Por favor, respete las disposiciones de la Sección 2, Información relativa a la seguridad. Los niños pueden no ser conscientes de los peligros que puede conllevar usar el soporte de la estación de trabajo cuando no están vigilados. Cualquier uso diferente al mencionado anteriormente será considerado uso indebido. El fabricante no podrá ser considerado responsable en modo alguno por los daños derivados de un uso indebido. Este aparato no debe ser usado por personas (niños incluidos) con discapacidades físicas, sensoriales o mentales o que no tengan la suficiente experiencia o conocimientos, a no ser que la persona responsable de su seguridad les supervise o les haya instruido previamente sobre el uso del aparato. Se debe supervisar a los niños para asegurarse de que no juegan con el aparato.

El uso previsto incluirá asimismo:

- el cumplimiento de toda la información recogida en el manual de montaje y funcionamiento, y
- la prohibición de todo tipo de adiciones a la estación de trabajo o modificaciones de la misma.

1.3 Uso indebido

- No utilice jamás el soporte de la estación de trabajo para elevar personas o cargas.
- No sobrepase la carga máxima del soporte de la estación de trabajo.
- No use el soporte de la estación de trabajo en el hogar; es decir, úselo exclusivamente en oficinas.
- La estación de trabajo debe utilizarse únicamente con la fuente de alimentación que se incluye en el suministro.

1.4 Instrucciones de puesta a tierra

Este soporte de la estación de trabajo debe estar conectado a tierra. El soporte de la estación de trabajo debe conectarse únicamente a un enchufe con una conexión adecuada a tierra. En caso de un fallo o avería, la conexión a tierra ofrece el camino de menor resistencia para la corriente eléctrica, por lo que se reduce el riesgo de descarga eléctrica. Este soporte de estación de trabajo está equipado con un cable con un enchufe con conexión a tierra, tal y como el que se muestra en la Figura 1. El enchufe debe conectarse en una toma de corriente correctamente instalada y puesta a tierra de conformidad con todas las normas y ordenanzas locales.

Este aparato incluye una conexión a tierra únicamente para esta funcionalidad.

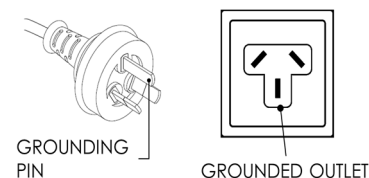


Figure 1

⚠ Para que la puesta a tierra sirva de protección, el terminal deberá estar conectado con la conexión de equipotencial del edificio donde se instale el soporte de la estación de trabajo. Los terminales para la conexión de los conductores equipotenciales externos deberán permitir la conexión de conductores con áreas transversales nominales de 2,5 mm² a 6 mm².

1.5 Peligro

Una conexión incorrecta del conductor de puesta a tierra del soporte de la estación de trabajo puede dar lugar a una descarga eléctrica. Consulte a un electricista cualificado en caso de tener dudas sobre si el producto está correctamente conectado a tierra. No realice ninguna modificación en el enchufe suministrado con el producto.

Si el cable suministrado sufriera algún daño, deberá sustituirse por un cable o un kit especial que le puede facilitar el fabricante o el agente de servicio al cliente.

ADVERTENCIA: cualquier cambio o modificación no autorizado expresamente por el fabricante podría anular la autoridad del usuario para manejar el equipo.

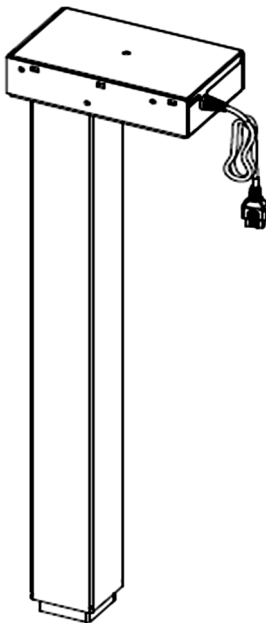
1.6 Contenido de la caja

Artículos

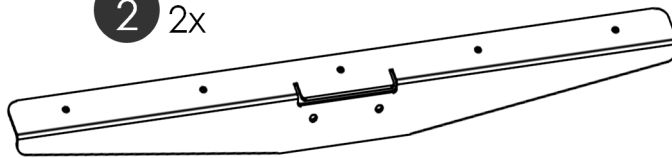


¡El montaje requiere la colaboración de dos personas!

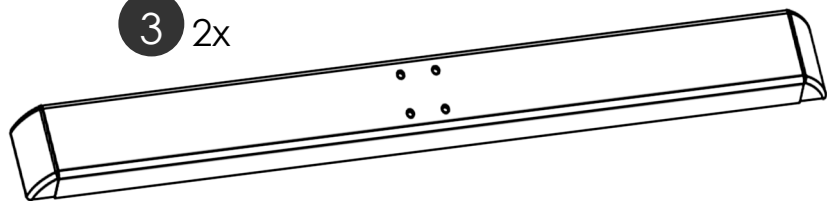
1 2x



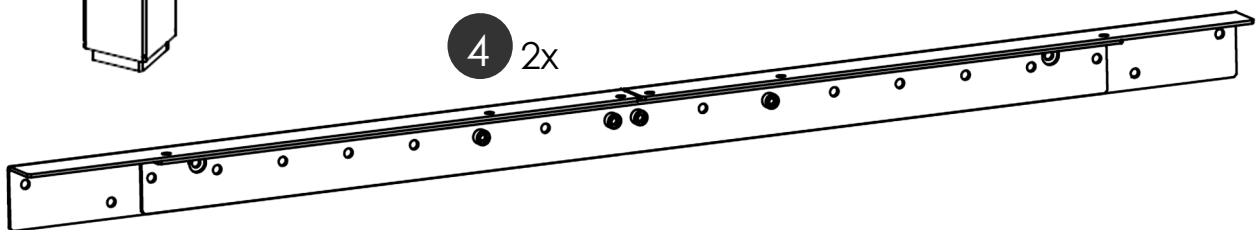
2 2x



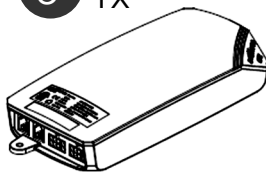
3 2x



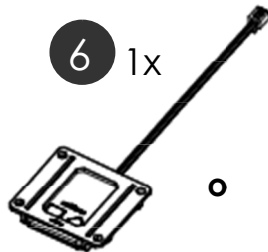
4 2x



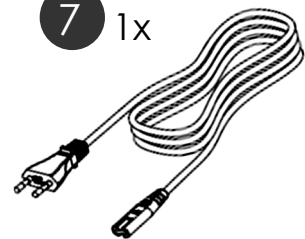
5 1x



6 1x

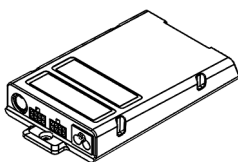


7 1x

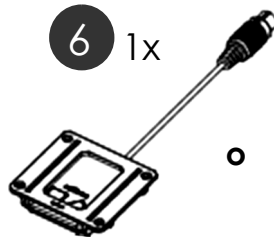


opcional

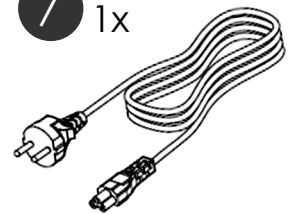
5 1x



6 1x

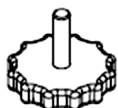


7 1x



Kit de herramientas

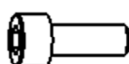
A 4x



B 8x



C 24x



M6x16

D 26x
28x



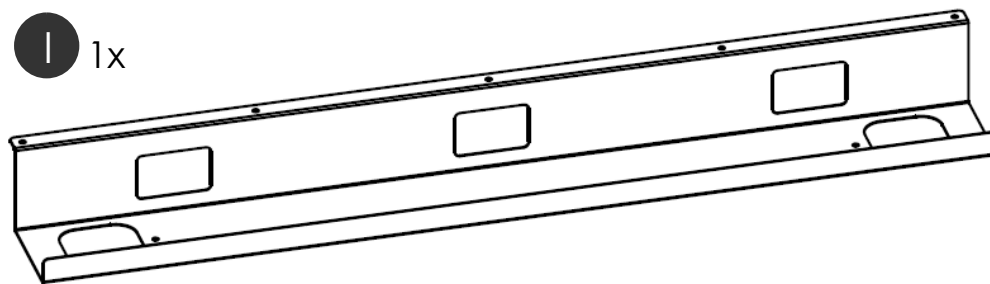
4.5x20

Herramientas

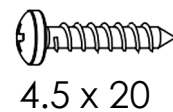


Accesorios opcionales

I 1x

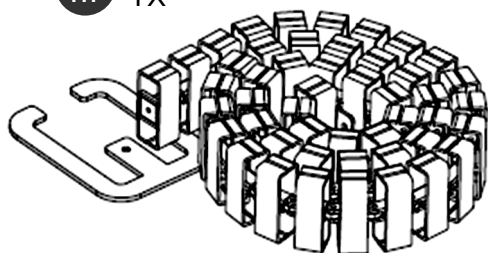


II 5x



4.5 x 20

III 1x



IV 3x



M4 x 16

(2 piezas adicionales)

V 1x





4.5 x 16


2 Información relativa a la seguridad

2.1 Símbolos/Advertencias



El manual de montaje y funcionamiento utiliza los siguientes términos y símbolos para indicar peligros:

	Este símbolo indica una situación de peligro inmediato para la vida o la salud de las personas. El incumplimiento de estas instrucciones puede tener graves consecuencias para la salud y podría incluso conducir a una lesión de gravedad o a la muerte.
	Este símbolo indica que se trata de información importante. El incumplimiento de estas instrucciones puede ocasionar daños en la estación de trabajo.

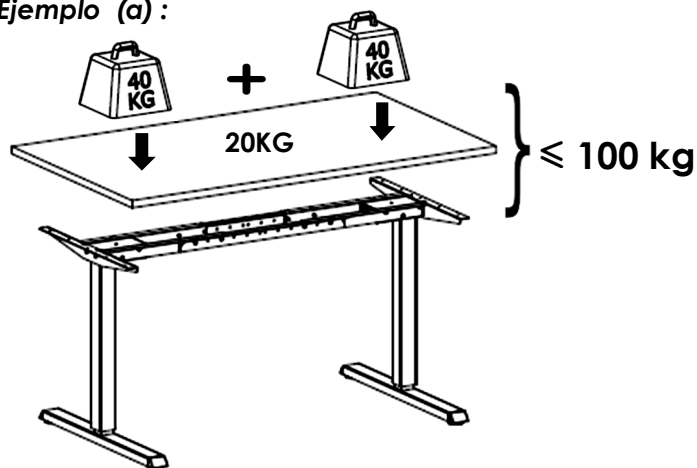
2.2 Símbolos utilizados en el soporte de la estación de trabajo


	No coloque objetos ni partes del cuerpo debajo del soporte de la estación de trabajo ni entre las partes transversales. Esto podría causar lesiones graves o incluso la muerte.
---	---

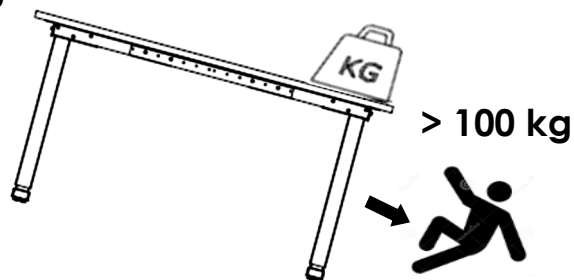
2.3 Peso máximo permitido sobre el soporte

		No sobrepase la carga máxima permitida de (a) 100 kg incluyendo el tablero (Smart-e-2) (b) 120 kg incluyendo el tablero (ControlForce-2) sobre el soporte de la estación de trabajo. Evite las cargas desequilibradas, distribuya el peso de forma uniforme, de otro modo puede producirse una sobrecarga. Sobrecargar un soporte puede provocar la rotura del mismo y causar lesiones graves a las personas que se encuentren cerca.
--	--	--

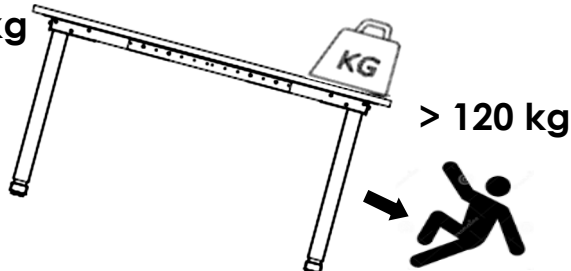
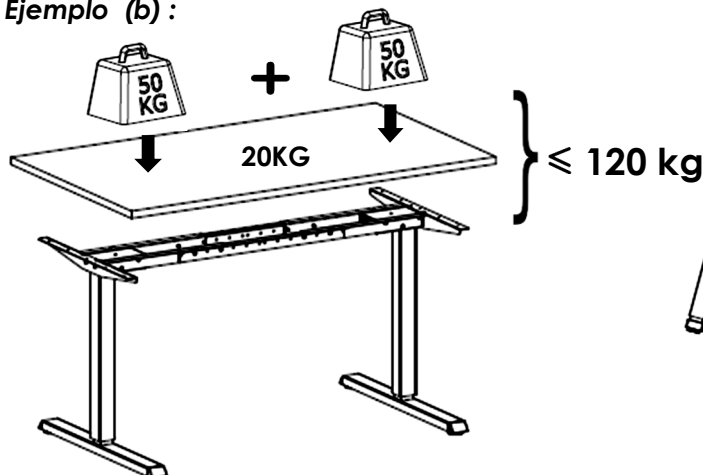
Ejemplo (a):



 El peso total debe estar distribuido de forma uniforme

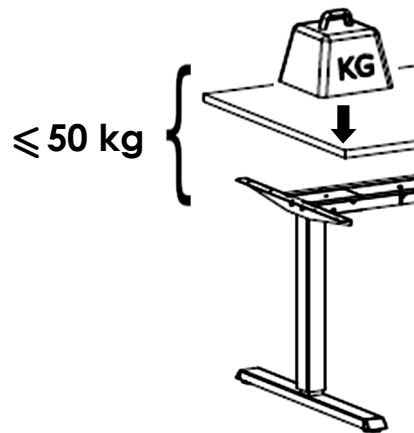


Ejemplo (b):





No sobrepase la carga máxima permitida de 50 kg (incluyendo el tablero) sobre una columna. Sobrecargar un soporte puede provocar la rotura del mismo y causar lesiones graves a las personas que se encuentren cerca.



2.5 Medidas organizativas

- Se recomienda que el montaje del soporte de la estación de trabajo sea realizado por dos personas. ¡Sobre todo dar la vuelta al soporte una vez que se haya colocado la superficie de trabajo es un trabajo que requiere la colaboración de dos personas!

2.6 Medidas de seguridad informativas

- ·Conserve siempre el manual de montaje y funcionamiento en el lugar donde se use el soporte de la estación de trabajo.
- ·Asegúrese de que toda la información relativa a la seguridad de la mesa (ver Sección Símbolos utilizados en el soporte de la estación de trabajo) sea legible, reemplazándola en caso de que fuese necesario.

2.7 Aviso para los operarios encargados del montaje de la estación de trabajo

- ·Solo personas mayores de 16 años podrán montar/trabajar en la estación de trabajo.
- Las personas a las que hace referencia la frase anterior deberán haber leído y comprendido el manual de montaje y funcionamiento.

2.8 Transporte y montaje

- El soporte de la estación de trabajo solo podrá ser desplazado por dos personas, y en estos casos deberá estar en posición retraída.
- No tire del soporte de la estación de trabajo ni lo arrastre por el suelo.
- El montaje del soporte de la estación de trabajo deberá realizarse únicamente con las herramientas suministradas. Son las únicas herramientas que garantizan que los tornillos puedan ser apretados al par de apriete adecuado.

2.9 Uso del soporte de la estación de trabajo

- No permita que los niños utilicen el soporte de la estación de trabajo sin supervisión. Los niños pueden no ser conscientes de los peligros que comporta el soporte de la estación de trabajo, por lo que correrían un grave riesgo de sufrir lesiones, incluso con consecuencias fatales. Cualquier ajuste posterior deberá ser imposible, como medida de salvaguardia en caso de uso por niños.
- El soporte de la estación de trabajo solo deberá usarse en zonas apropiadas.
- No utilice el soporte de la estación de trabajo en una superficie irregular, pues en tales condiciones el soporte no será estable.
- No sobrepase nunca la carga máxima autorizada del soporte de la estación de trabajo.

2.10 Riesgos específicos

- Existe un riesgo de lesiones al ajustar la altura del soporte. Asegúrese de que no haya ninguna otra persona en las proximidades del soporte.
- Al montar el soporte de la estación de trabajo, asegúrese de que hay espacio suficiente para evitar choques (p. ej. por la inclinación del tejado, con objetos fijos, archivadores, papeleras, etc.) en todas las direcciones posibles.

- Asegúrese de que hay espacio suficiente para evitar choques en caso de que haya objetos sobre la superficie de trabajo, como por ejemplo ordenadores o equipos periféricos.
- Asegúrese de que alrededor del soporte de la estación de trabajo haya una distancia libre de al menos 25 mm respecto al resto del mobiliario.

2.11 Instrucciones en caso de emergencia

- Deje de usar el soporte de la estación de trabajo inmediatamente si nota algo fuera de lo habitual (sonidos extraños, etc.).
- Asegúrese de que el soporte de la estación de trabajo sea reparado por especialistas. Absténgase de usar el soporte de la estación de trabajo hasta que haya sido reparado con éxito.

2.12 Mantenimiento y reparación

- El soporte de la estación de trabajo y sus componentes exigen poco mantenimiento y no requieren un mantenimiento periódico especial.
- No efectúe usted mismo ningún trabajo de reparación en la superficie de trabajo o en otros componentes.
- No modifique la construcción de la superficie de trabajo o de su soporte.
- Cualquier componente defectuoso debe ser sustituido por componentes nuevos y originales del fabricante. Utilice exclusivamente piezas de repuesto originales realizadas por el fabricante. Asegúrese de que este tipo de trabajo sea llevado a cabo por especialistas de conformidad con el presente manual de montaje y funcionamiento.

2.13 Limpieza

- Antes de limpiar la estación de trabajo debe desenchufarla siempre de la toma de corriente.
- Limpie el polvo del soporte de la estación de trabajo con un paño seco una vez por semana.
- Limpie el soporte de la estación de trabajo con un paño húmedo y una solución de agua y un detergente suave una vez cada dos semanas.

2.14 Riesgos constantes

Este soporte de la estación de trabajo ha sido construido según el estado actual de la técnica y de conformidad con las normas de seguridad aceptadas. No obstante, su uso puede suponer un riesgo para la salud y seguridad de los usuarios o de terceras personas, conllevar daños al soporte de la estación de trabajo o a otros elementos. El soporte de la estación de trabajo debe utilizarse únicamente:

- para la finalidad prevista;
- si su uso es totalmente seguro.



Antes de proceder al montaje, lea detenidamente la información relativa a la seguridad incluida en la Sección 2.

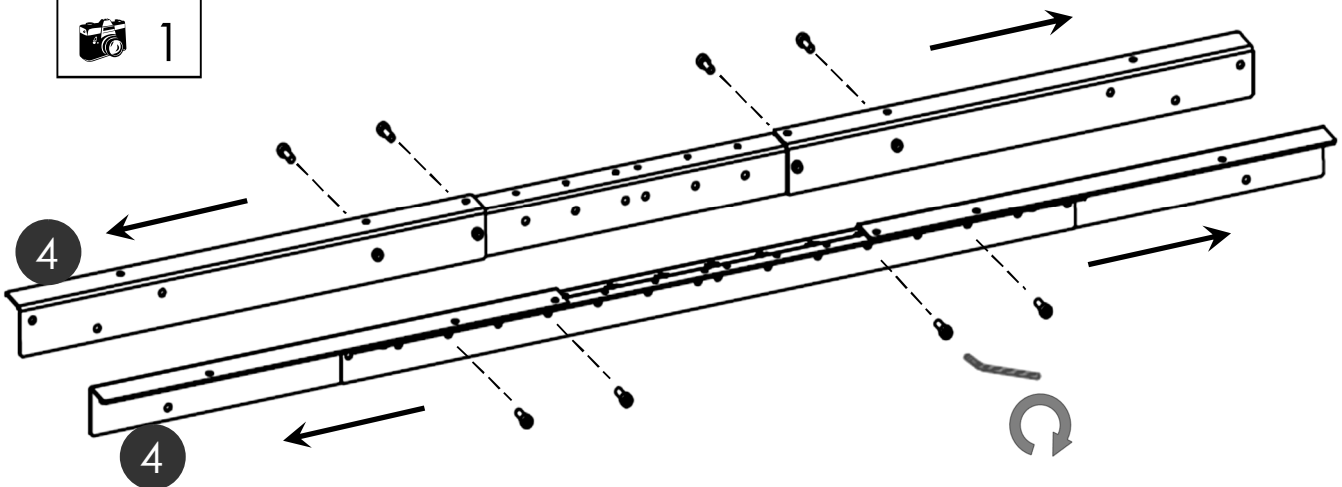


Para evitar que los diferentes componentes y el suelo sufran arañazos, es recomendable utilizar un elemento de protección antes de proceder al montaje. Puede, por ejemplo, desplegar la caja de cartón suministrada y usarla como protección.

3.1 Ajuste de la barra transversal premontada

3.1.1 Tamaños recomendados del tablero

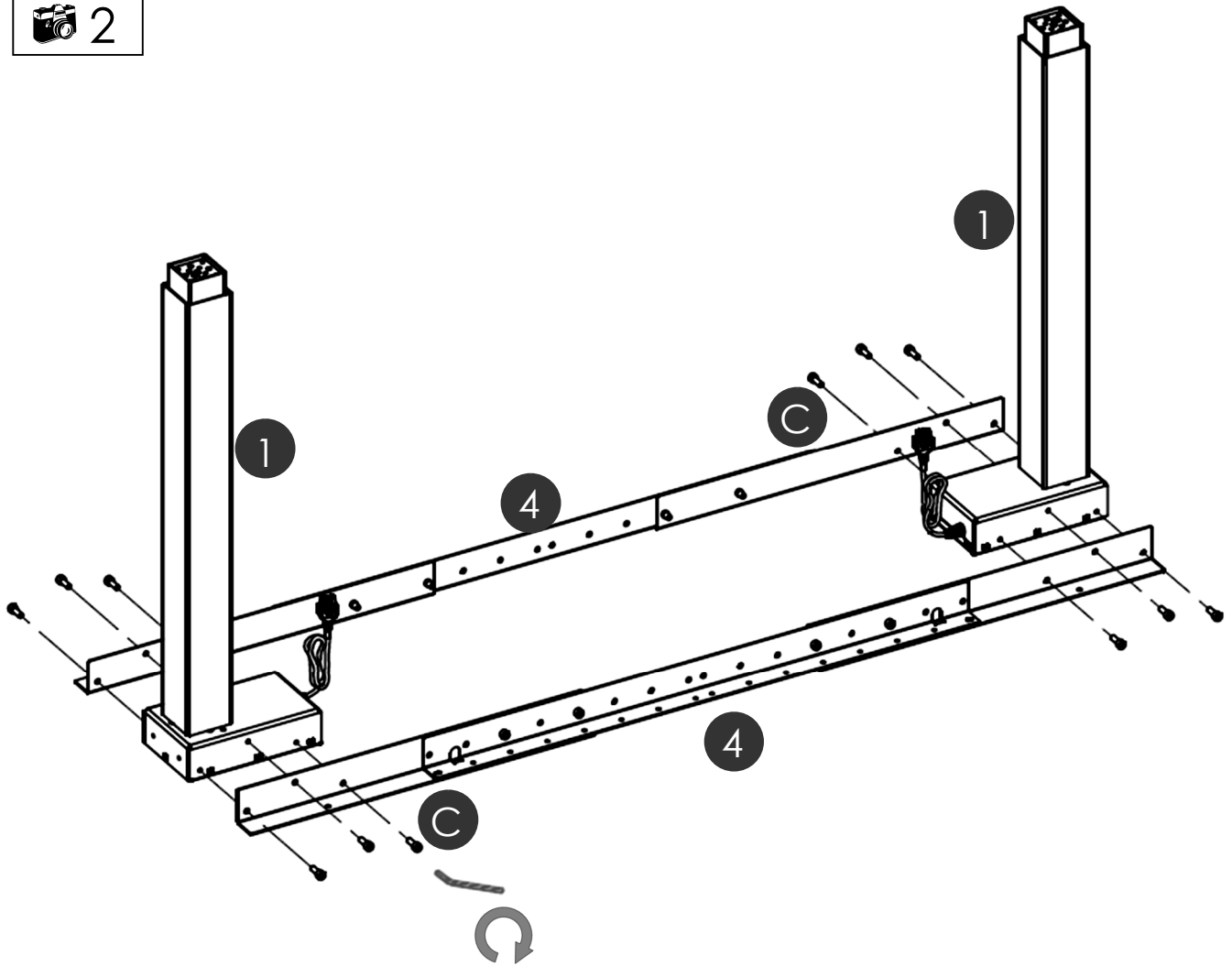
Ajuste del soporte	Anchura / tamaño del tablero	Profundidad / tamaño del tablero	Grosor del tablero
100 cm	110 cm	80 cm	2.5 cm
110 cm	120 cm	80 cm	2.5 cm
120 cm	130 cm	80 cm	2.5 cm
130 cm	140 cm	80 cm	2.5 cm
140 cm	150 cm	80 cm	2.5 cm
150 cm	160 cm	80 cm	2.5 cm



- Afloje el tornillo de tuerca de las barras transversales.
- Ajuste el soporte a la anchura deseada.
- Apriete los tornillos de ajuste en la barra transversal con la llave Allen M3.

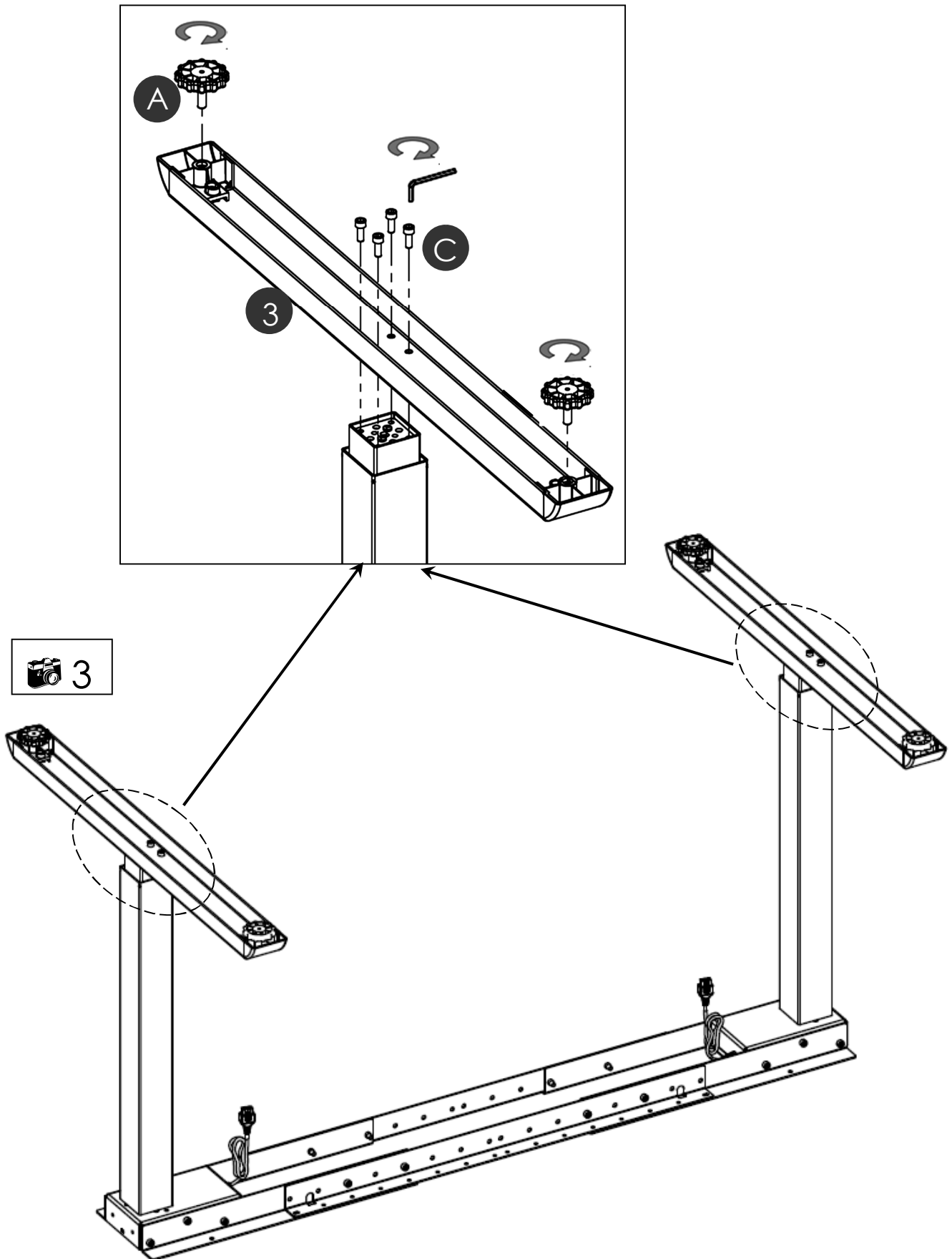
3.2 Montaje de la barra transversal premontada

Español



3.3 Montaje de los pies

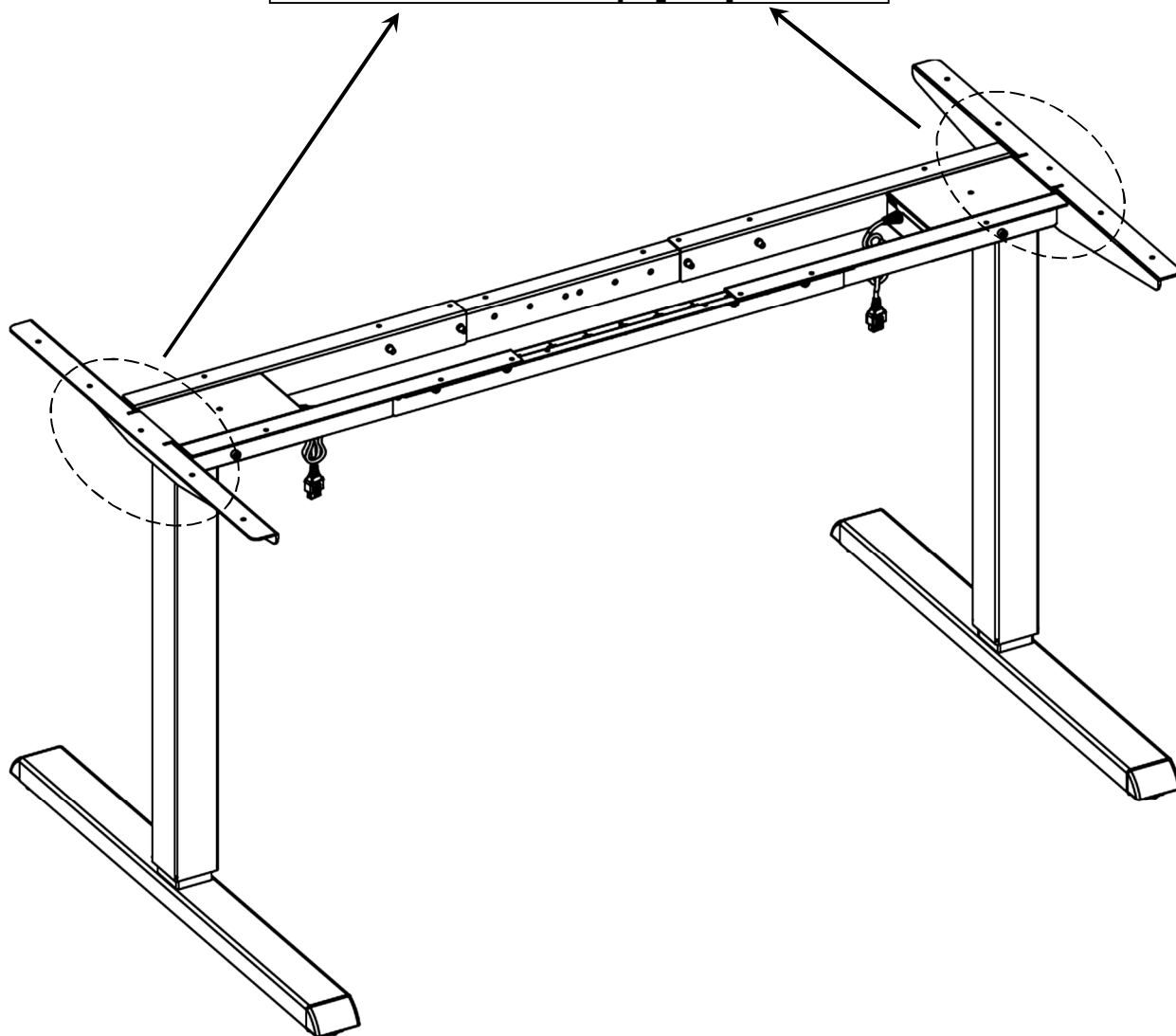
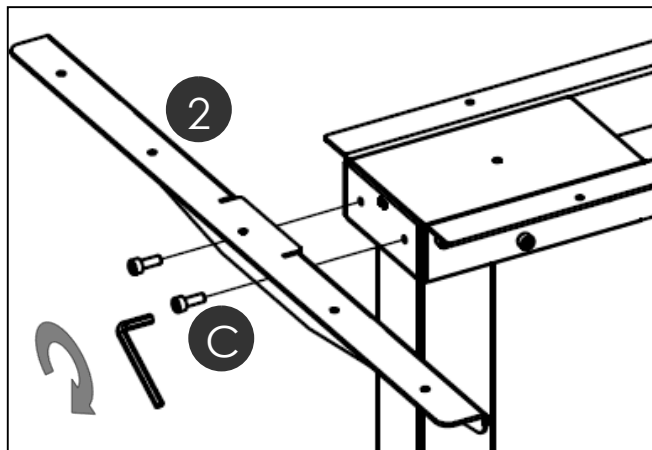
Español



3.4 Montaje del apoyo superior

Español

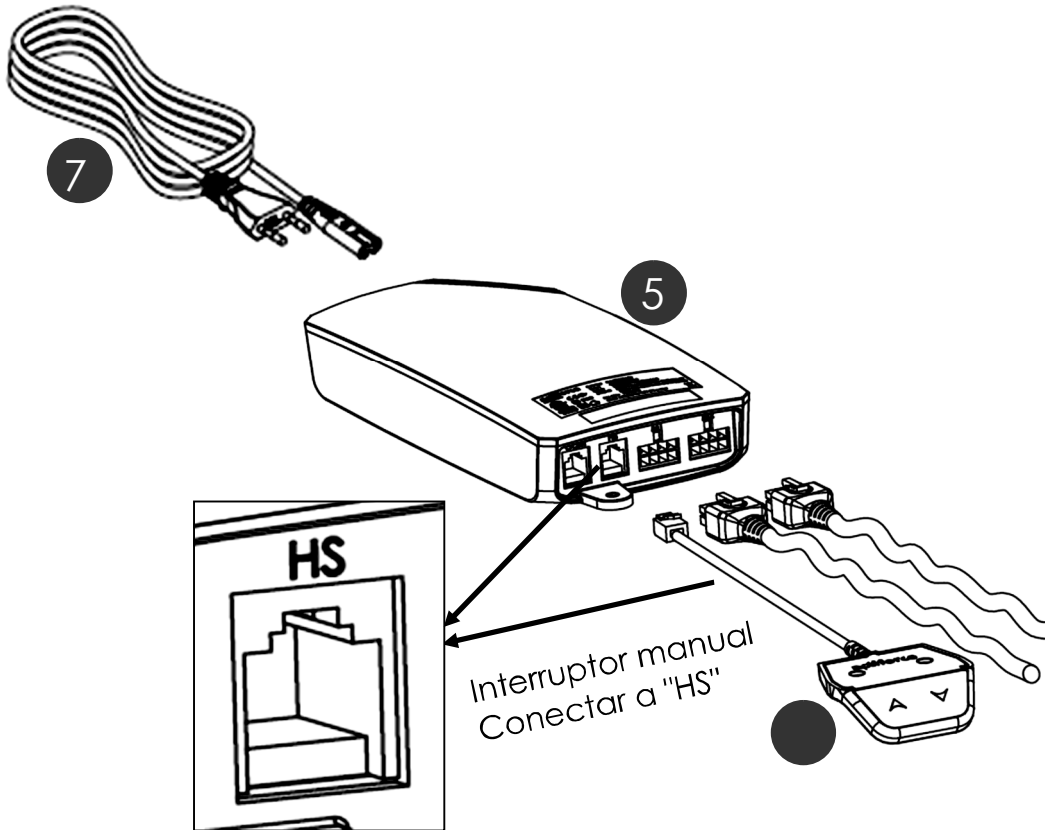
 4



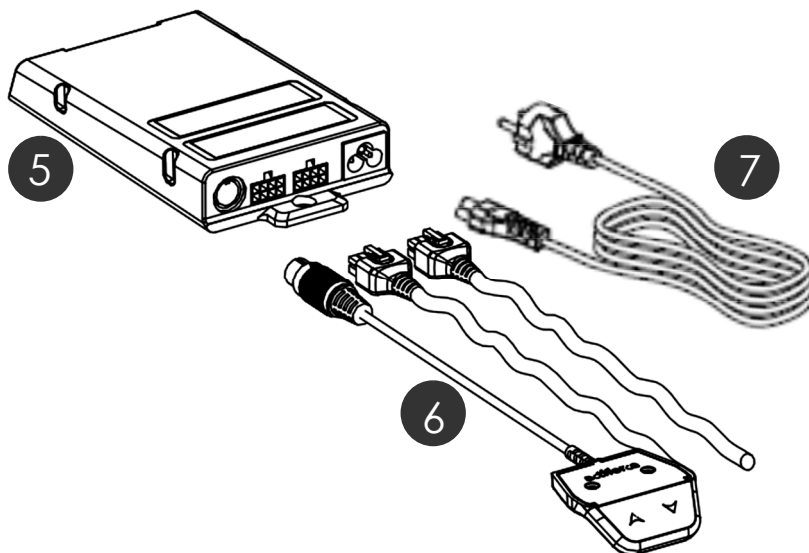
3.5 Conexión de los componentes eléctricos

Español

5



OPCIONAL



Tenga en cuenta que el escritorio que está montando es de altura ajustable. Los cables de los componentes eléctricos deben poder seguir el movimiento de la mesa sin obstáculos.

3.6 Montaje del tablero

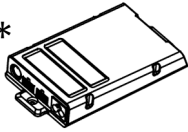
3.7 Montaje de la fuente de alimentación debajo del tablero



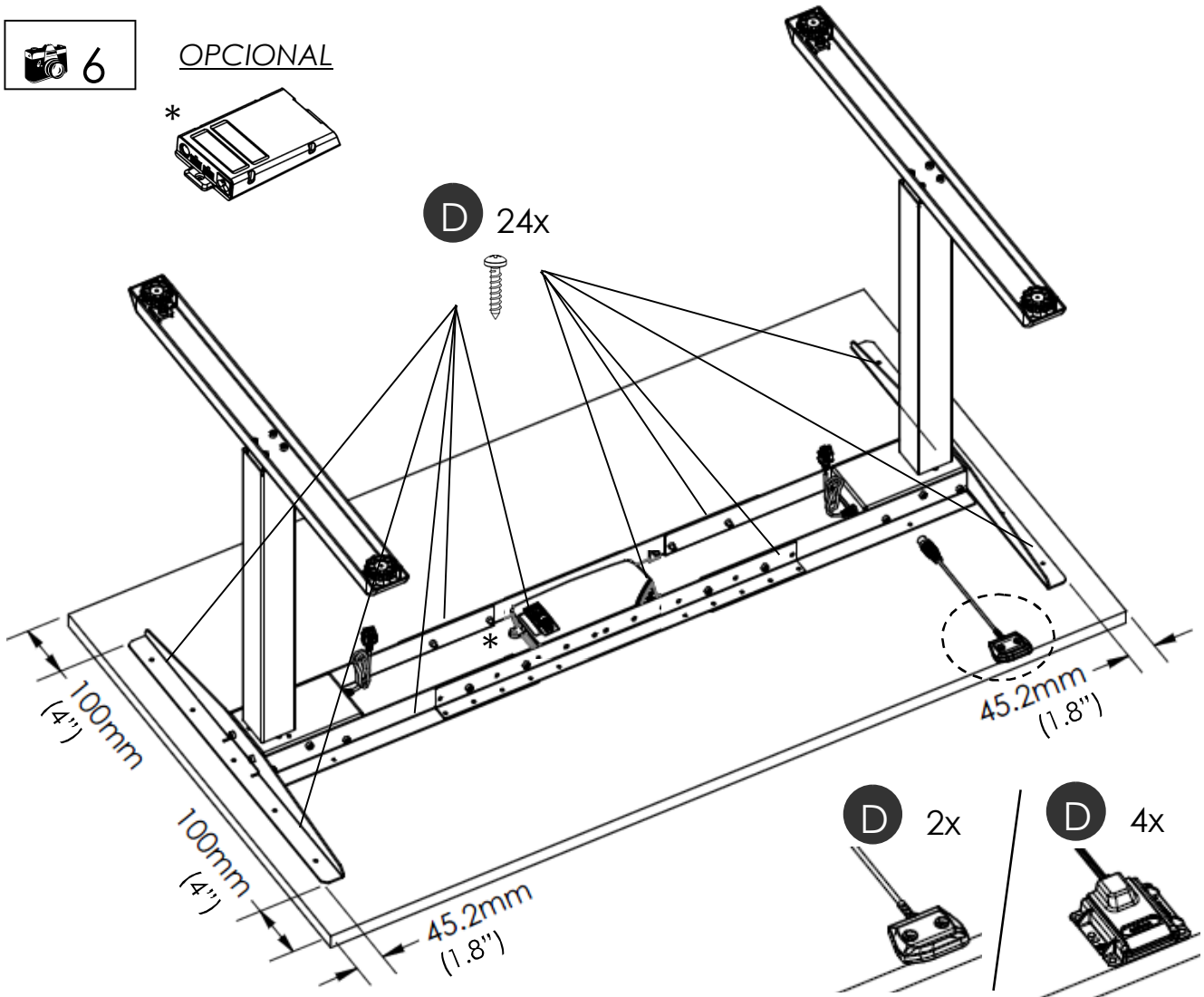
6

OPCIONAL

*

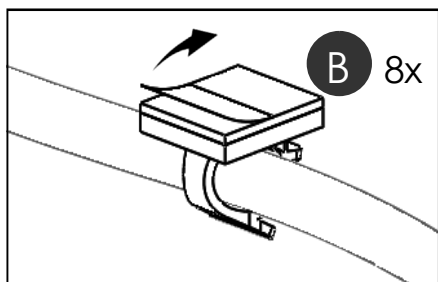


D 24x

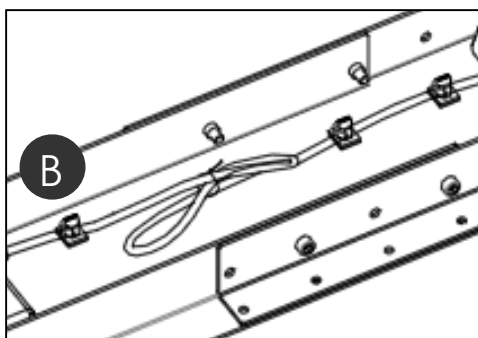


3.8 Montaje del clip para cables

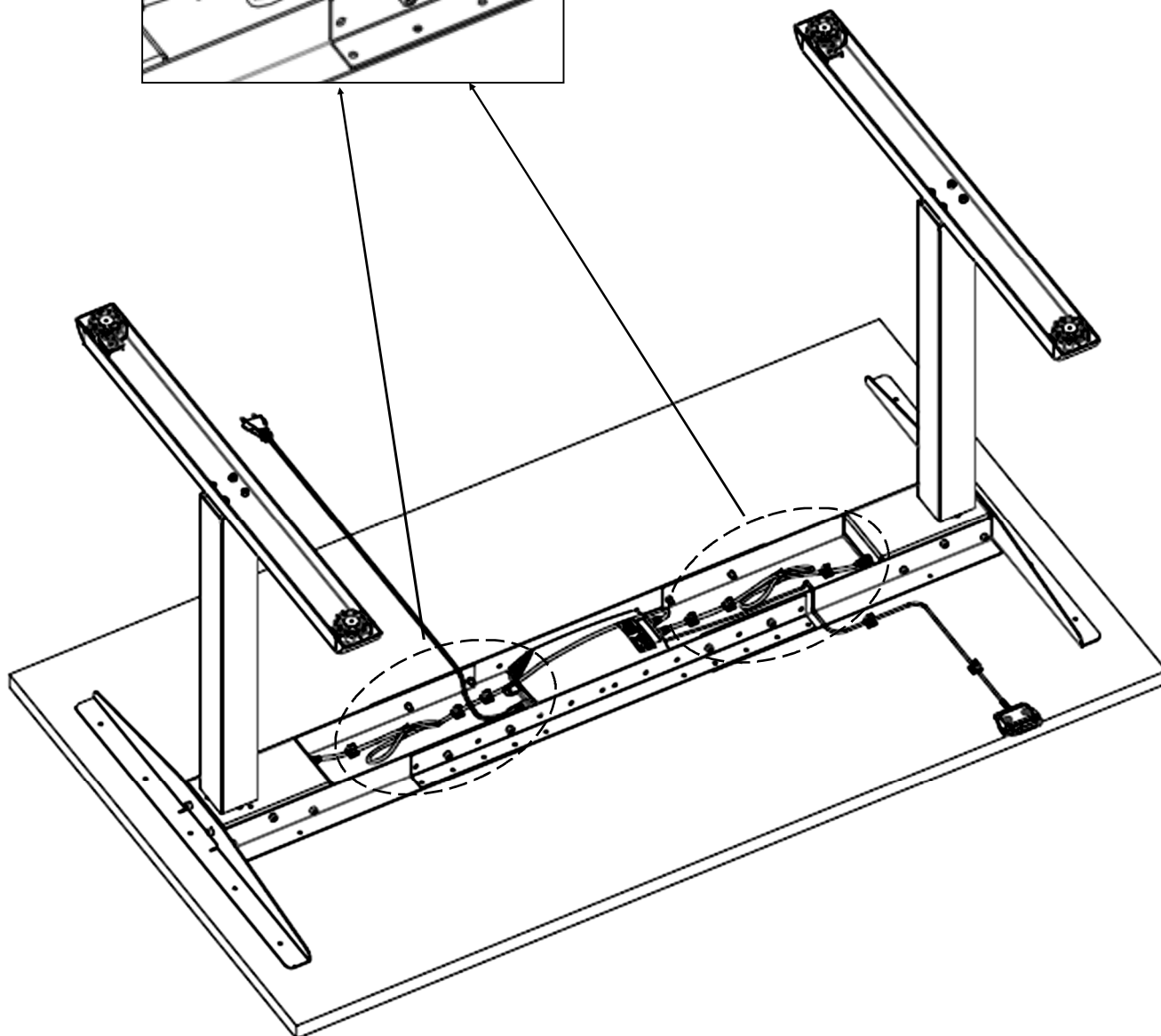
7



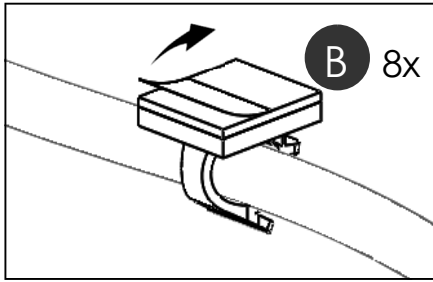
Monte los clips para cables. Despegue el adhesivo del clip y pegue este al tablero. Coloque el cable en cada clip para cables.



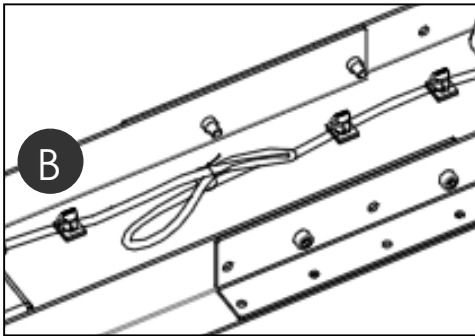
Una los cables sueltos con el clip para cables.



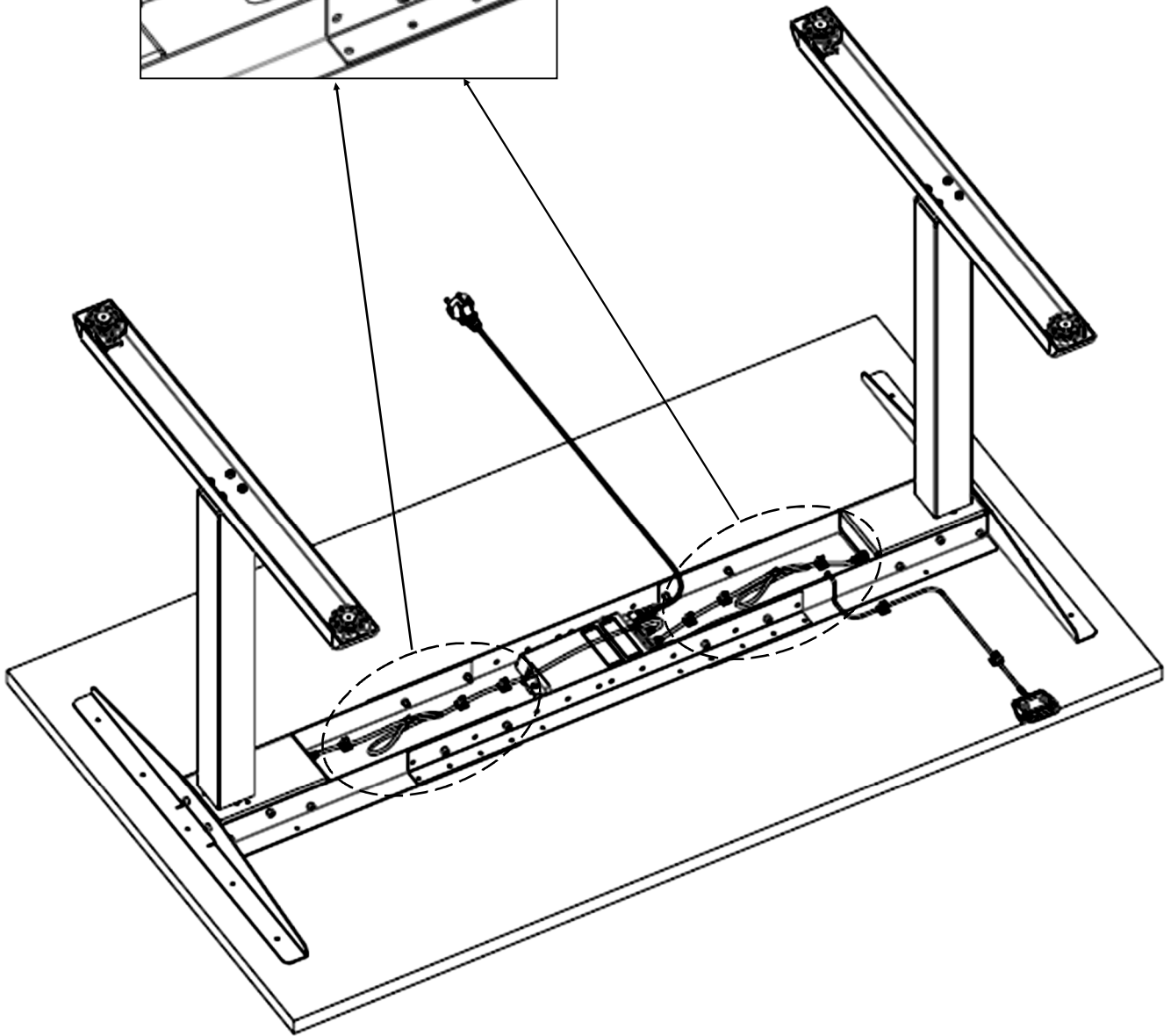
OPCIONAL



Monte los clips para cables. Despegue el adhesivo del clip y pegue este al tablero. Coloque el cable en cada clip para cables.



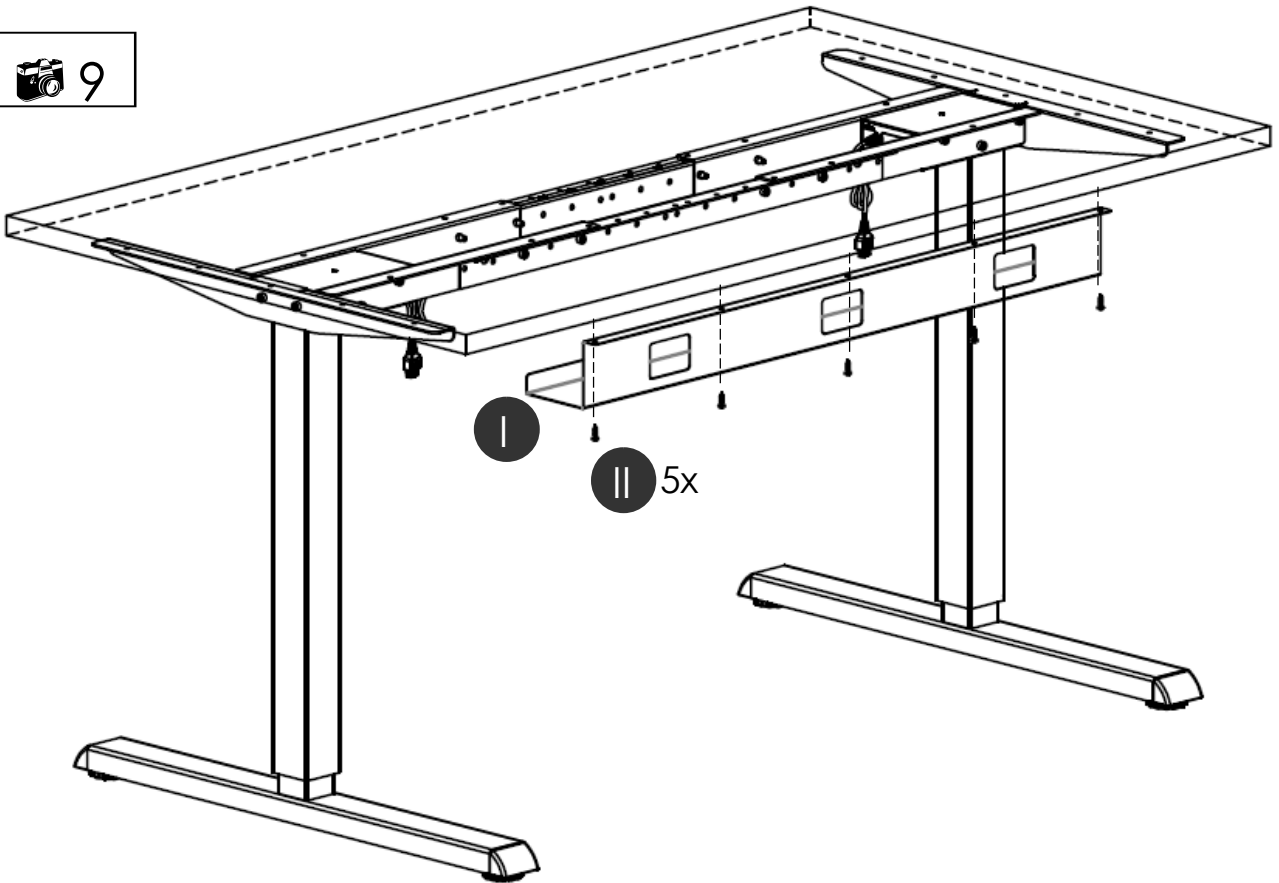
Una los cables sueltos con el clip para cables.



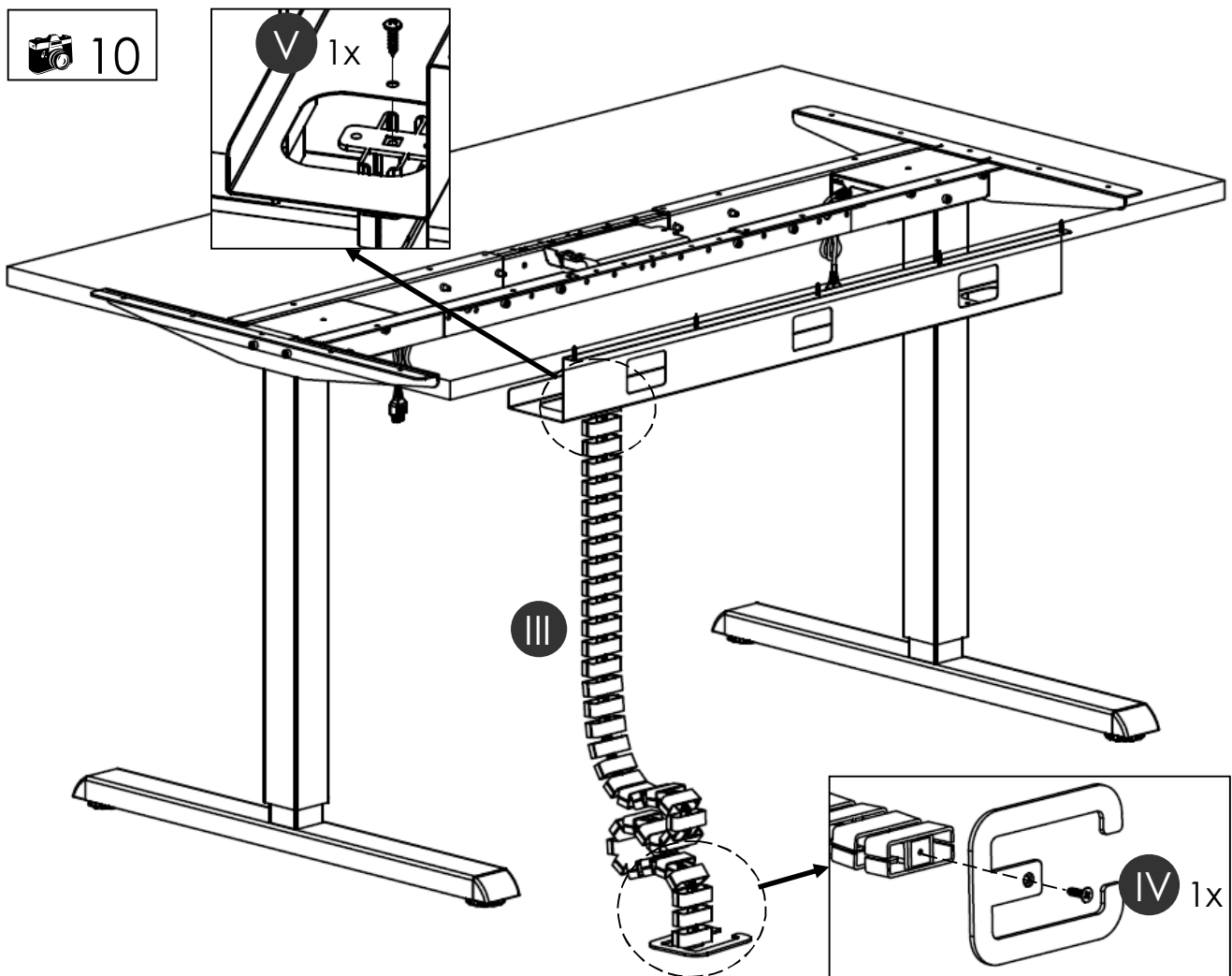
3.9 Montaje de los accesorios opcionales

Español

9

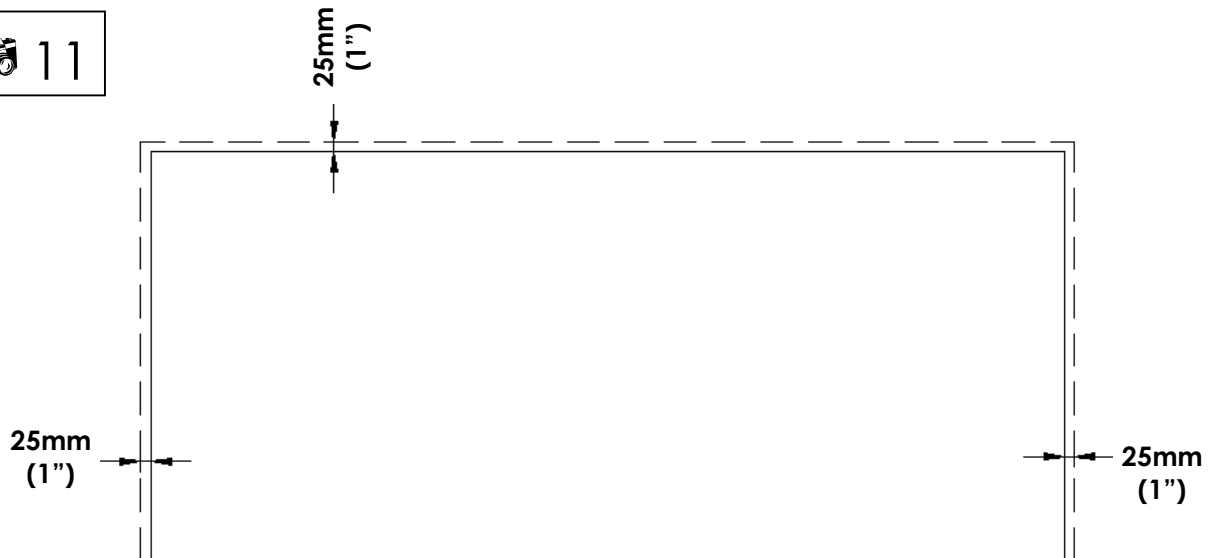


10



3.10 Distancia de 25 mm entre la pared o partes móviles y el tablero

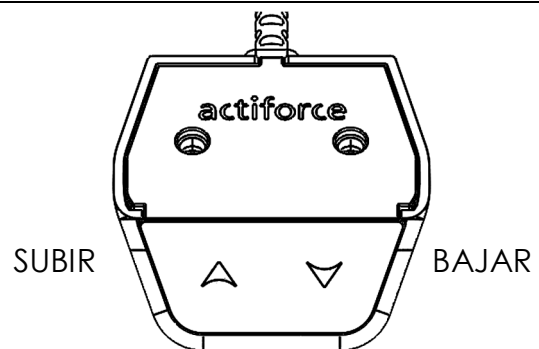
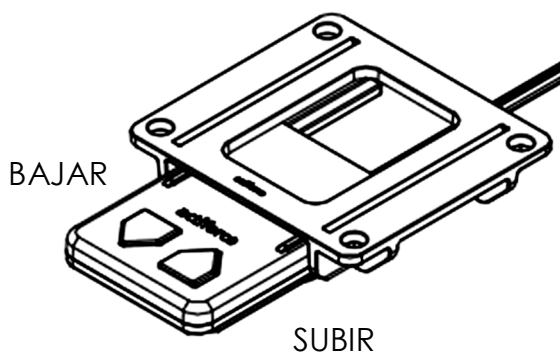
Español



Asegúrese de dejar un distancia mínima de 25 mm (1") entre el borde del tablero y una pared o elementos móviles.

3.11 Prueba del soporte sin tablero

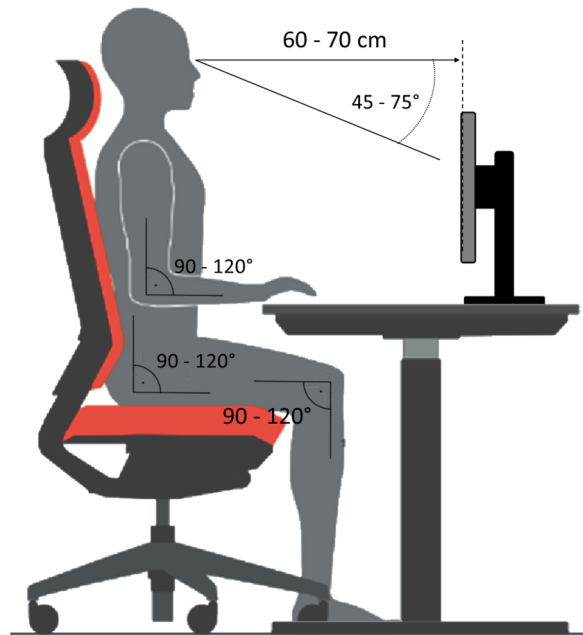
	Asegúrese de que el soporte de la estación de trabajo pueda moverse sin obstáculos y de forma adecuada en todo momento
	En caso de que necesite desconectar cables de los componentes eléctricos, asegúrese siempre de desconectar primero la alimentación.
	En caso de que la función de ajuste de la altura no funcione correctamente, deje de usar el soporte de la estación de trabajo inmediatamente y desconecte la fuente de alimentación. Póngase en contacto con el servicio de atención al cliente para que le asesoren.



Modo de reinicio

La primera vez que conecte el enchufe de la fuente de alimentación a la toma de corriente, el sistema de ajuste de altura solo se puede hacer funcionar en el modo de reinicio (*Reset Mode*). Mientras el modo de reinicio esté habilitado, el sistema solo se puede mover hacia abajo. Para usar el sistema de forma normal, siga los siguientes pasos:

- Mantenga pulsado el botón de bajada, el sistema se desplaza lentamente hacia abajo.
- Mueva el sistema hasta alcanzar la posición más baja posible. Esta posición será utilizada como punto de referencia (punto cero).
- Cuando el sistema haya alcanzado la posición más baja, mantenga el botón pulsado durante un momento. Así se pondrá fin al modo de reinicio.
- Ahora, el sistema puede manejarse con normalidad. Mantenga pulsado los botones de subida o de bajada para colocar el sistema a la altura deseada. El sistema se detiene cuando se dejan de pulsar los botones.



Postura correcta para sentarse

Una postura incorrecta puede causar lesiones en articulaciones, tendones y músculos. Para evitarlo es necesario ajustar correctamente su silla de oficina y su escritorio.

Además de seguir las siguientes recomendaciones, debe evitar siempre una postura incómoda al sentarse. Si nota que alguna de las siguientes recomendaciones hacen que su postura estando sentado o sentada no sea cómoda, simplemente ajuste la silla o el escritorio a sus necesidades.

Silla de oficina

- La altura del asiento debe ajustarse de forma que las rodillas estén en un ángulo de 90 a 120° cuando los pies estén colocados planos sobre el suelo.
- Para sentarse en la postura adecuada, la parte inferior de la espalda debe estar en contacto con el respaldo de la silla. Si es posible, ajuste la profundidad del asiento de forma que el elemento del asiento no ejerza presión en la parte inferior de la pierna.
- Siéntese en posición recta, pero inclínese hacia atrás en una postura relajada. Si es posible, ajuste el apoyo de la zona lumbar de su silla para que se adapte a su altura. Ajuste el respaldo de la silla de forma que empuje ligeramente su cuerpo hacia adelante, pero manteniendo suficiente flexibilidad para que usted tenga libertad de movimiento.
- Si es posible, ajuste la altura de los reposabrazos. Cuando los brazos estén apoyados sobre los reposabrazos, los hombros deberían estar en una postura relajada.

Escritorio

- Ajuste la altura del escritorio después de haber encontrado la postura correcta estando sentado o sentada.
- Los codos deberían formar un ángulo de 90 a 120° cuando los brazos estén apoyados sobre el tablero. El borde del tablero no deberá hacer presión contra los brazos.

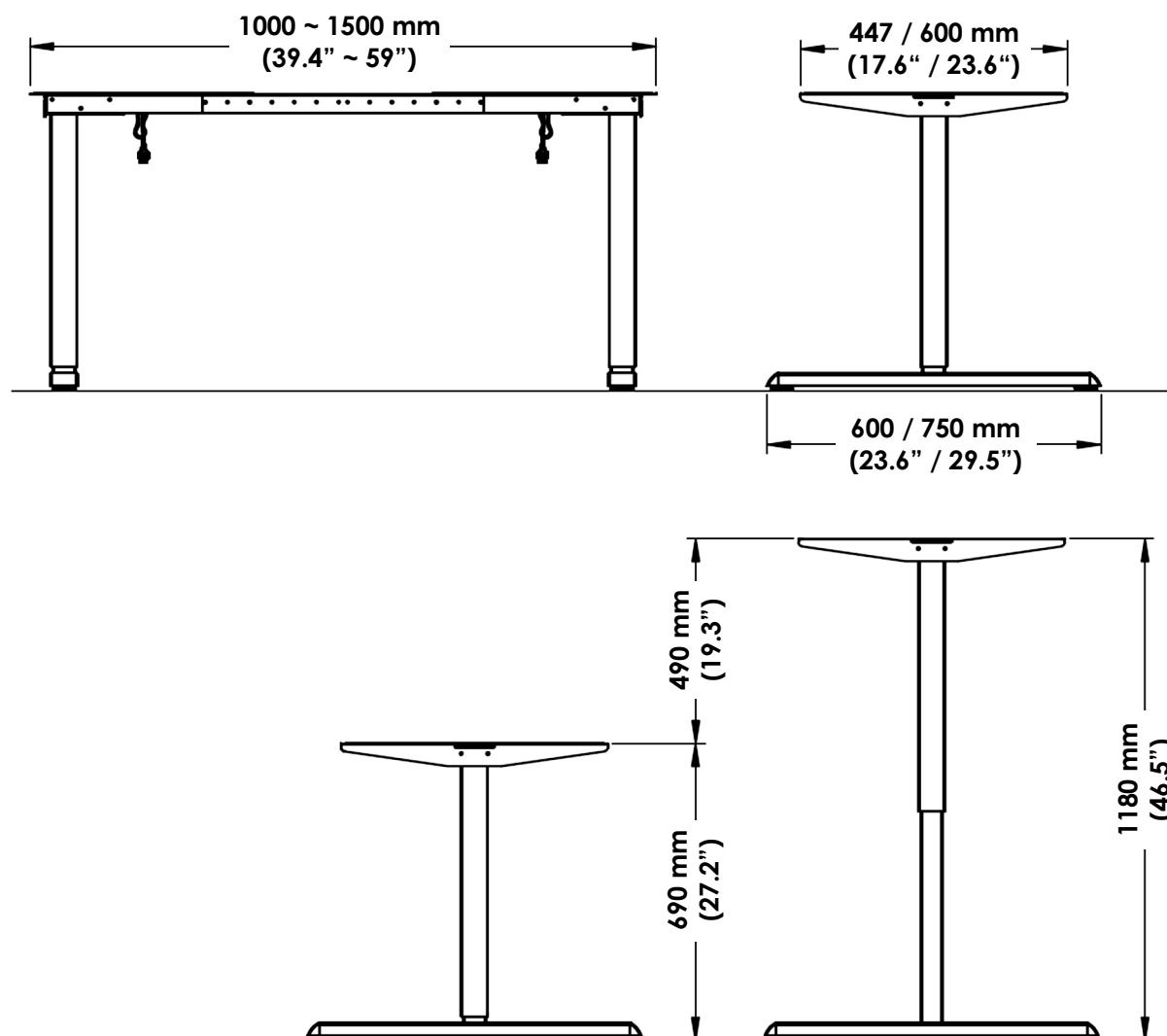
Aparatos sobre el escritorio

- La luz (natural o artificial) que incida sobre el monitor debe llegar a la superficie de la pantalla con un ángulo de 90°.
- La altura del monitor debe ajustarse de tal manera que le permita mirar ligeramente hacia abajo cuando esté centrando la vista en el centro de la pantalla.
- Mantenga una distancia de unos 60 a 70 cm de la pantalla.
- Un teclado plano y estrecho ayuda a que las muñecas estén en una posición relajada.
- **Le rogamos que siga las recomendaciones incluidas en los manuales del resto de sus aparatos (ergonómicos).**

5 Especificaciones técnicas

Versión del manual de montaje	SF-IM0001-0EN-DE-NL-FR-ES
Año de publicación	2020
País de fabricación	Malasia
Sistema	1 fases
Material	Acero, plástico y aluminio
Carrera (máx.)	490mm (19.3")
Carga del soporte (máx.) I. SMART-e-2 II. ControlForce 2	I. 100 kg II. 120kg
Peso del soporte I. SF 300 con apoyo superior de 600mm y pie de 750mm II. SF 300 con apoyo superior de 600mm y pie de 750mm con accesorios opcionales III. SF 300 con apoyo superior de 447mm y pie de 600mm IV. SF 300 con apoyo superior de 447mm y pie de 600mm con accesorios opcionales	I. ± 24 kg II. ± 26 kg III. ± 22.5 kg IV. ± 24.5 kg
Potencia de entrada I. SMART-e-2-actiforce-EU II. SMART-e-2-actiforce-US III. ControlForce 2	II. 220-240Vac, 50-60Hz, 2.5A II. 120Vac, 60Hz, 5A III. 100-240Vac, 50-60Hz, 5.3A
Velocidad del soporte con carga	± 39 mm/s
Ciclo de trabajo	10 % (2 minutos encendido / 18 minutos apagado)
Nivel sonoro	< 50 dB(A)
Temperatura ambiente durante el uso	15 - 30°C
Temperatura ambiente en desuso	10 - 50°C
Humedad durante el uso	<85%
Humedad en desuso	<50%
Tiempo máximo de almacenamiento	-
¡Solo para uso en el interior!	

(* Desviación admisible general = ± 10 mm)



Altura mínima del soporte	690 mm	(27.2")
Altura máxima del soporte	1180 mm	(46.5")
Carrera máxima	490 mm	(19.3")
Anchura del soporte	1000-1500 mm	(39.4" - 59")
Profundidad del soporte	600 / 750 mm	(23.6" / 29.5")
Profundidad mínima del tablero	447 / 600 mm	(17.6" / 23.6")
Carga del soporte	100 / 120 kg	

6 Funcionamiento e indicaciones



Observe las disposiciones de la Sección 2, Información relativa a la seguridad, en la página 7, especialmente:

No deje nunca a niños sin vigilancia cerca del soporte de la estación de trabajo. Los niños pueden no ser conscientes de los peligros que comporta el soporte de la estación de trabajo, por lo que correrían un grave riesgo de sufrir lesiones, incluso con consecuencias fatales.

No sobrepase el tiempo de funcionamiento máximo del soporte de la estación de trabajo. Asegúrese de que hay espacio suficiente para evitar choques en caso de que haya objetos sobre la superficie de trabajo, como por ejemplo ordenadores o equipos periféricos.

6.1 Indicaciones



Abandone inmediatamente las proximidades del soporte de la estación de trabajo si este comienza a moverse de forma espontánea. No intente bajo ninguna circunstancia hacer funcionar el soporte de la estación de trabajo.

Deje de usar el soporte de la estación de trabajo inmediatamente si nota algo fuera de lo habitual (sonidos extraños, humo, etc.)

Asegúrese de que el soporte de la estación de trabajo sea reparado por especialistas. Absténgase de usar el soporte de la estación de trabajo hasta que haya sido reparado con éxito.

Deje de usar el soporte de la estación de trabajo inmediatamente si los dispositivos de seguridad no funcionan como es debido.

7 Solución de Problemas

Problema	Posible causa	Solución
El ajuste de la altura no funciona.	Los cables o los conectores están defectuosos.	Controle si los cables presentan daños y cámbielos en caso necesario. ¿Está el suministro eléctrico en orden?
El ajuste de la altura no funciona.	Si se han controlado los cables y los conectores, una posible causa podría ser un interruptor de subida/bajada defectuoso.	Sustituir el interruptor de subida/bajada.
El ajuste de la altura no funciona.	Fallo en la fuente de alimentación	Reiniciar el sistema.

Si no se ha podido solucionar el problema o el problema no está incluido en esta lista, póngase en contacto con el servicio de atención al cliente para obtener ayuda.

8 Servicio de atención al cliente

Asegúrese de tener a mano los datos del soporte de la estación de trabajo cuando se ponga en contacto con el servicio de atención al cliente.

Minorista:

9 Fabricante

Actiforce International B.V.

Het Steenland 20
3751 LA Bunschoten-Spakenburg
Países Bajos

+31 (0)33 4600120
www.actiforce.com
info.holland@actiforce.com

10 Reciclaje

10.1 Retirar la estación de trabajo del servicio

- Desenchufe de la toma de corriente.

10.2 Desmantelamiento de la estación de trabajo

- En caso de desmontaje, le rogamos seguir las instrucciones del manual en el orden inverso o ponerse en contacto con el servicio de atención al cliente.

10.3 Reciclaje

- Le rogamos que separe todas las partes de conformidad con el tipo de material. ¡Observe las normativas del país!

11 Declaración de conformidad UE en el anexo II A

Español

Por la presente declaramos que el aparato detallado a continuación cumple con las directivas de la UE pertinentes (en especial con las directivas mencionadas más adelante) y que la producción en serie se realizará de acuerdo con las mismas.

Descripción del artículo: **Steelforce 300**

Número de artículo: **SF30000010******
SF30000020****
SF30001011****
SF30001021****

*El 1.º símbolo ^{**1} puede ser 0 (Pro-Basic), 1 (Pro-Basic (RJ11)), 2 (Eco-Basic Slide (RJ11)) or 3 (Eco-Basic Slide (DIN)).*

*El 2.º símbolo ^{**1} puede ser 0 (Smart-2-EU), 1 (Smart-2-US) or 2 (Controlforce 2).*

*El 3.º símbolo ^{**1} puede ser 11, 18, 29, 30, 78, 82, 83, 90, 94, etc.*

*El 4.º símbolo ^{**1} puede ser UE, NL, DE, DK, US, GB, WE, MY, CH, etc.*

Modelo: **Sistema de husillo elevador (Spindle Lift)**

Anchura : 1000 mm - 1500 mm

Altura : 690 mm - 1180 mm

Profundidad : 600 / 750 mm

Datos técnicos:

Sistema : 1 fases, electromotriz

Material : Acero, plástico y aluminio

Carga máx. : 80,0 kg (Smart)
100,0 kg (ControlForce 2)

Directivas EU pertinentes :

Compatibilidad electromagnética (2014/30/CE),

Directiva de Baja Tensión (2006/95/CE; a partir del 20-04-2016 este número 2014/35/UE)

Normas UNE-EN armonizadas y normas generales

UL962

IEC 60335-1

ANSI/BIFMA X5.5

El artículo cumple con las normas especificadas a continuación, necesarias para obtener la marca EC:

EN 61000-3-2

EN 61000-3-3

EN 55014-1

EN 55014-2

EN 62233

EN 60335-1

Fabricante **Actiforce International BV**
Het Steenland 20
3751 LA Bunschoten-Spakenburg

Importador / distribuidor

Países Bajos