

## EXPRESS COLLECTION – RAUVOLET Lock

### Lock : Type Latch-Lock



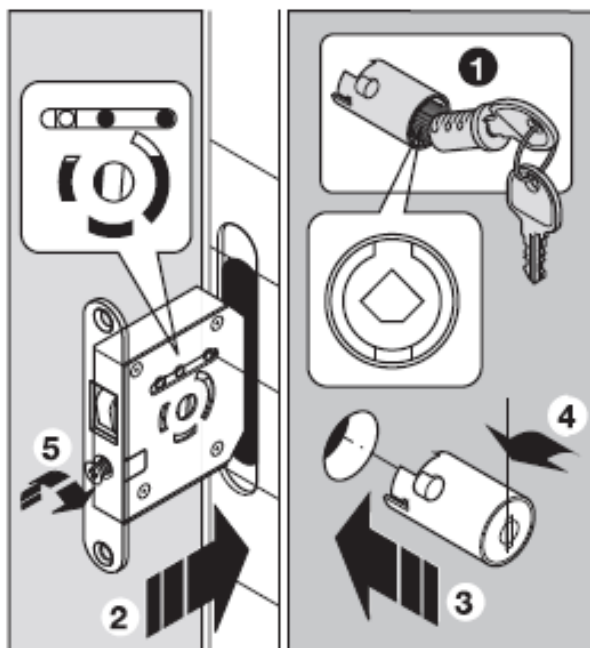
### ARTICLES

20 locks with the same key      N° 17006951001  
20 locks with different keys      N° 17006941001

### PREPARATION

You must do:  
Mill an oblong hole (56x10)  
Drill two holes for the two screws in order to fix the lock.  
Drill a hole for the cylinder Ø 18,9mm

### MOUNTING



- 1) Assemble the cylinder in his sheath.
- 2) Mounting and screw the block on the slat
- 3) Mounting the cylinder in the Ø 18,9mm
- 4) Turn the cylinder on left (1/8 turn )
- 5) Fasten the cylinder on the block with the screw.  
You only need a hand tightning.

**Do not force**

### What is in the cartridge

One article is:

- 20 Locks
- 20 opposite board (13)
- 20 Cylinders (9)
- 40 Key with REHAU mark
- 1 Passe partout key
- 80 HOSPA screw 5/3,0x13
- 20 Rosettes

### Packaging :

1. PE Bags for individual packagng, including the accessories ( Screws, Opposite board, keys ,..)
2. 20 bags PE per cartridge

### DRAWINGS

