

# POWER FRAME

DE Montageanleitung

ES Instrucciones de montaje

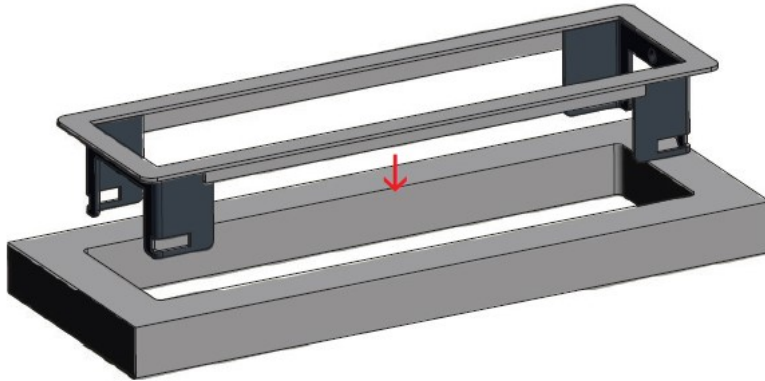
EN Mounting instructions

RO Instrucțiuni de montare

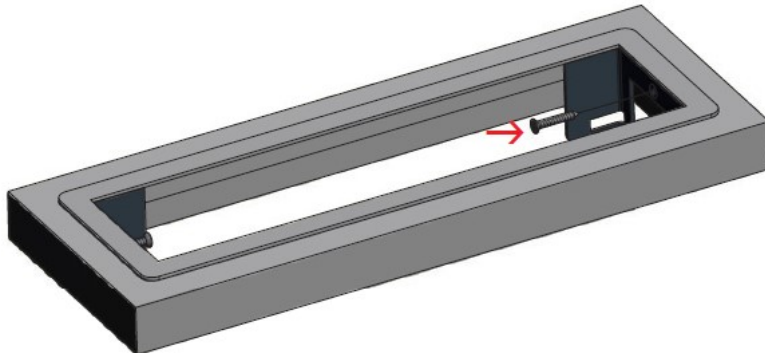
FR Instructions de montage

IT Istruzioni per l'installazione

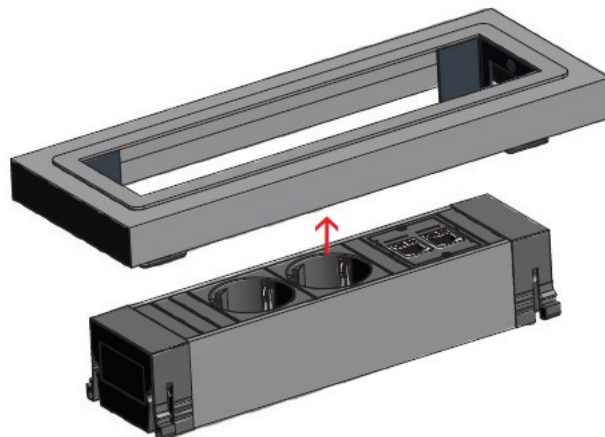
1.

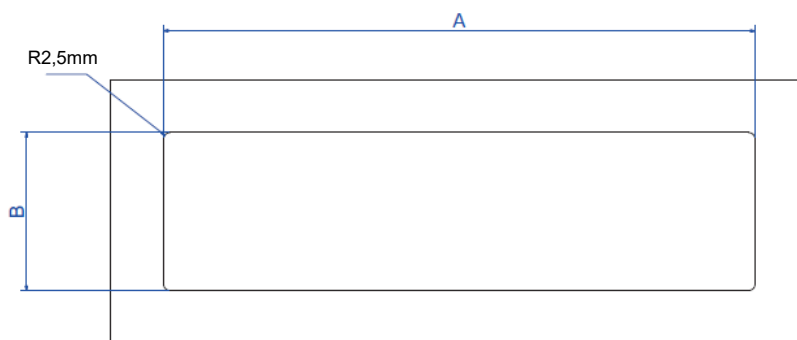
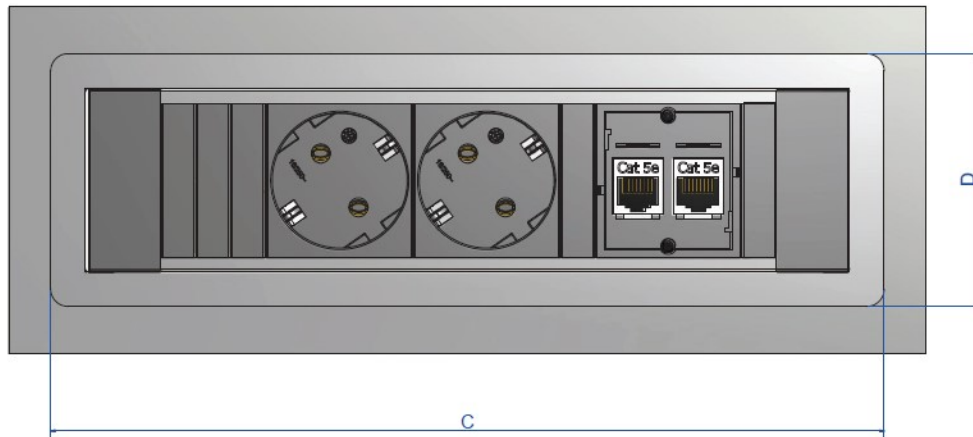


2.



3.





## Tisch-Ausschnittmaße / Table cut-out dimensions

	A	B	C	D
<b>S</b>	225,00mm	60,00mm	241,00mm	73,00mm
M	267,50mm	60,00mm	283,50mm	73,00mm
L	352,50mm	60,00mm	368,50mm	73,00mm

Ausschnitt für flächenbündige  
Version dem Produkt anpassen  
Eckenradius 5mm

Adapt table section to product for  
flush-mounted version  
radius 5mm