



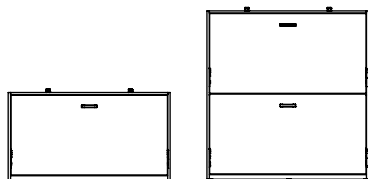
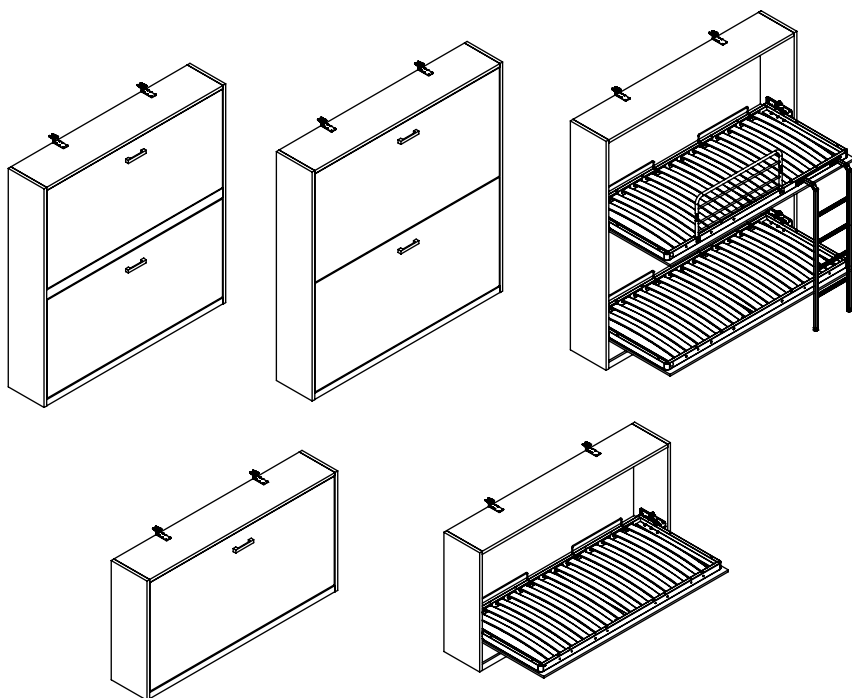
Advanced Technology for Beds

Mod. SILVY NEW21

MANUALE E ISTRUZIONI DI MONTAGGIO
USER'S GUIDE AND ASSEMBLY INSTRUCTIONS

Ribalta orizzontale singola-Castello orizzontale
Hidway Horizontal single bed-Bunk bed

ENGLISH ITALIANO



820X1940 mm
920X1940 mm
920X2040 mm

MADE IN ITALY



USER GUIDE

“ORIGINAL INSTRUCTIONS”



Index

1. General description.....	9
Use.....	9
Product description.....	9
Guarantee.....	9
2. Safety.....	10
Safety standard.....	10
Residual risk areas.....	11
Labels.....	11
3. Use of the bed system horizontal hide-away and functioning.....	12
General data.....	12
Technical features	12
4. Maintenance - cleaning-lubrification - disposal.....	13
Maintenance.....	13
Cleaning and lubrication.....	13
Disposal.....	13
Assembling instructions	14

IN ACCORDANCE WITH STANDARD 2001 /95/CE UNI EN 1129-1



ALL INSTRUCTIONS OF THIS BOOKLET
SHALL BE CAREFULLY READ!!!



1. General description

Use

The manual horizontal hideaway bed system allows to bring the bedspring from its horizontal position inside the cabinet in a horizontal position, to be used as a bed, in a absolutely quick and easy way, with very low efforts. **Before using the hideaway bed, the user must be sure of its good condition and the good condition of its accessories.**

Before using the hideaway bed, the user must make sure that on the sleeping surface there is only the mattress and bed linens.

Product description

The bed system is composed by following items:

- left and right metal plates with epoxy powder coating
- a slatted bedspring
- hardware fittings accessory for bunk bed

Guarantee

PESSOTTO RETI warrants its products for a period of 2 years from the date of purchase.

This warranty excludes commercial components. These parts are guaranteed by their original manufacturer.

The guarantee is valid only for appliances that have been installed and used correctly by following all the guidelines of this brief and the “Fixing instructions”. Responsibility for any misuse is disclaimed.

This product's use is very simple: **before installing and using it, it's mandatory to care-fully read the booklet.** Herein you'll find all correct advices for an optimal installation, use and maintenance of the product.

It's important that the booklet is kept together with the product.

This product has been developed for a non-professional use by private persons in households. Its use is not intended to be used by people (children included) who's physical, sensorial or mental capacities are weak, or do not have any experience or knowledge, unless they have been taught by a person that's responsible for their sa-fety. Children shall be surveyed and are not allowed to play with the device.

The installation and/or adjustments of the product shall be carried out in a workmanlike way only by qualified installers, in accordance with all the installation rules of this brief.

Remarks: No liability is assumed by PESSOTTO RETI in failure to comply with the given advices.

2 . Safety

Safety standard

Compliance with the safety standards puts the user in terms of working productively, without danger of harm to himself and to others.

Compliance with the safety standards puts the user in terms of working productively, without danger of harm to himself and to others.



It's forbidden to use the product without any mattress on the bedspring surface.



It's forbidden to use the bed for a different use, than the one described previously in section USE.



Non correct installation or not made by specialized craftsmen, may cause detachments, breaking or dysfonctions with possible damages to persons, things or animals. All given instructions have to be strictly observed.

Before starting to use the product the users shall be aware of its functions and its technical features, learnt through an accurate and complete reading of the present user's guide.

Tampering or replacement of bed parts that are not authorized by Pessotto Reti, are not allowed.

The use of accessories or spare parts other than those recommended by the supplier, present a non proper and hazardous use of the product.

Any modification of the product not expressly approved by the company Pessotto Reti releases the company from any civil or penal liability.

It's strictly forbidden to remove any safety device and protection (labels)

on the set; periodically check the incidental position on the mechanism of blankets or else.



Before starting any maintenance, repair work or cleaning the operator must have read and understood all technical information contained in this guide.

Any maintenance and repair shall be performed by qualified personnel only.



WARNING !!!

Never place the product near any heat sources.

Position and lock the bed system to be maintained clear of objects that may hinder its movement.

The instructions and rules contained in this manual must be observed at all times.

Residual risk areas

In some areas of the product there are some residual risks that couldn't be avoided in designing.

Each user has to be aware of the residual risks of this product in order to avoid possible accidents.

These dangers are listed below:



1)HAZARDS OF CRUSHING

While moving the bedspring there are residual risks of crushing hands between the moving parts of the mechanism and the fixed structure of the bed.

2)MAKE SURE that the area of the bedspring or on the bedspring itself there are no people, animals or things that could collide with its movement.

PLACING OF LABELS


On the product following safety or identification labels could be placed:



The labels are to inform the users of possible risks during mechanism's motion.



No stickers or plates shall be removed, tampered or destroyed.

POSITION	LABEL	DESCRIPTION
On the bed frame in handling		Caution: hand crushing

3. Use of the horizontal hideaway bed and its function

General

The horizontal manual hideaway bed system has been developed by keeping in mind to have an extra bed, according to the needs, in a absolutely quick way, avoiding all unju-stified efforts of the user.

MANUAL MECHANISM

The manual hideaway bed's movement happens by means of two gas springs put on the sides of the structure, and recline the bedspring, subsequently a stop prevents it from returning in the vertical position (pag.48).

technical features

TECHNICAL FEATURES

BEDSPRING SIZE	820x1940	920x1940	920x2040
bedspring weight	23Kg	23,6Kg	24,5Kg
mattress average weight	14,5Kg	17,5Kg	19Kg
Front panel weight	21Kg	22,5Kg	24,5Kg
internal size of the single bed horizontal cabinet	1000x1980x380mm	1100x1980x380mm	1100x2080x380mm
Internal size of the bedbunk cabinet	2065x1980x380mm	2165x1980x380mm	2165x2080x380mm

4. MAINTENANCE - CLEANING - LUBRIFICATION - DISPOSAL

MAINTENANCE

Make periodical check of all screwed on parts, including also the steadiness of the wall fixation, by checking that no elements are lose, folded, damaged or missing

CLEANING AND LUBRICATION

The cleaning of all metal parts shall be made with a humid sponge or cloth.

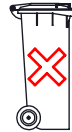
Don't use any solvents or abrasive materials.

The lubrication of moving parts must only be carried out by qualified personnel.

DISPOSAL

The different parts shall be disposed in special containers in accordance with the ruling standards.

DO NOT DUMP.



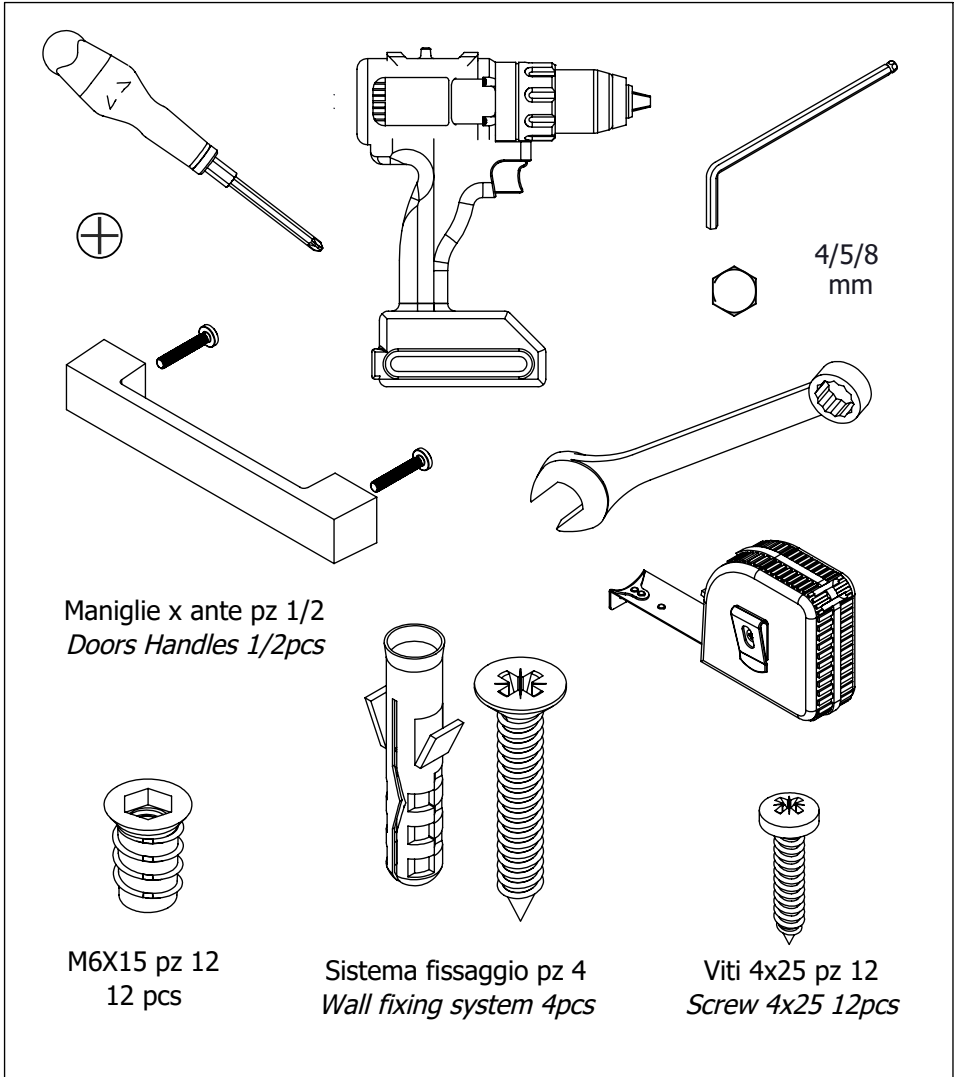


IMPORTANTE: Il montaggio deve essere eseguito da personale esperto e qualificato

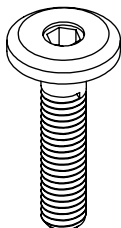
MANDATORY: Assembling shall be carried out by skilled and qualified staff only



MATERIALI E ATTREZZATURE NON FORNITI
MATERIALS AND TOOLS NOT PROVIDED



Elementi in lamiera saldata. Finiture verniciato a polveri epossidiche.
Elements in welded sheet metal. Finishes in epoxy powders.



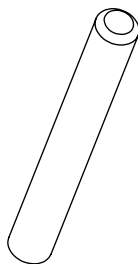
A
M6X30 pz 6
6 pcs



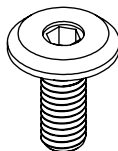
B
M6 pz 6
6 pcs



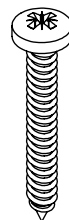
C
 $\varnothing 6/24$ pz 6
6 pcs



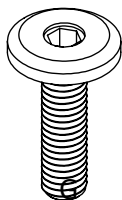
D
 $\varnothing X50$ pz 2
2 pcs



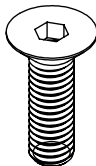
E
M6X12 pz 12
12 pcs



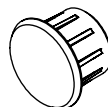
F
TC4X25 pz 5
5 pcs



G
M6X20 pz 2
2 pcs

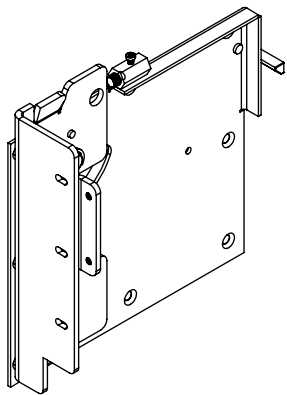


H
M6X20 pz 16
16 pcs

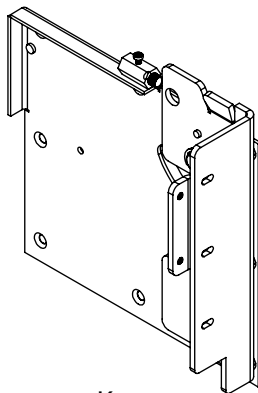


I
Copriforo $\varnothing 10$ pz 12
Hole Cover $\varnothing 10$ 12 pc

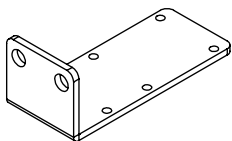
**COMPONENTI DEL KIT / KIT COMPONENTS
FORNITO PROVIDED**



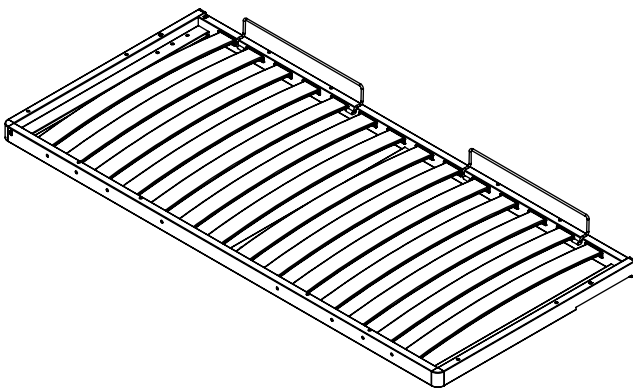
J
Meccanismo SX pz 1
LH mechanism 1 pc



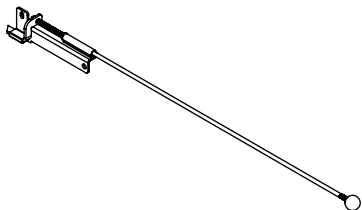
K
Meccanismo DX pz 1
RH mechanism 1 pc



L
Staffe pz 2
Brackets 2 pcs

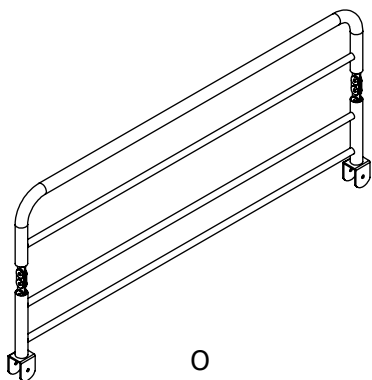
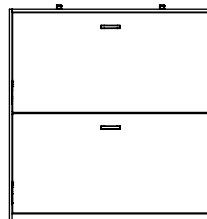
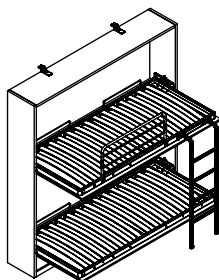
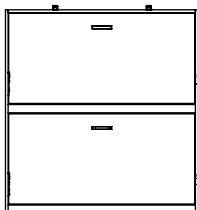


N
Rete pz 1
Bedspring 1 pc

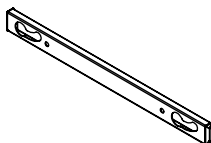


M
Sicura antichiusura pz 1
Safety hook 1 pc

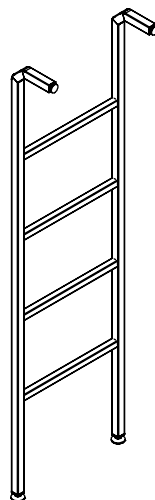
**COMPONENTI DEL KIT CASTELLO / BUNK BED KIT COMPONENTS
FORNITI PROVIDED**



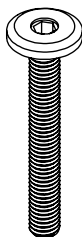
O
Ptotezione pz 1
Safety rail 1 pc



P
Staffa x scaletta pz 1
Ladder bracket 1 pc



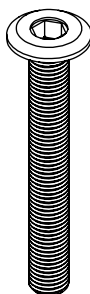
Q
Scaletta pz 1
Ladder 1 pc



R
M6x45 pz 2
M6x45 2 pcs



S
M6 pz 2
M6 2 pcs



T
M8x60 pz 2
Screw M8x60 2 pcs



U
M8 pz 2
M8 2 pcs



W
Ø 8/24 pz 2
Ø 8/24 2 pcs

 **KIT**

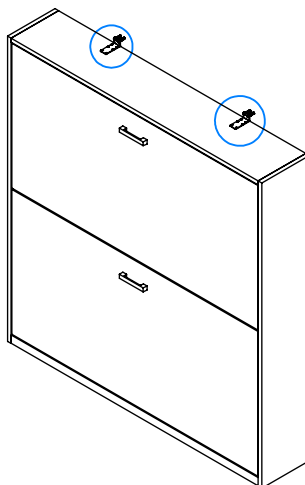
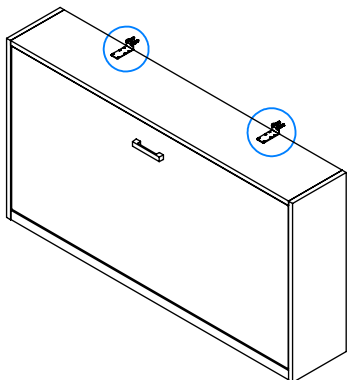
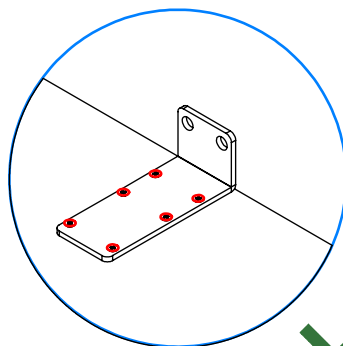
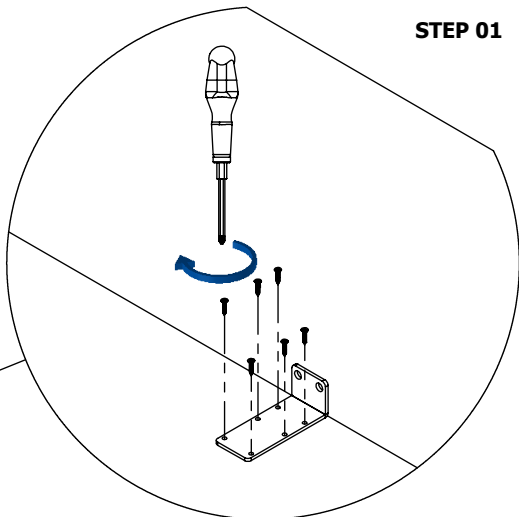
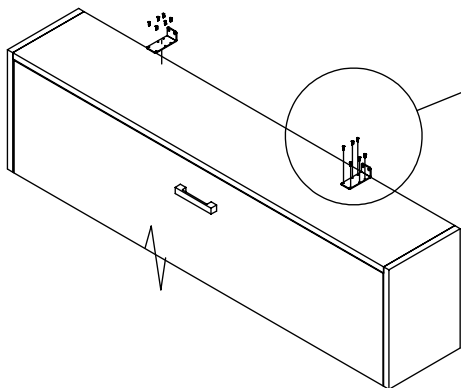
 x12

4x25

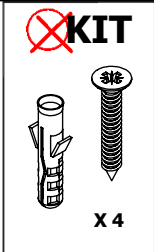
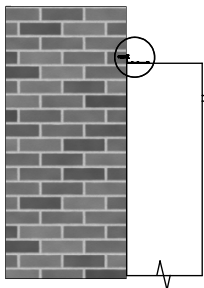
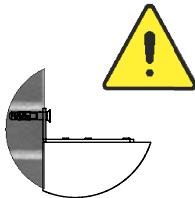
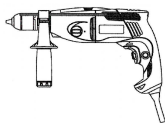


VITI NON FORNITE
NOT PROVIDED SCREW

STEP 01



STEP 02

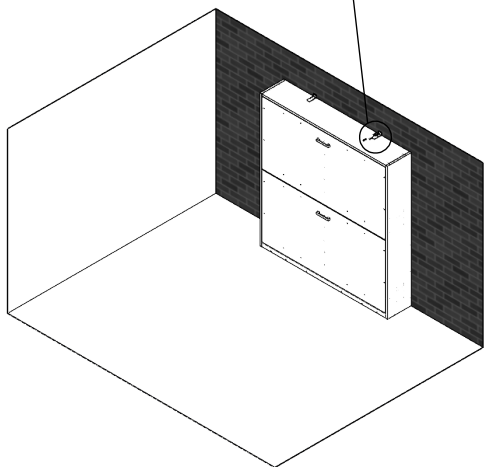
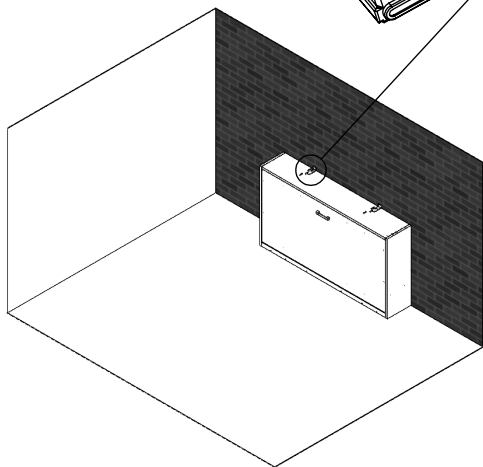
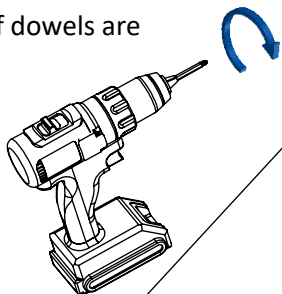
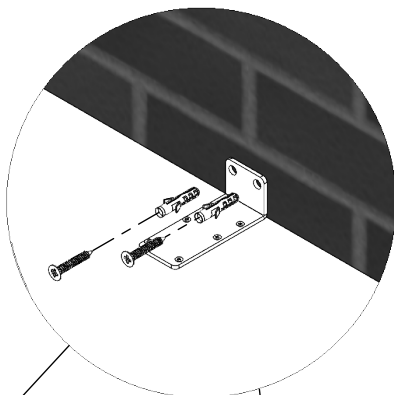


OBBLIGATORIO

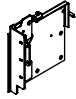
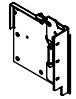

NOTE: l'accoppiamento vite, tassello, muro deve essere superiore a **200 Newton** di trazione su singola vite/punto di fissaggio. Accertarsi con il proprio fornitore la tipologia di tasselli da usare.

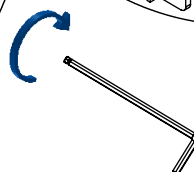
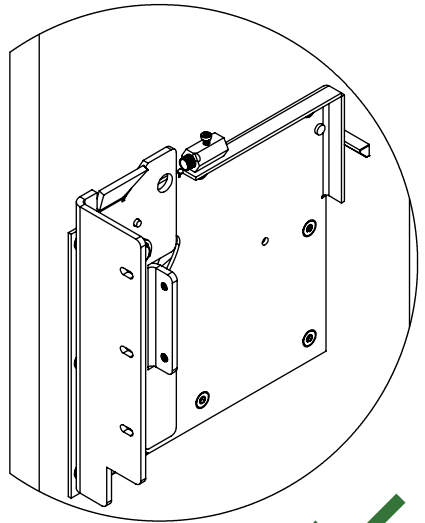
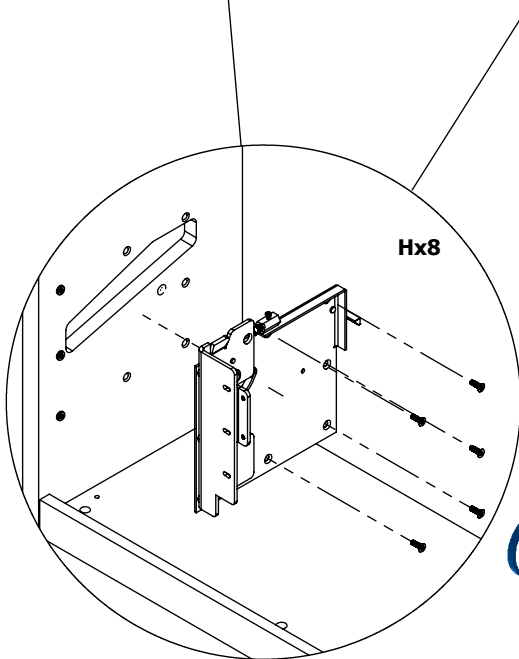
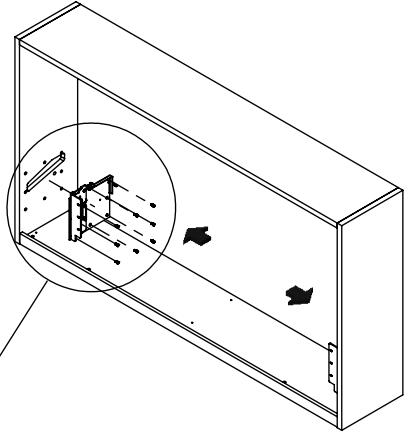
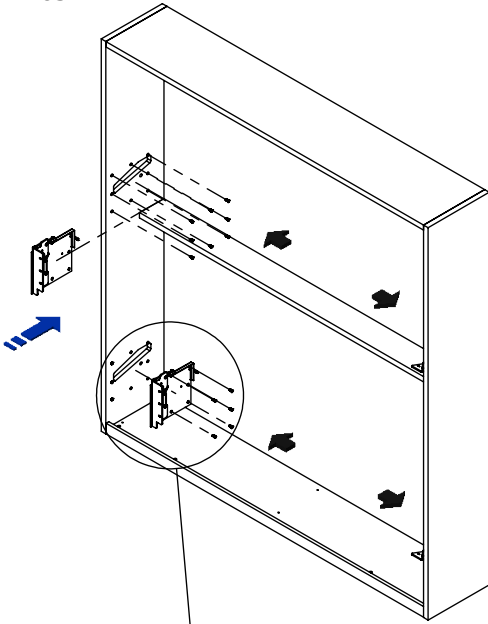
MANDATORY

Remarks: The combination screws, dowel wall must be over **200 Newton** traction on each single screw/fixing point. Check with the supplier on what kind of dowels are to be used.

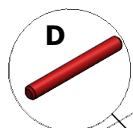



STEP 03

J	K	H
		
Sx pz 1 Lh 1 pc	Dx pz 1 Rh 1 pc	X 10
M6X20		

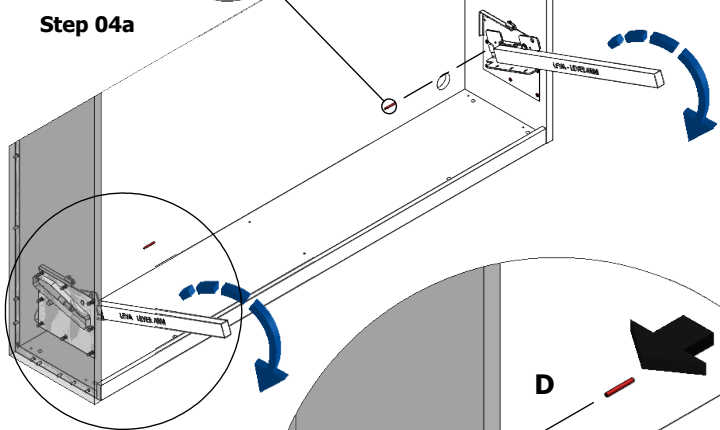


STEP 04

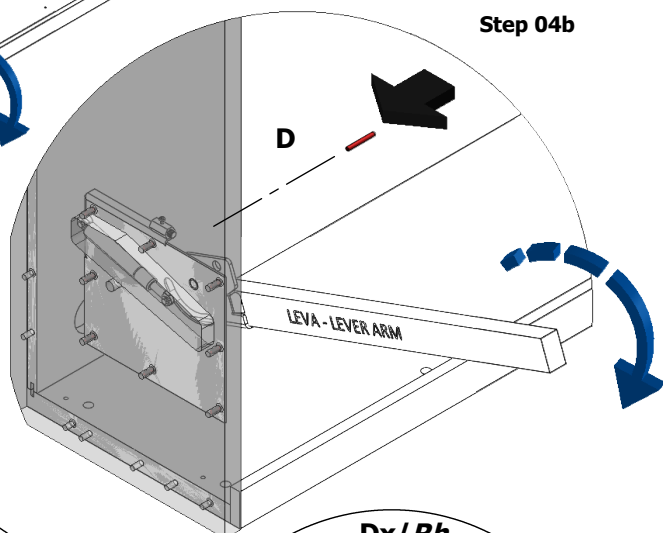


D
 X2
Ø 6X50

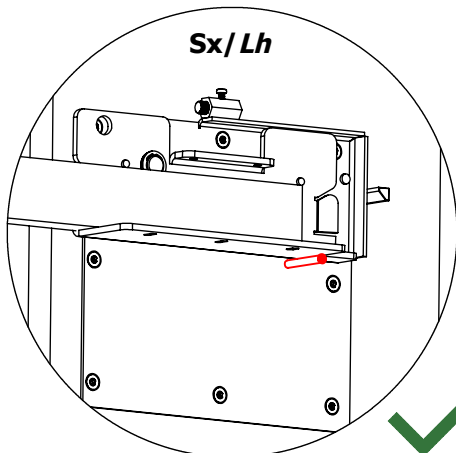
Step 04a



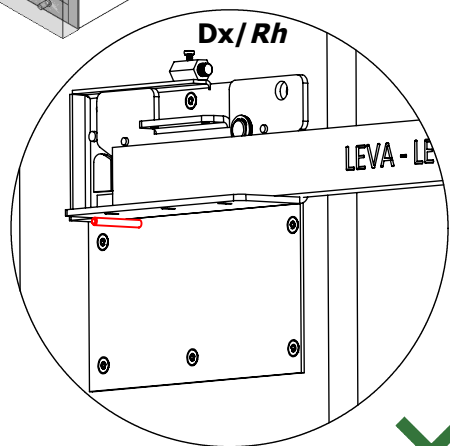
Step 04b



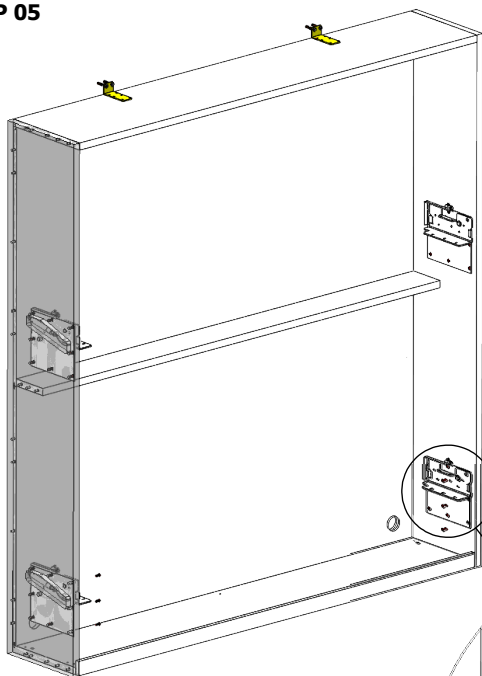
Sx/ Lh




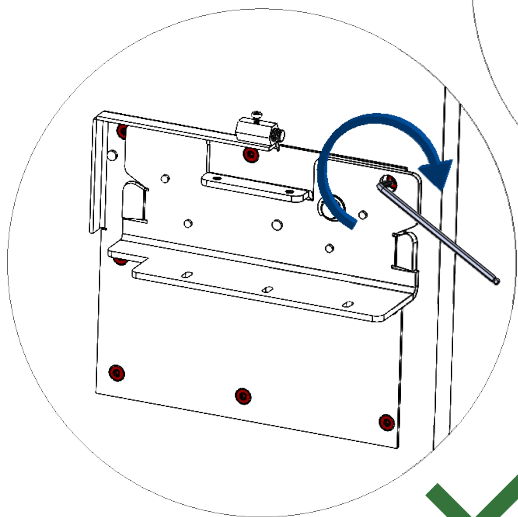
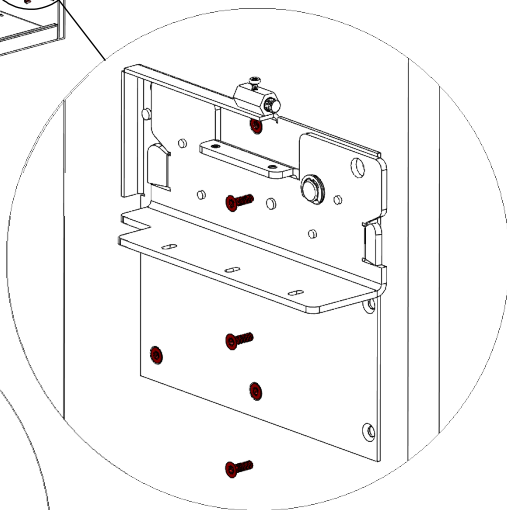
Dx/ Rh



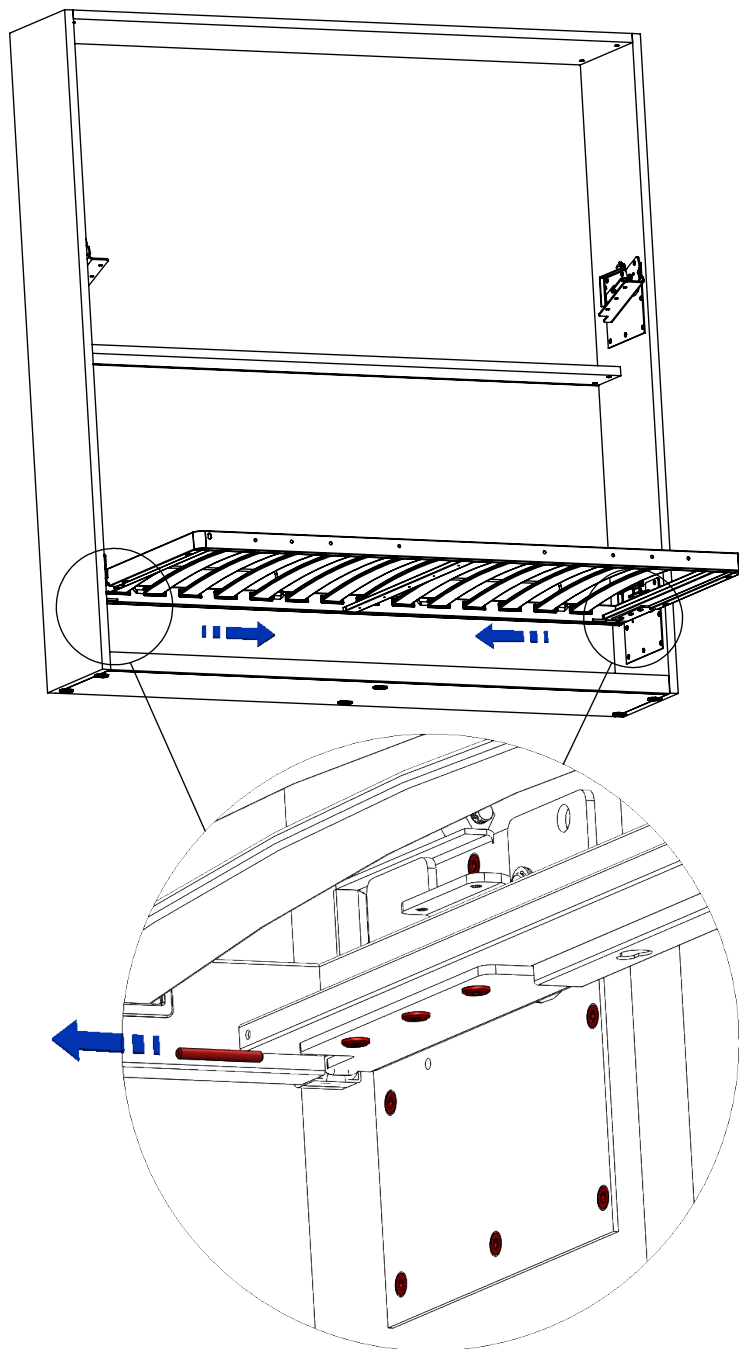
STEP 05



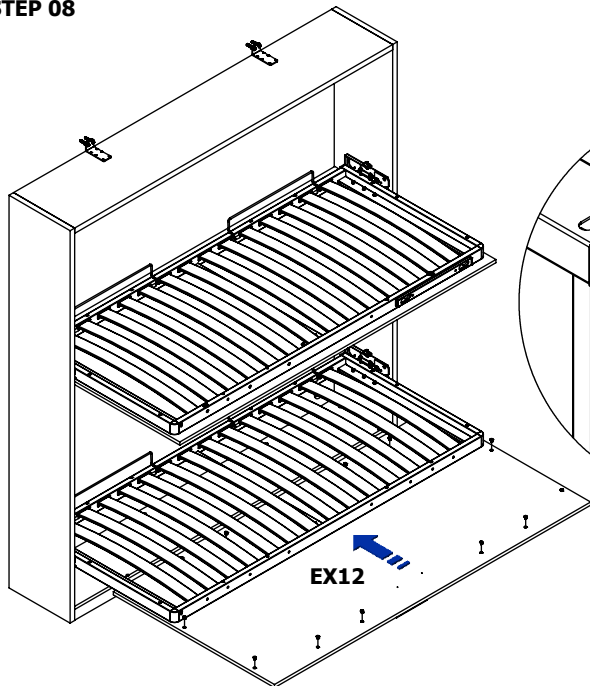
H

X6
M6X20



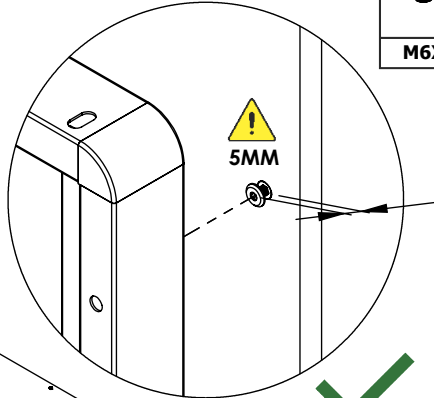
STEP 07




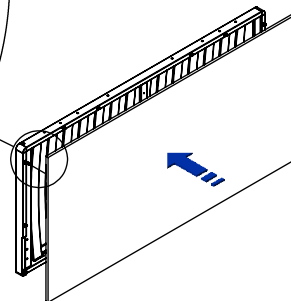
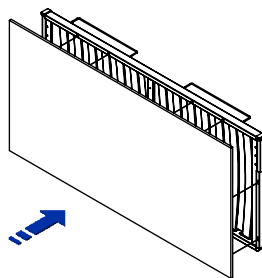
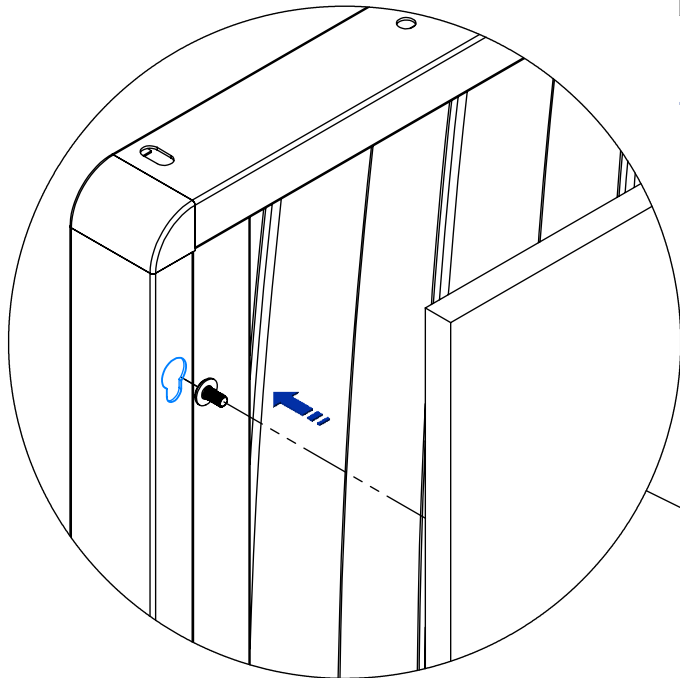
STEP 08



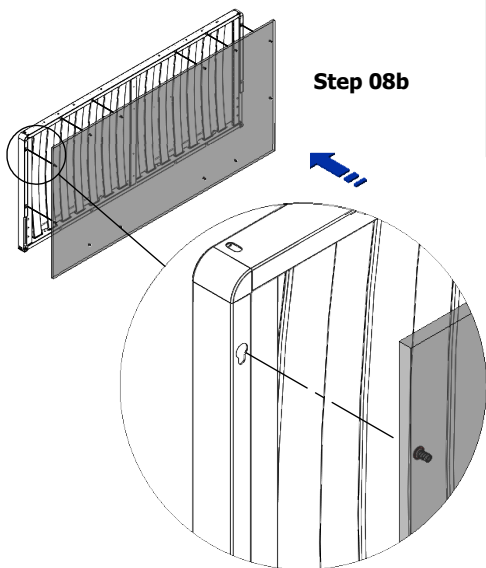
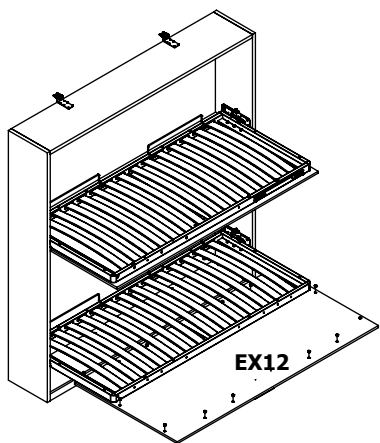
Step 08a




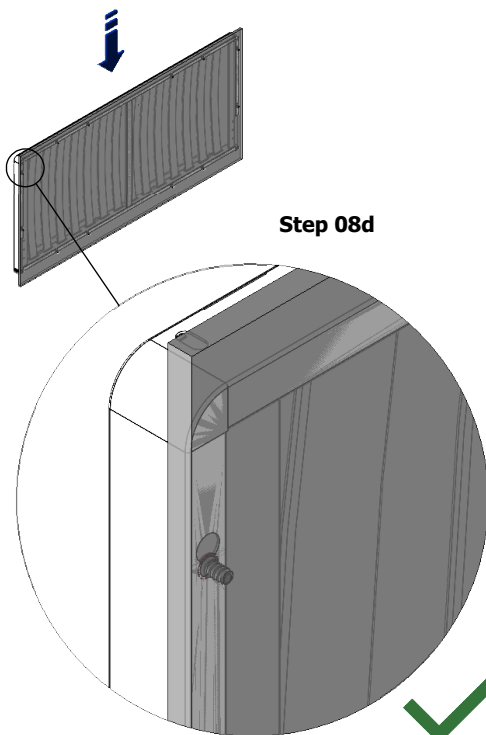
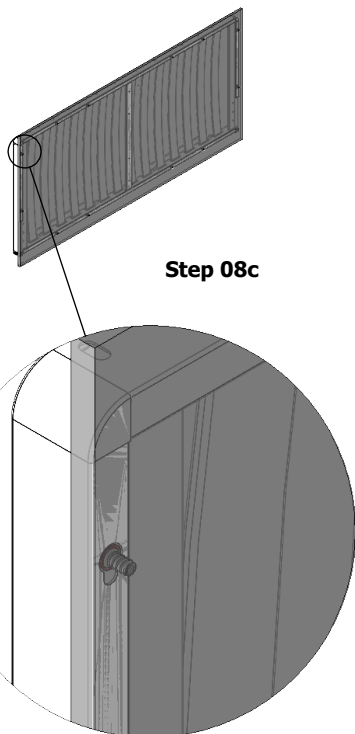
E

X12
M6X12



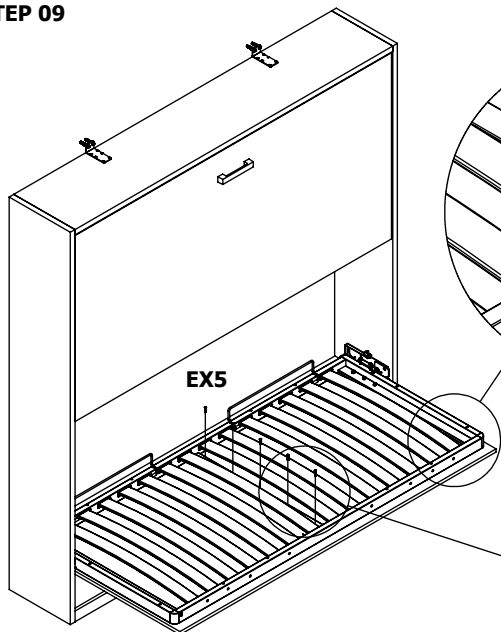
STEP 08




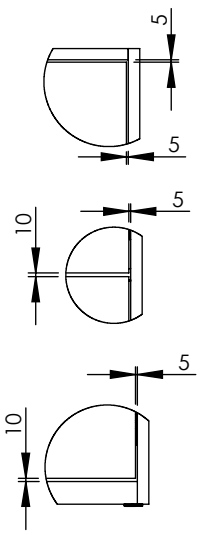
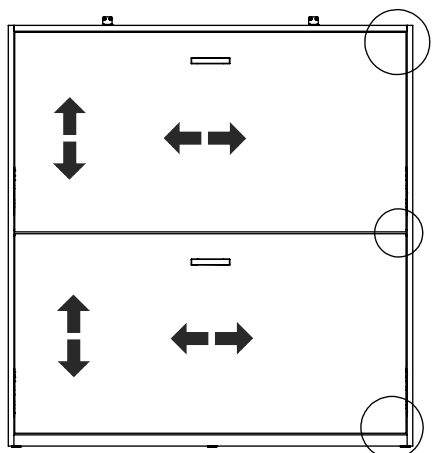
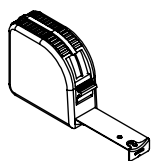
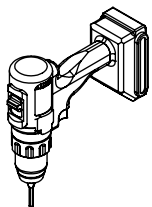
E
 X12
M6X12



STEP 09



E
 X5
4X25





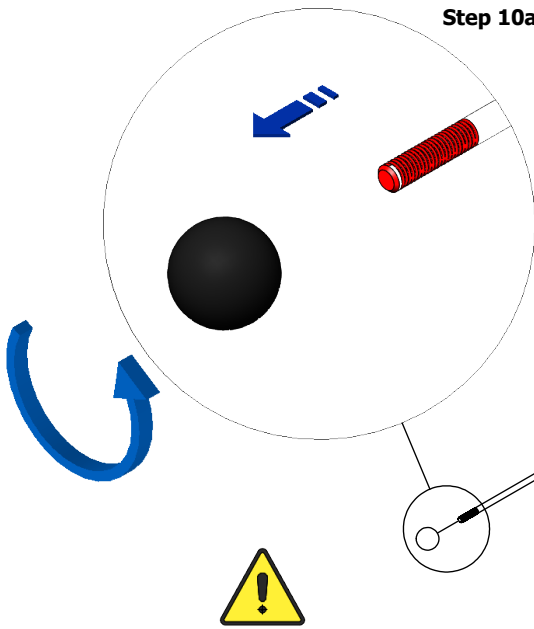
Regolare gli spazi come indicato nelle quote/Adjust spaces as indicated in the dimensions



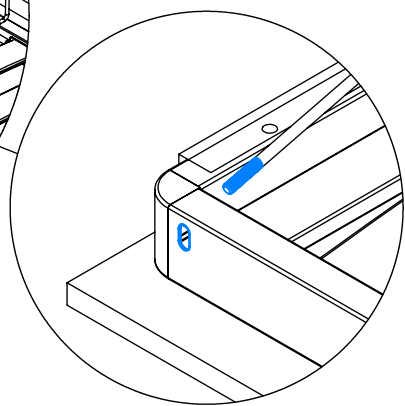
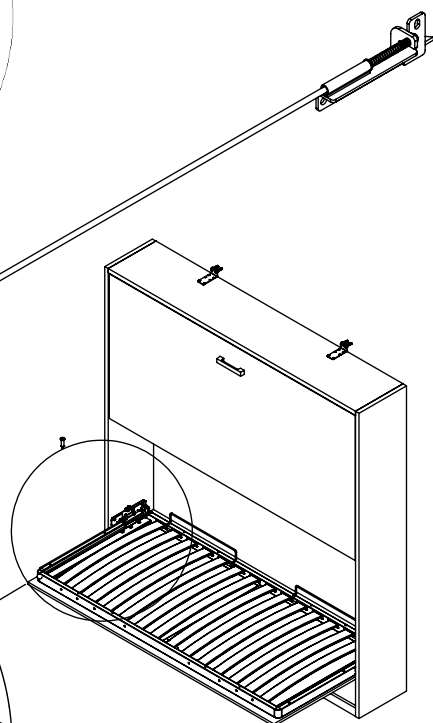
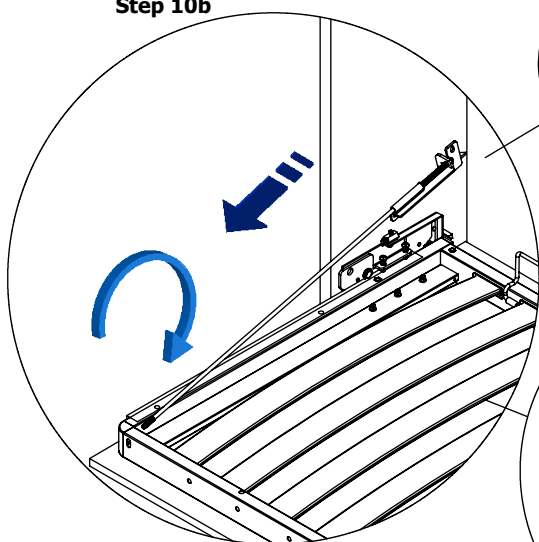
STEP 10

Step 10a

M	G
	
X1	X2
M6X20	

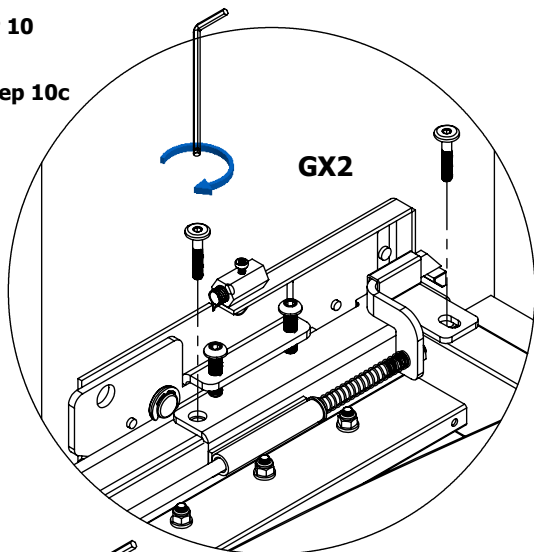




Step 10b



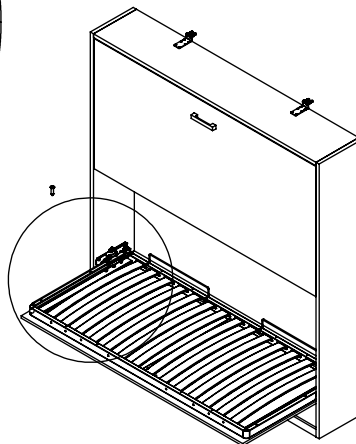
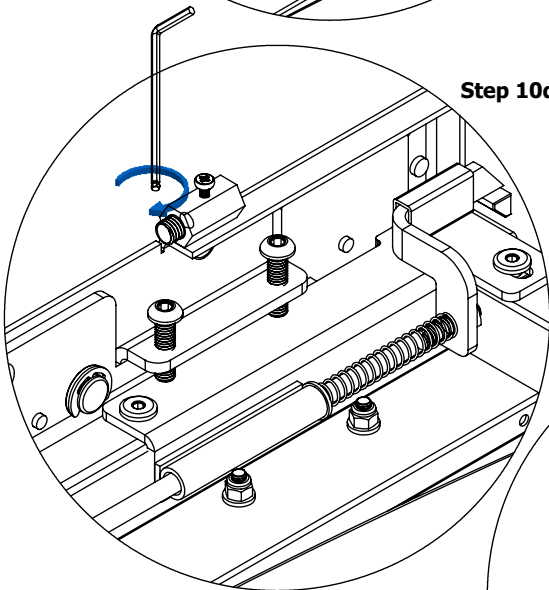
STEP 10

Step 10c

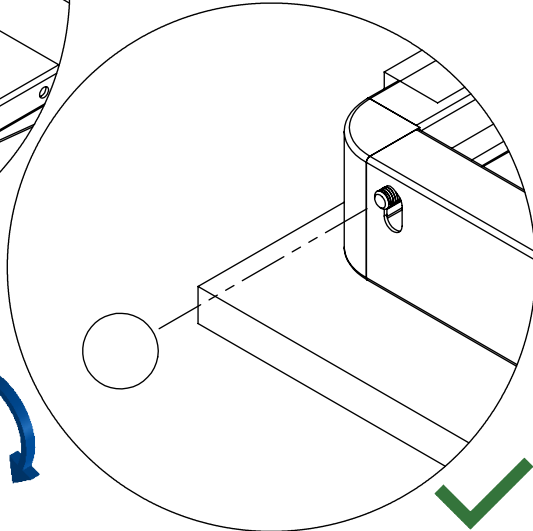


M	G
	
X1	X2
	M6X20

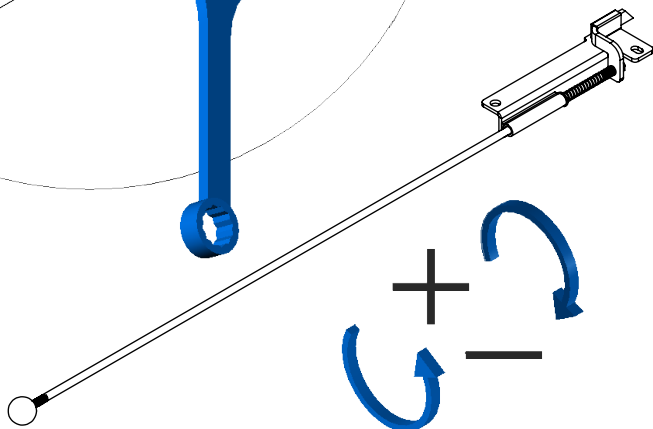
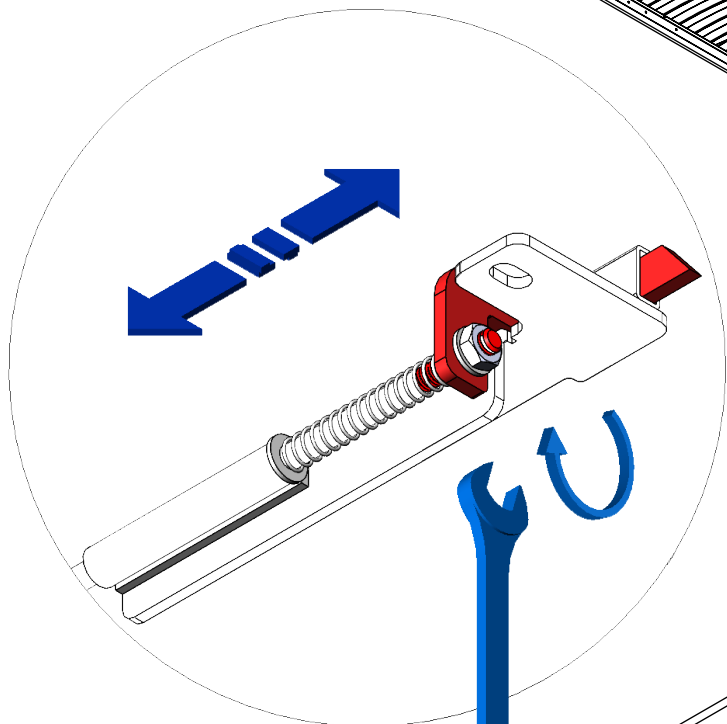
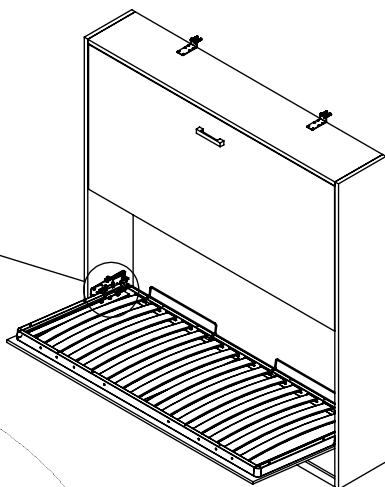
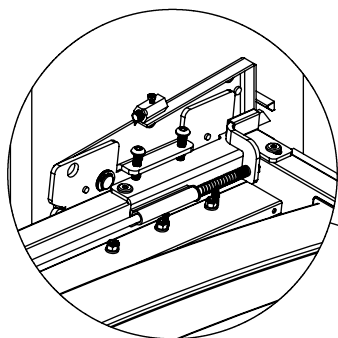
Step 10d



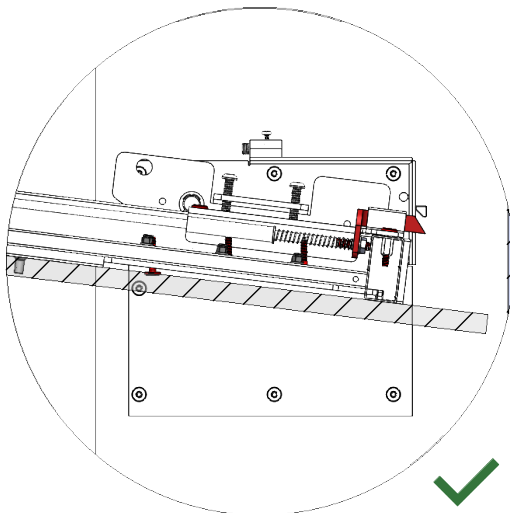
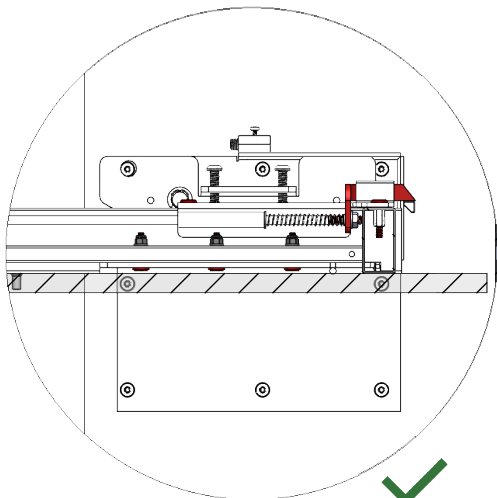
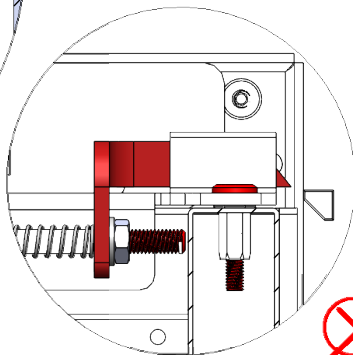
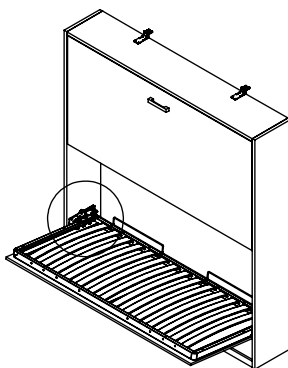
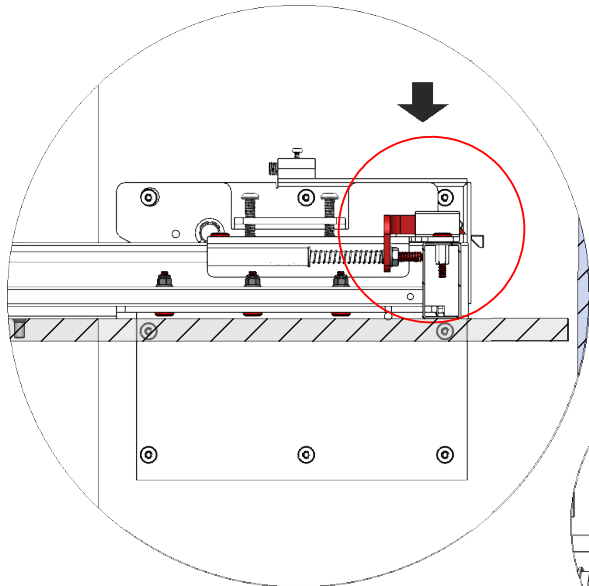
Step 10e



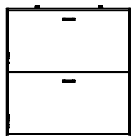
STEP 11




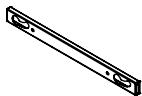
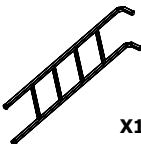


STEP 11

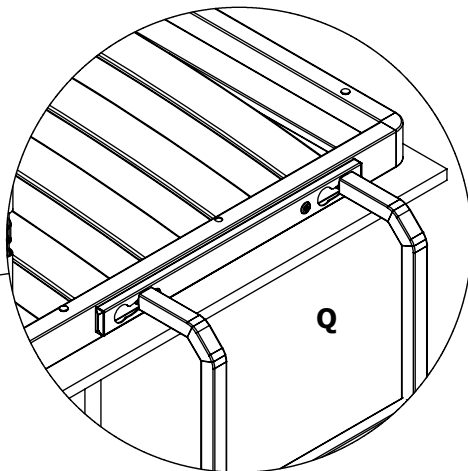
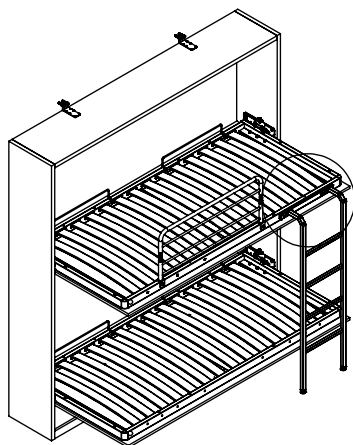


STEP 12



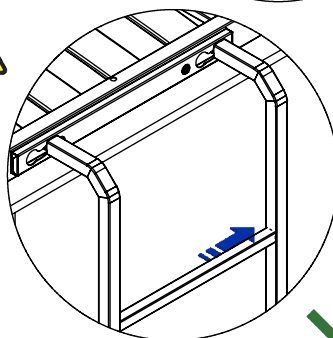
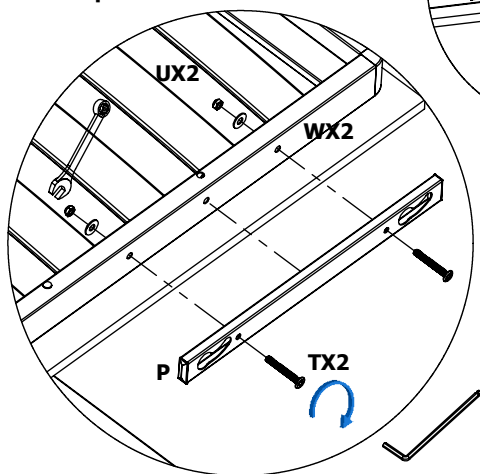
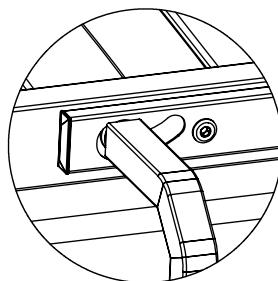
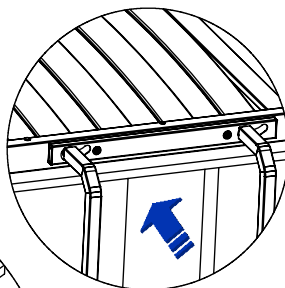
T	U	W	P	Q
 X2	 X2	 X2	 X1	 X1
M8X60	M8	Ø8/24		

SOLO PER CASTELLO/
ONLY FOR BUNK BED

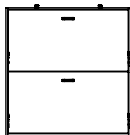


Step 12b



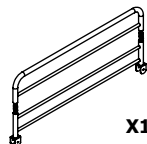
Step 12a

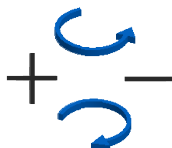
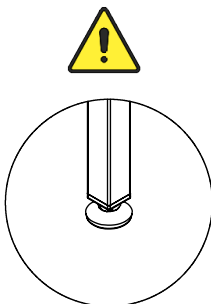
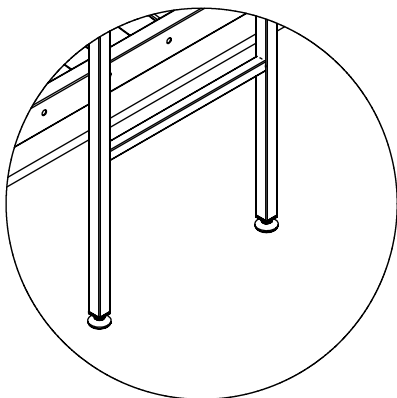
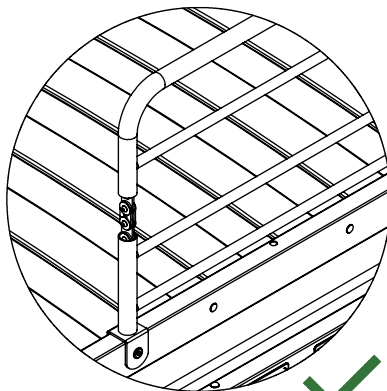
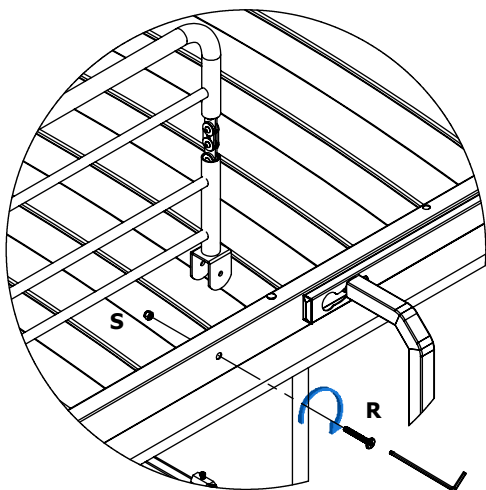
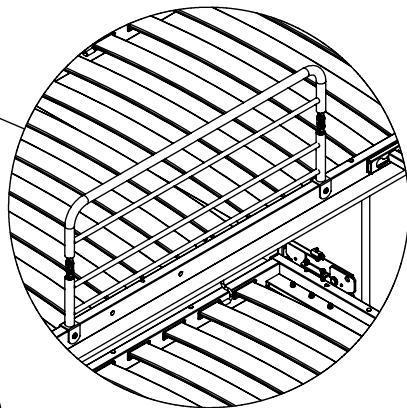
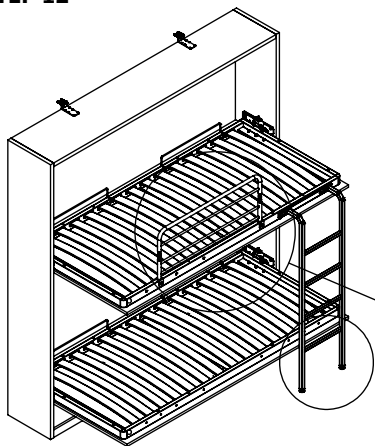


STEP 12

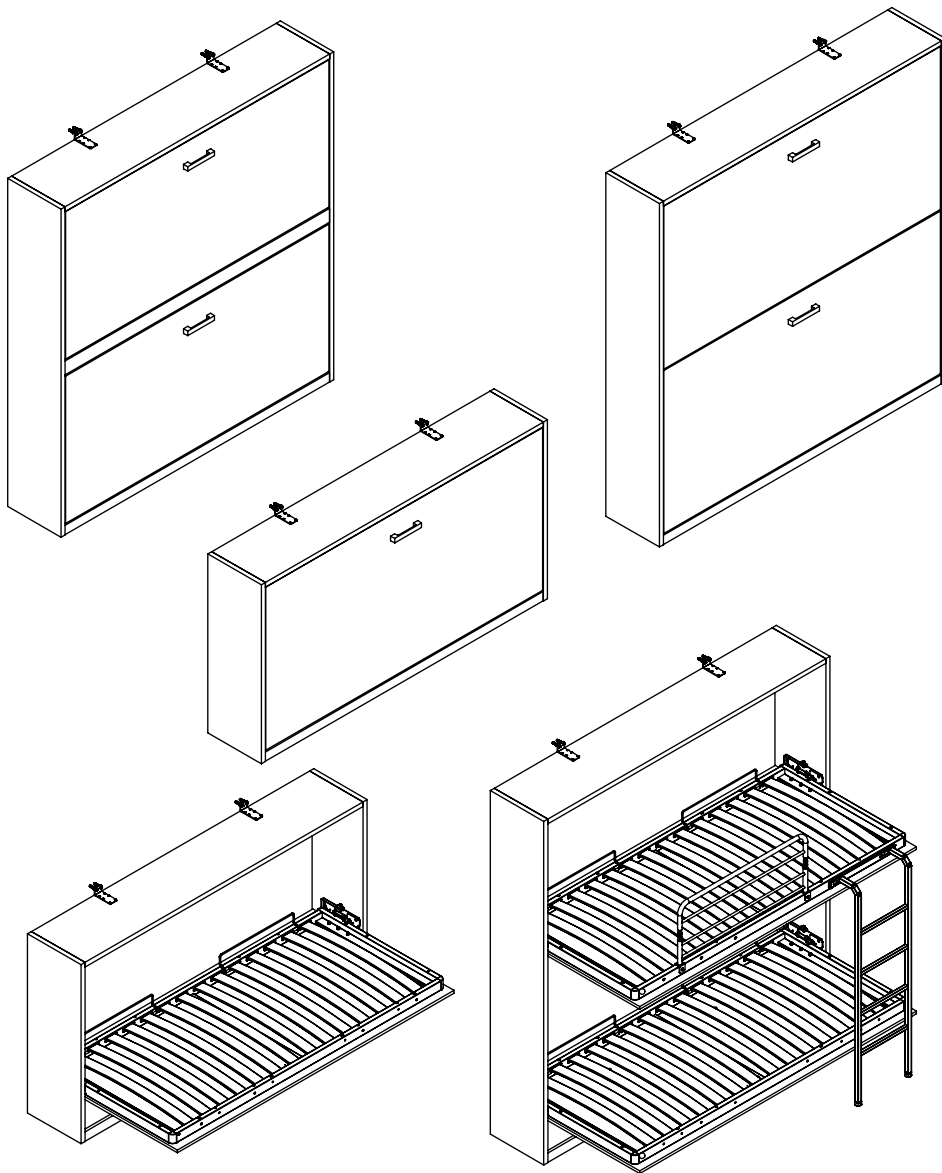


SOLO PER/
ONLY FOR

R	S	O
		
X2	X2	X1
M6x45	M6	



PESSOTTO RETI - ADVANCED TECHNOLOGY FOR BEDS



Pessotto reti srl
Viale delle industrie, 36 - Albina di Gaiarine (TV) - Italia

Tel. +39 0434 758734 - Fax +39 0434 758533
info@pessottoreti.com - www.pessottoreti.com

