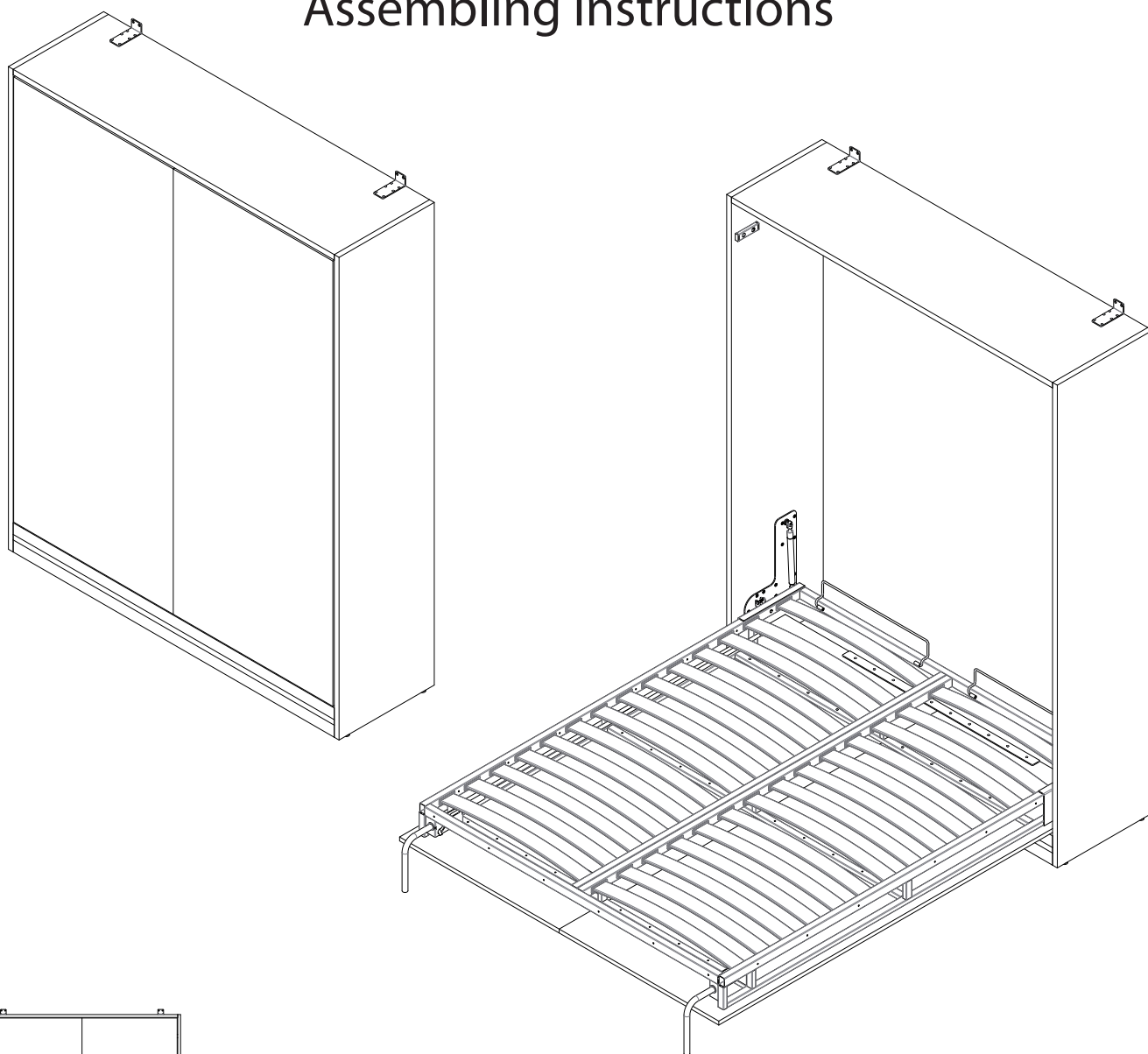




Mod. Dynamic

Double hide-away bed system

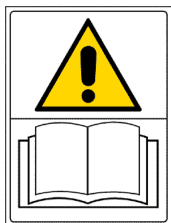
Assembling instructions



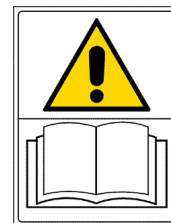
"DYNAMIC" 1420 x 2000 mm

"DYNAMIC" 1620 x 2000 mm

"DYNAMIC" 1820 x 2000 mm



USER GUIDE “ORIGINAL INSTRUCTIONS”



INDEX

1. GENERAL DESCRIPTION	22
USE	22
PRODUCT DESCRIPTION.....	22
GUARANTEE	22
2. SAFETY	23
SAFETY STANDARD	23
RESIDUAL RISK AREAS	24
LABELS.....	24
3. USE OF THE BED SYSTEM	
VERTICAL HIDE-AWAY AND FUNCTIONING	25
GENERAL DATA	25
TECHNICAL FEATURES	25
ASSEMBLING INSTRUCTIONS	26
4. MAINTENANCE - CLEANING	
LUBRIFICATION - DISPOSAL	39
MAINTENANCE	39
CLEANING AND LUBRIFICATION	39
DISPOSAL.....	39

IN ACCORDANCE WITH STANDARD 2001/95/CE

UNI EN 1129-1



Pessotto Reti srl
Viale delle Industrie, 36 - Albina di Gaiarine (TV) - Italia
Tel. +39 0434 758734 - Fax +39 0434 758533
info@pessottoreti.com - www.pessottoreti.com





ALL INSTRUCTIONS OF THIS BOOKLET SHALL BE CAREFULLY READ!!!



1. GENERAL DESCRIPTION

USE

The manual vertical hideaway bed system allows to bring the bedspring from its vertical position inside the cabinet in a horizontal position, to be used as a bed, in a absolutely quick and easy way, with very low efforts.

Before using the hideaway bed, the user must be sure of its good condition and the good condition of its accessories.

Before using the hideaway bed, the user must make sure that on the sleeping surface there is only the mattress and bed linens.

PRODUCT DESCRIPTION

The bed system is composed by following items:

- left and right metal plates with epoxy powder coating
- left and right door stoppers
- a slatted bedspring
- n°10 brackets for door and footboard connection
- hardware fittings

GUARANTEE

PESSOTTO RETI warrants its products for a period of 2 years from the date of purchase. This warranty excludes commercial components. These parts are guaranteed by their original manufacturer.

The guarantee is valid only for appliances that have been installed and used correctly by following all the guidelines of this brief and the “Fixing instructions”.

Responsibility for any misuse is disclaimed.

This product's use is very simple: **before installing and using it, it's mandatory to carefully read the booklet.** Herein you'll find all correct advices for an optimal installation, use and maintenance of the product.

It's important that the booklet is kept together with the product.

This product has been developed for a non-professional use by private persons in households. Its use is not intended to be used by people (children included) who's physical, sensorial or mental capacities are weak, or do not have any experience or knowledge, unless they have been taught by a person that's responsible for their safety. Children shall be surveyed and are not allowed to play with the device.

The installation and/or adjustments of the product shall be carried out in a workmanlike way only by qualified installers, in accordance with all the installation rules of this brief.

Remarks: No liability is assumed by PESSOTTO RETI in failure to comply with the given advices.

2 . SAFETY

SAFETY STANDARD

Compliance with the safety standards puts the user in terms of working productively, without danger of harm to himself and to others.



It's forbidden to use the product without any mattress on the bedspring surface.



It's forbidden to use the bed for a different use, than the one described previously in section USE.



Non correct installation or not made by specialized craftsmen, may cause detachments, breaking or dysfonctions with possible damages to persons, things or animals. All given instructions have to be strictly observed.

Before starting to use the product the users shall be aware of its functions and its technical features, learnt through an accurate and complete reading of the present user's guide.

Tampering or replacement of bed parts that are not authorized by Pessotto Reti, are not allowed.

The use of accessories or spare parts other than those recommended by the supplier, present a non proper and hazardous use of the product.

Any modification of the product not expressly approved by the company Pessotto Reti releases the company from any civil or penal liability.



It's strictly forbidden to remove any safety device and protection (labels) on the set; periodically check the incidental position on the mechanism of blankets or else.

Before starting any maintenance, repair work or cleaning the operator must have read and understood all technical information contained in this guide. Any maintenance and repair shall be performed by qualified personnel only.



WARNING !!!

Never place the product near any heat sources.

Position and lock the bed system to be maintained clear of objects that may hinder its movement.

The instructions and rules contained in this manual must be observed at all times.

RESIDUAL RISK AREAS

In some areas of the product there are some residual risks that couldn't be avoided in designing.

Each user has to be aware of the residual risks of this product in order to avoid possible accidents.

These dangers are listed below:




1) HAZARDS OF CRUSHING


While moving the bedspring there are residual risks of crushing hands between the moving parts of the mechanism and the fixed structure of the bed.

2) MAKE SURE that the area of the bedspring or on the bedspring itself there are no people, animals or things that could collide with its movement.

PLACING OF LABELS

On the product following safety or identification labels could be placed:

 The labels are to inform the users of possible risks during the mechanism's motion.

 No stickers or plates shall be removed, tampered or destroyed.

POSITION	LABEL	DESCRIPTION
On bedspring during motion.		Caution: Hand crushing

3. USE OF THE VERTICAL HIDEAWAY BED AND ITS FUNCTION

GENERAL

The vertical manual hideaway bedsystem has been developed by keeping in mind to have an extra bed, according to the needs, in a absolutely quick way, avoiding all unjustified efforts of the user.

MANUAL MECHNANISM

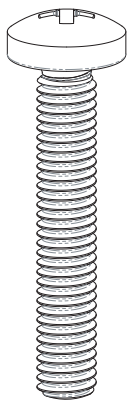
The manual hideaway bed's movement happens by means of two gas springs put on the sides of the structure, and recline the bedspring and by leverage which recline the tubular, that becomes the bed's footboard. (pag.35)

TECHNICAL FEATURES

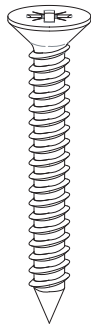
Bedspring/ mattress size	Bedspring 1420 mm Mattress 1400x2000 mm	Bedspring 1620 mm Mattress 1600x2000 mm	Bedspring 1820 mm Mattress 1800x2000 mm
Bedspring weight	34,5Kg	36,5Kg	38,5Kg
Mattress average weight	25Kg	28Kg	32Kg
Panel weight	40Kg	45Kg	50Kg
Internal size of the cabinet	2090x1506 x400 mm	2090x1706 x400 mm	2090x1906 x400 mm

FIXING INSTRUCTIONS

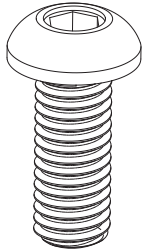
Hardware list



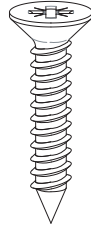
A
M6x35



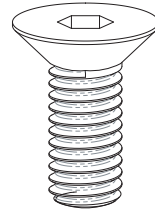
B
M4x35



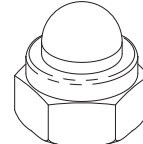
C
M8x20



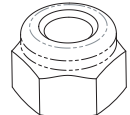
D
M4x20



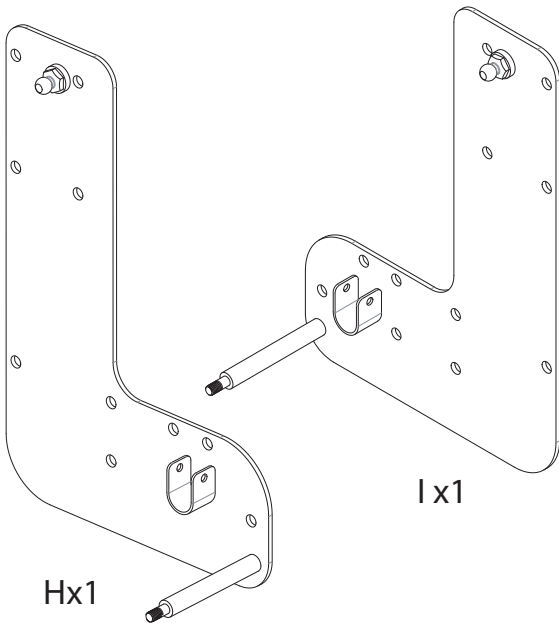
E
M6x15



F
M8

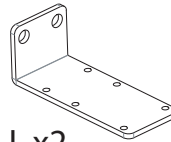


G
M6

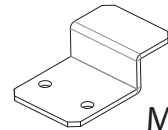


Hx1

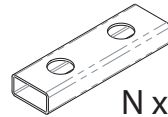
Ix1



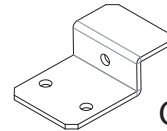
Lx2



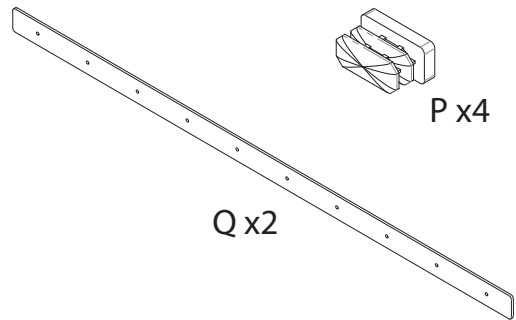
Mx4



Nx2

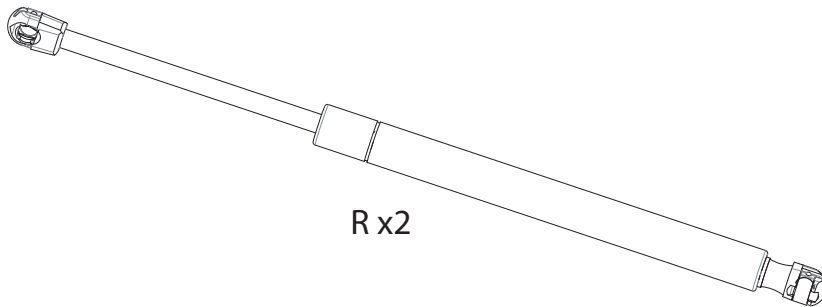


Ox4

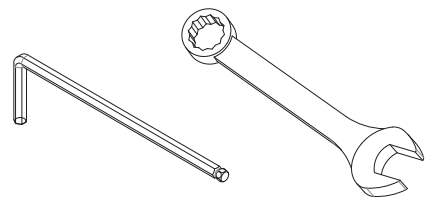
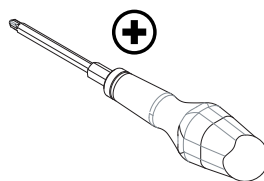
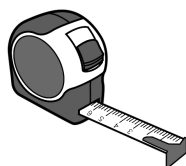
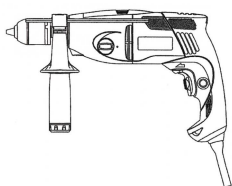


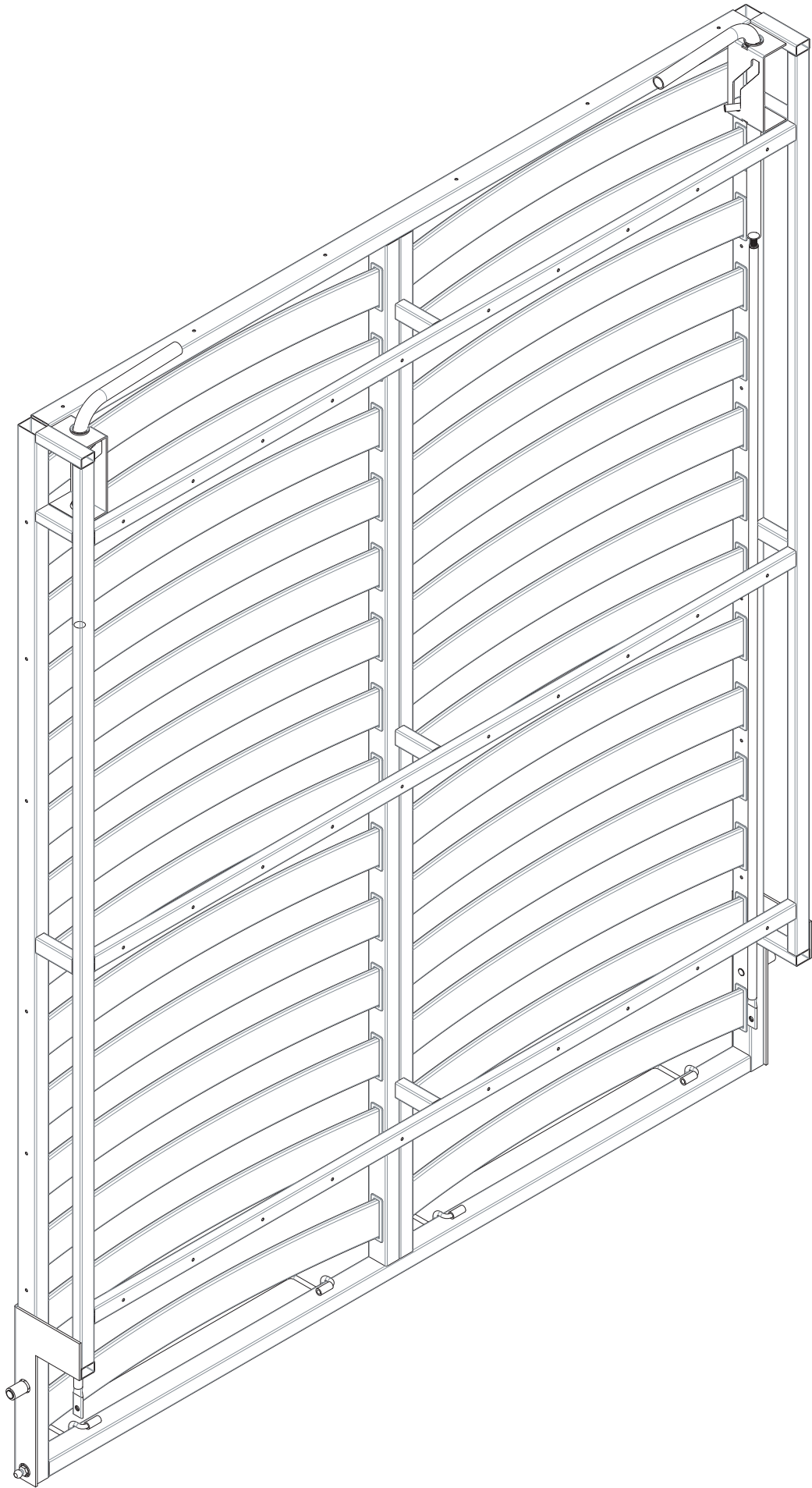
Px4

Qx2



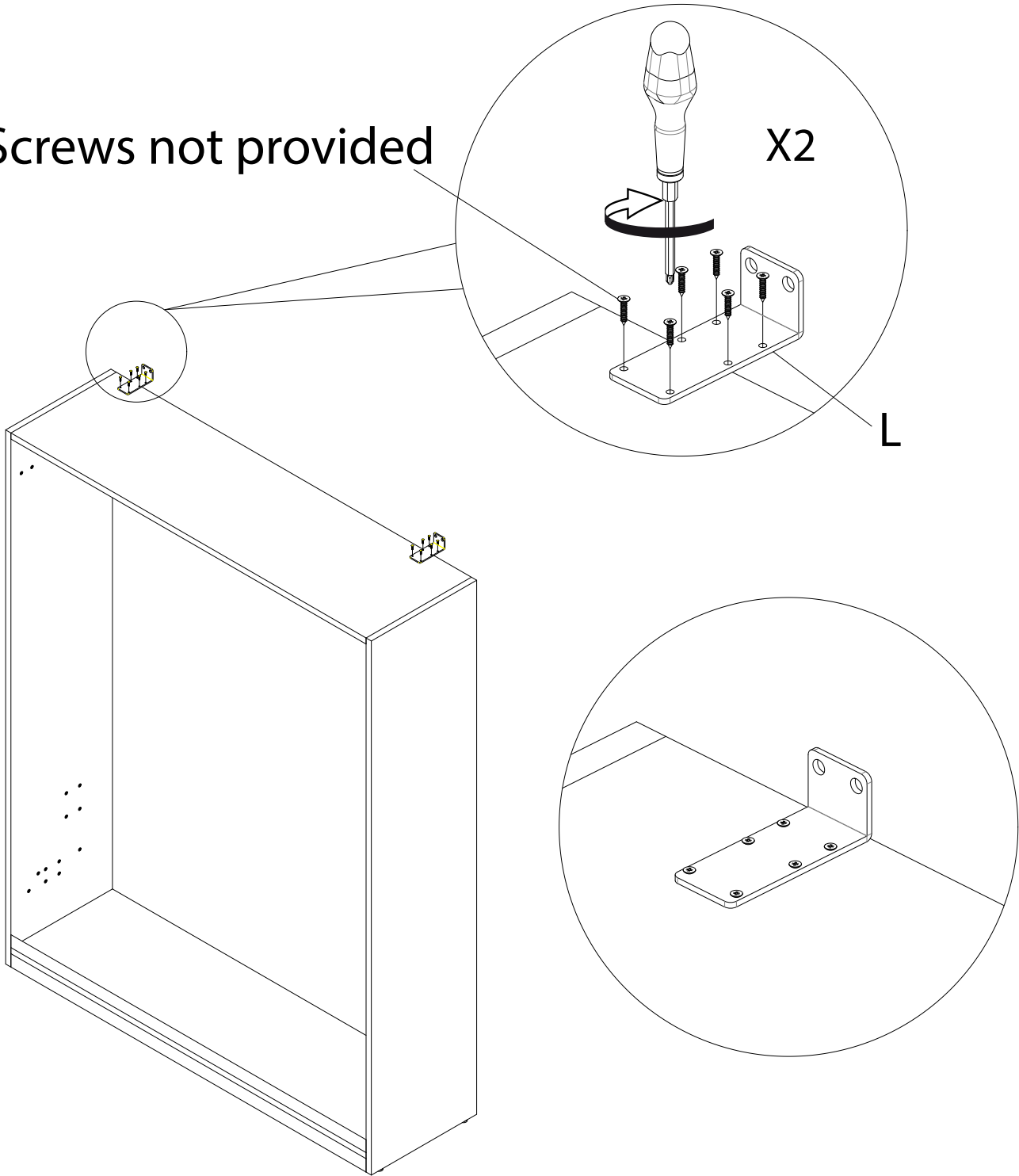
Rx2





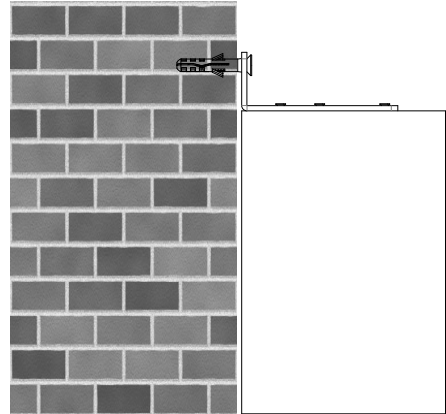
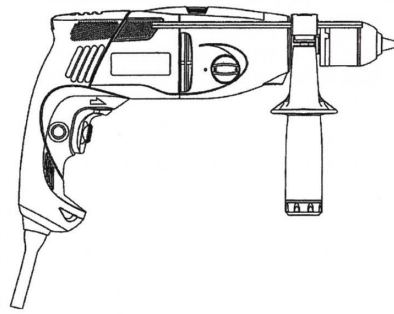
STEP 01

Screws not provided

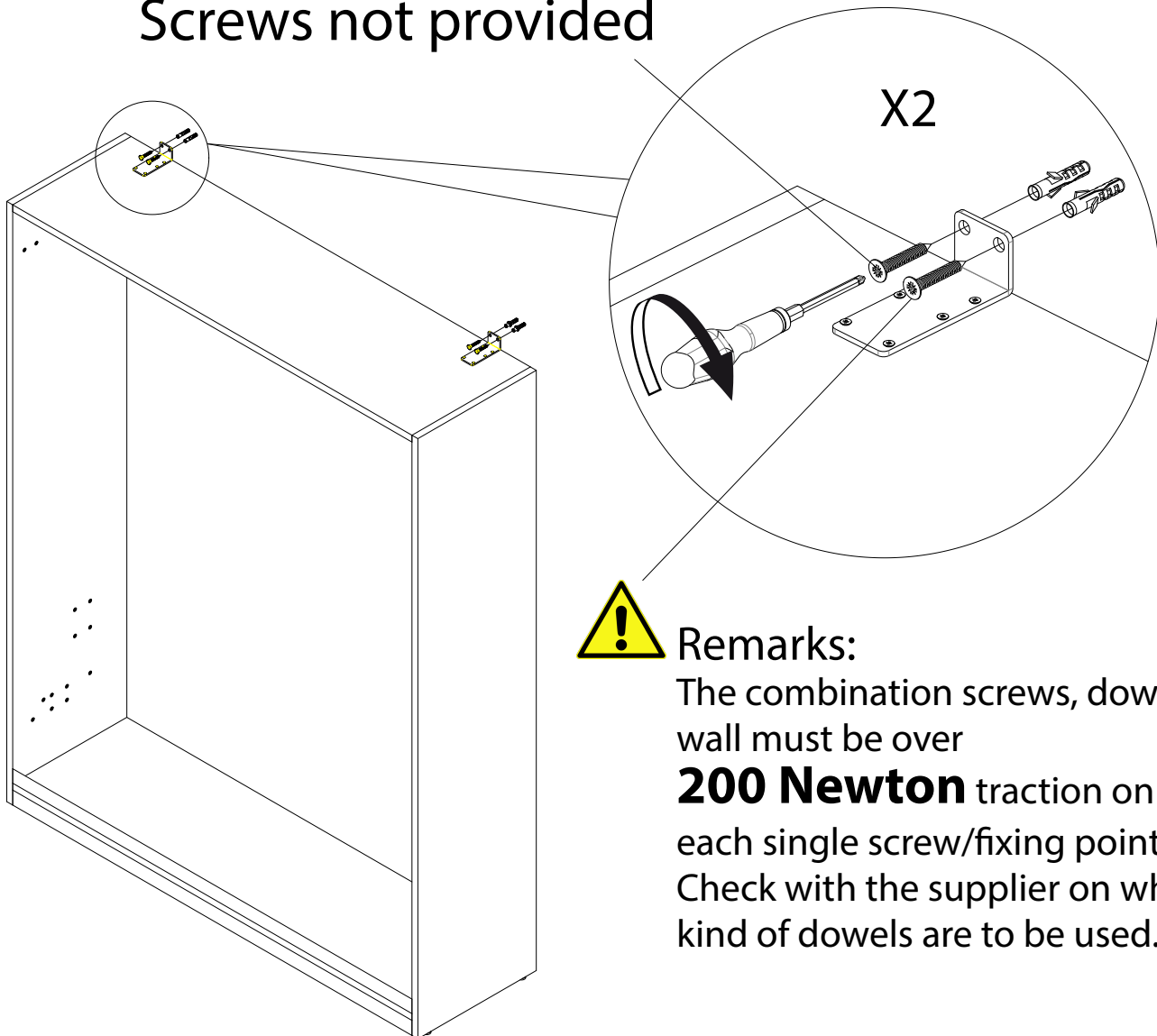


STEP 02

MUST BE



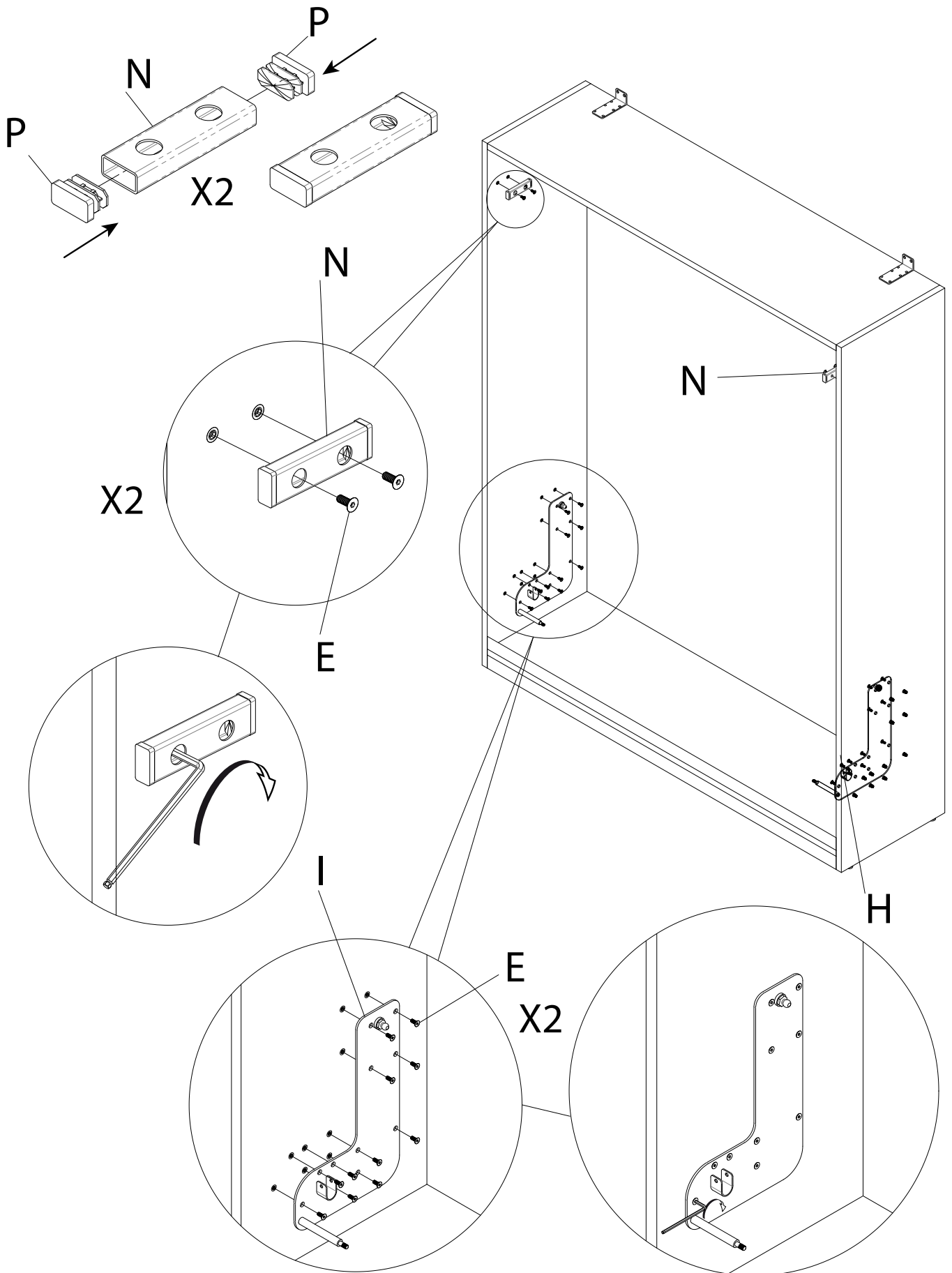
Screws not provided



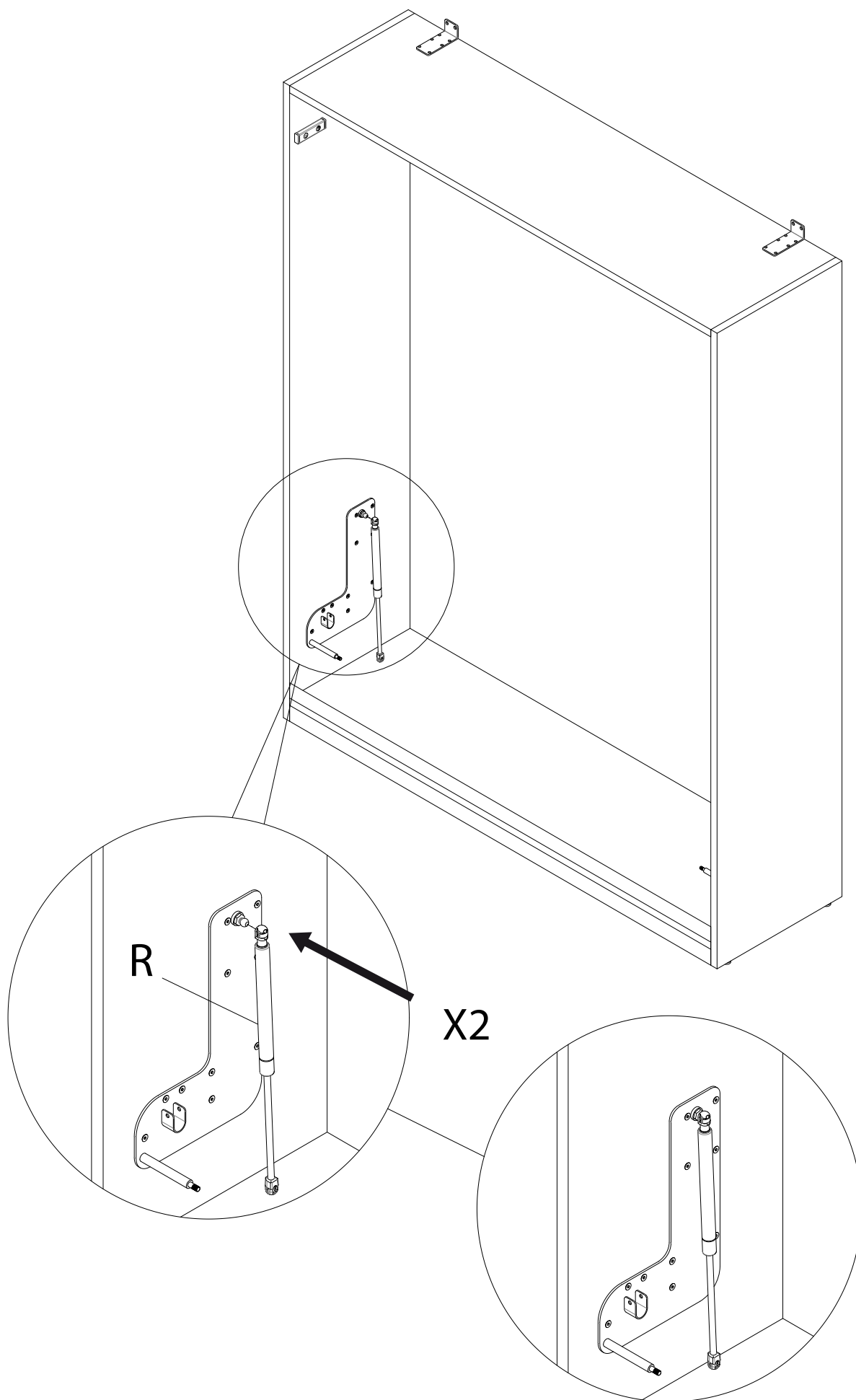
Remarks:

The combination screws, dowel wall must be over **200 Newton** traction on each single screw/fixing point. Check with the supplier on what kind of dowels are to be used.

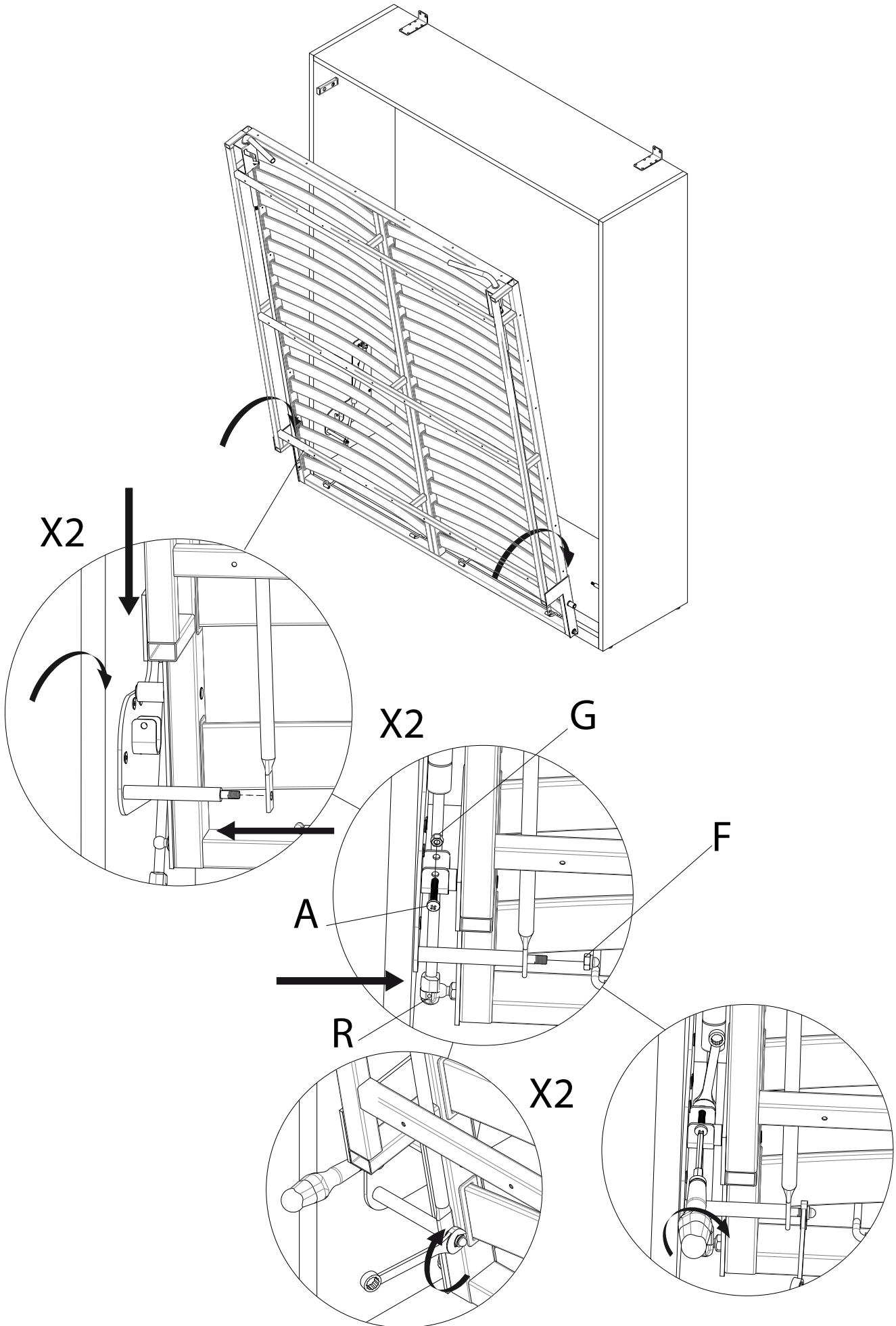
STEP 03



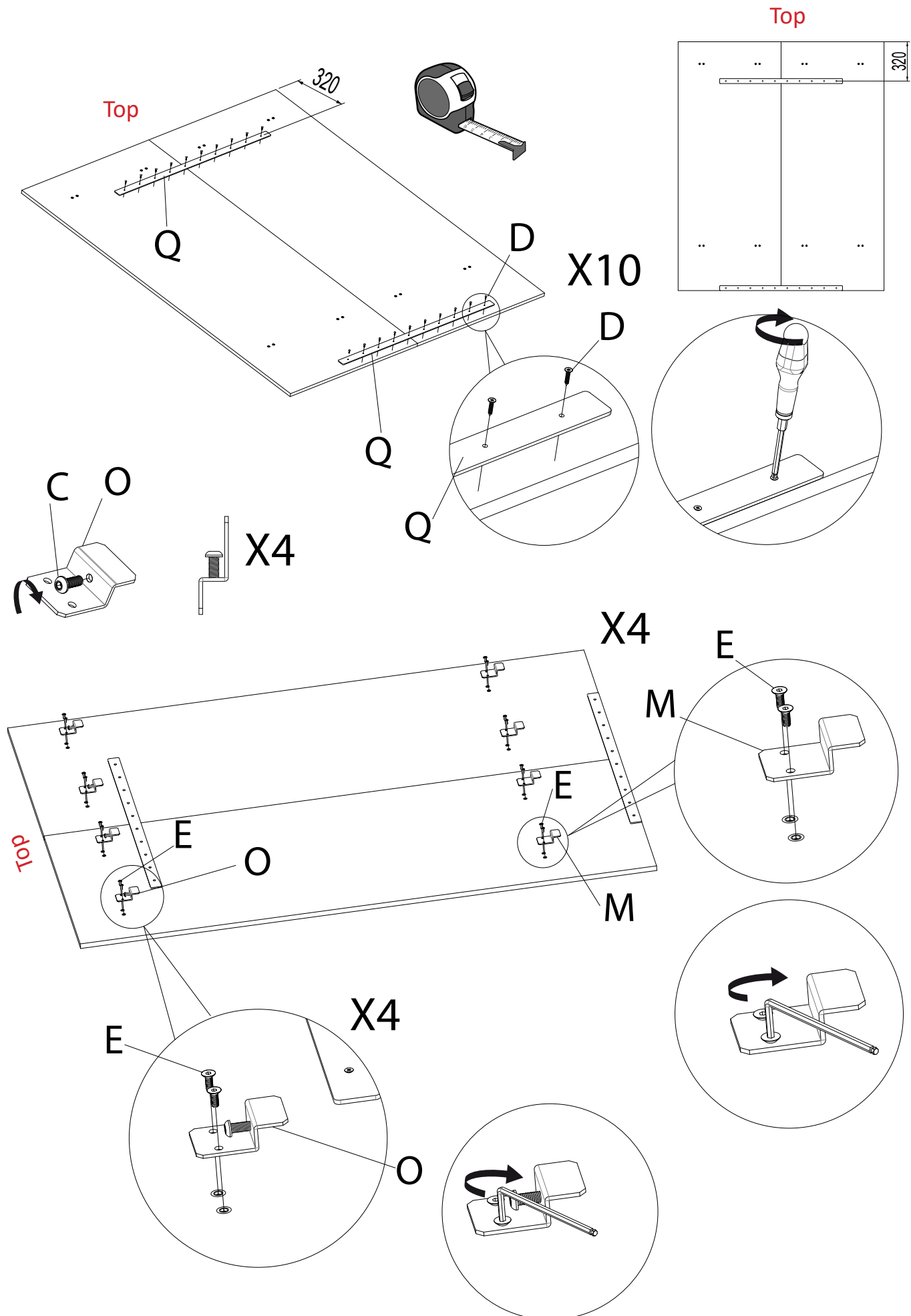
STEP 04



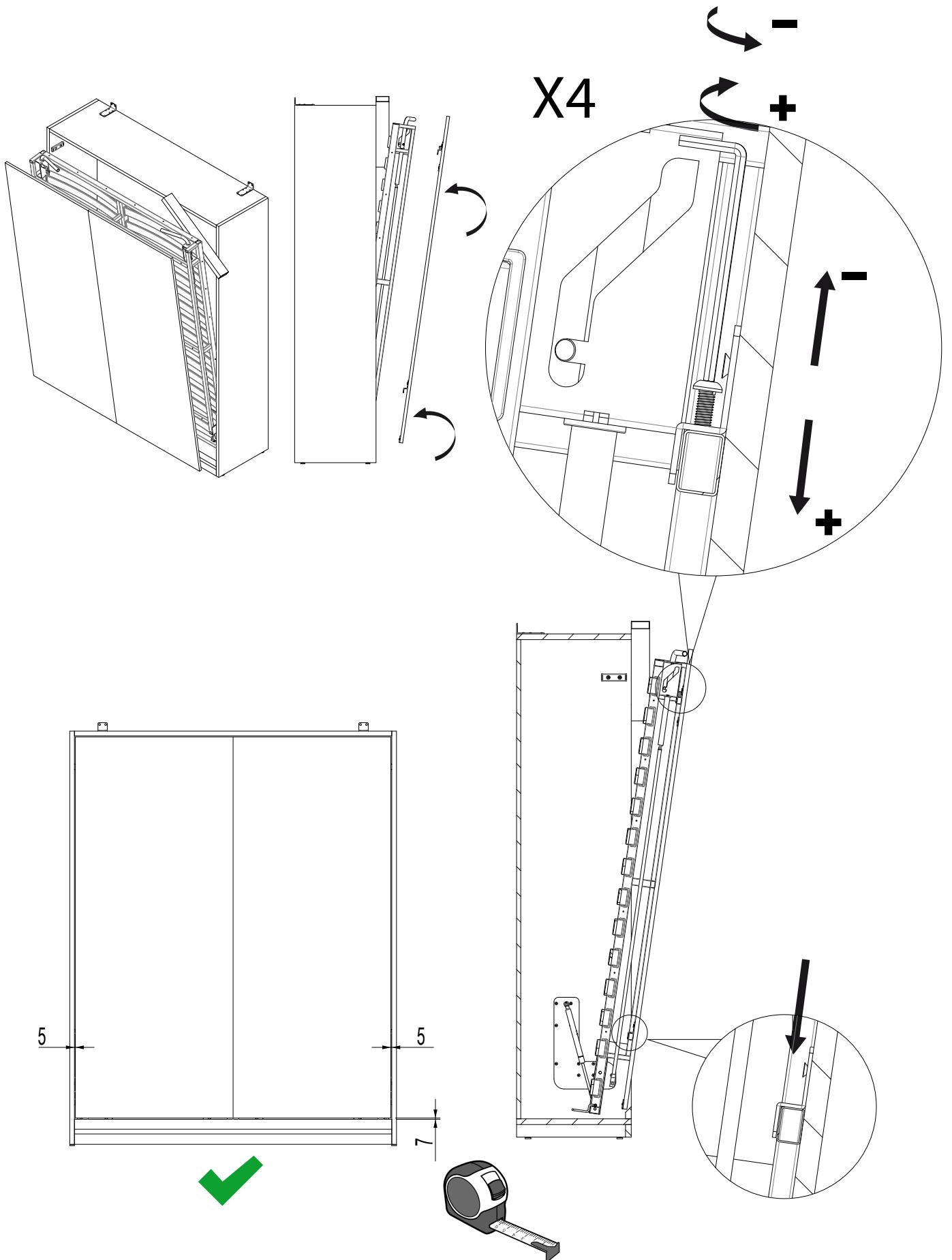
STEP 05



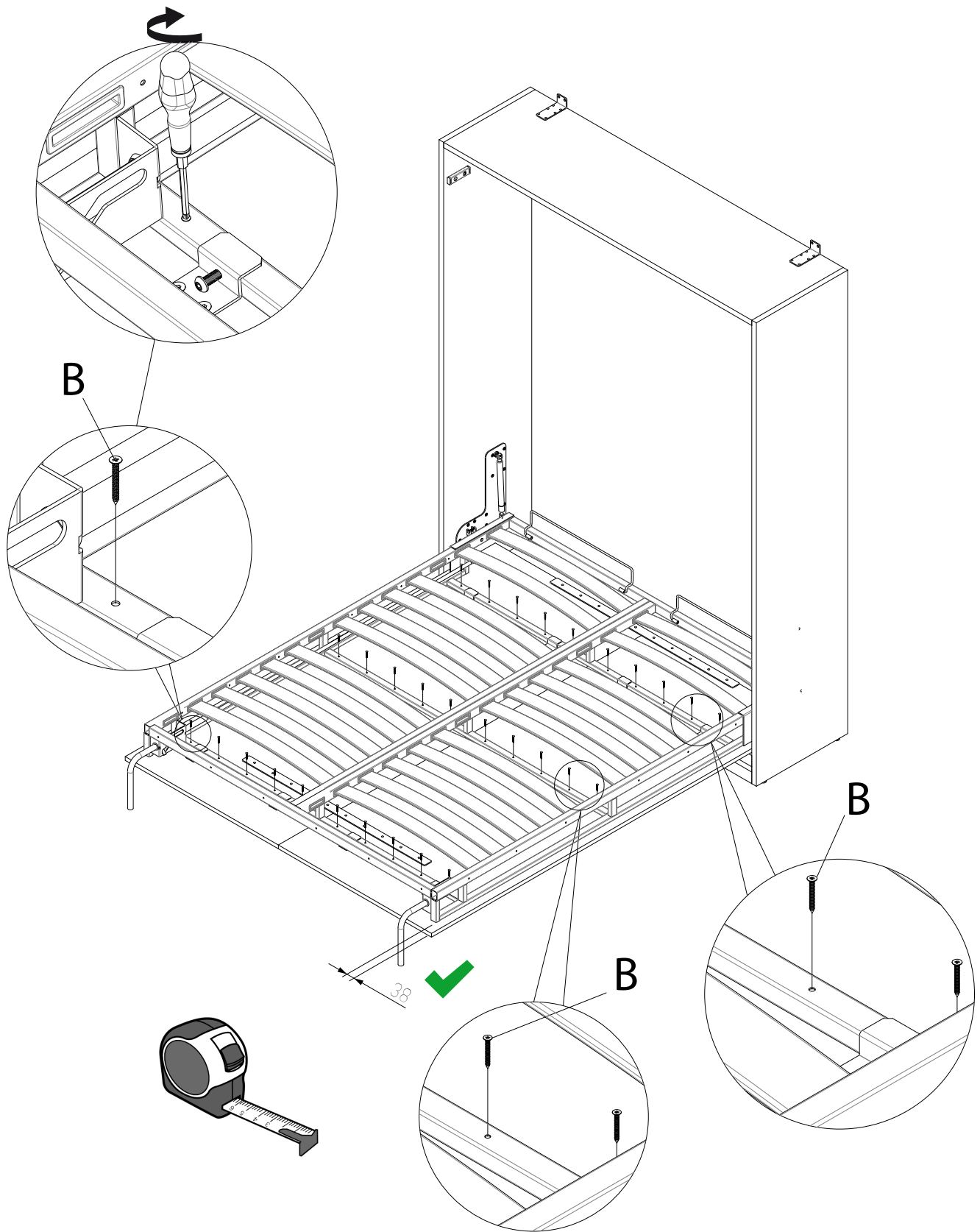
STEP 06



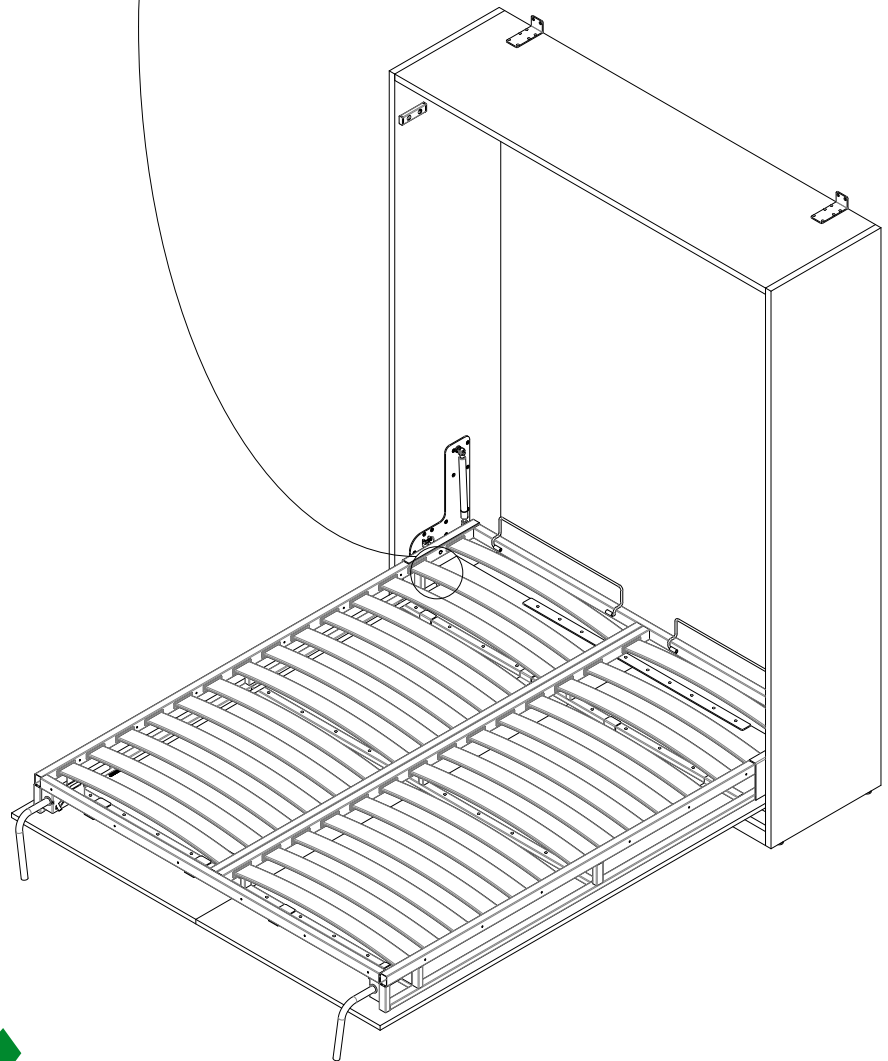
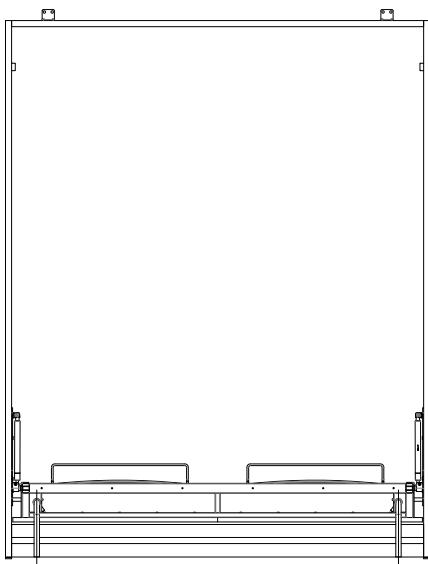
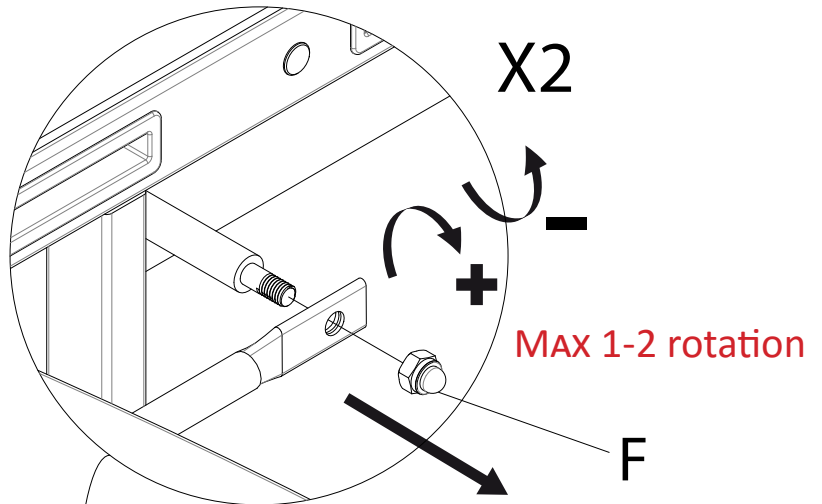
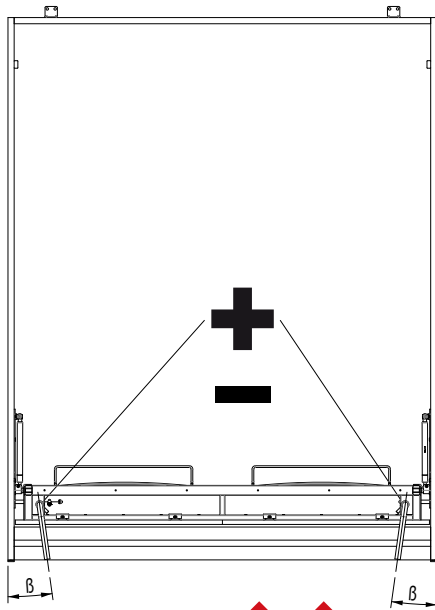
STEP 07

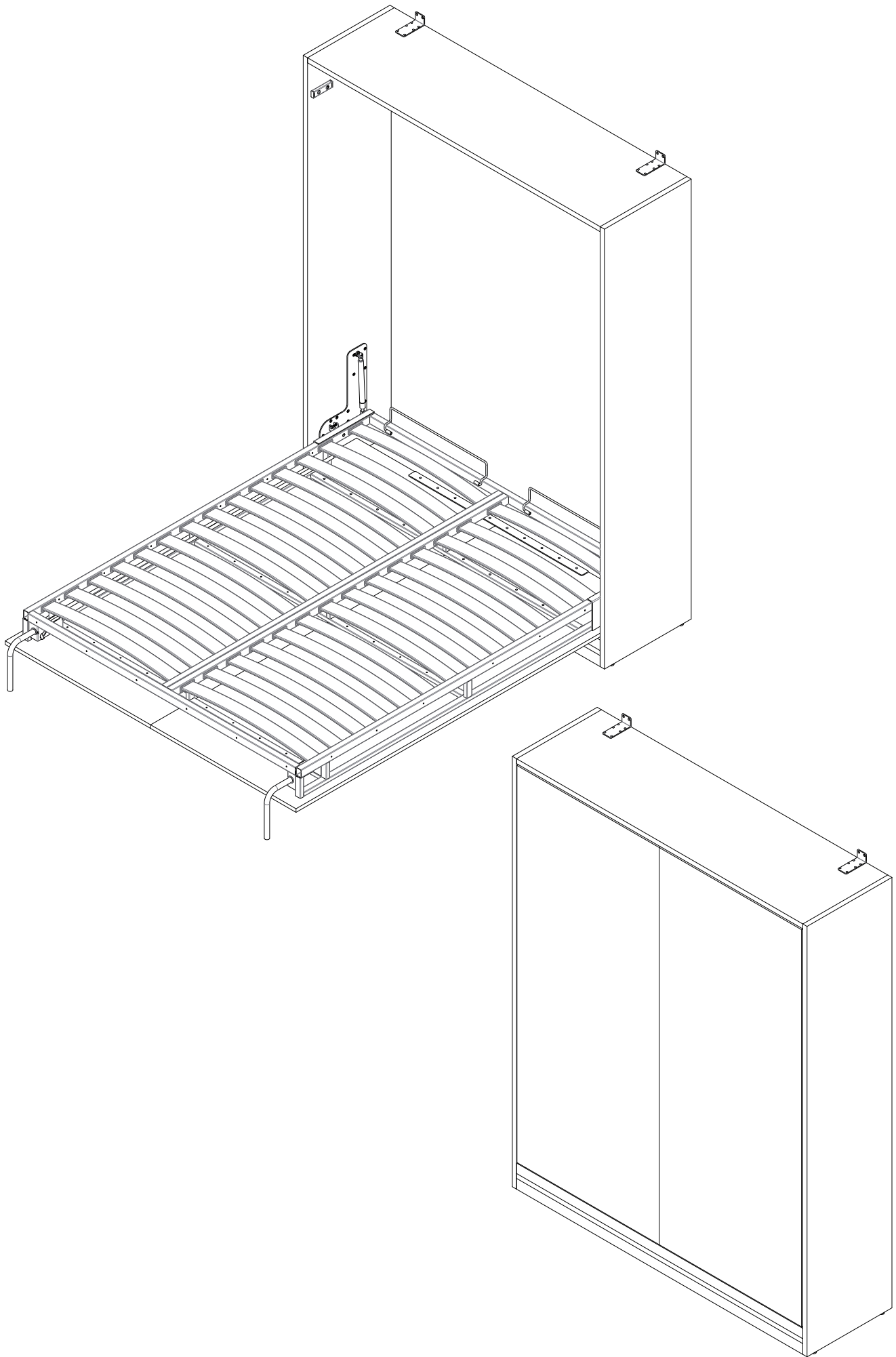


STEP 08



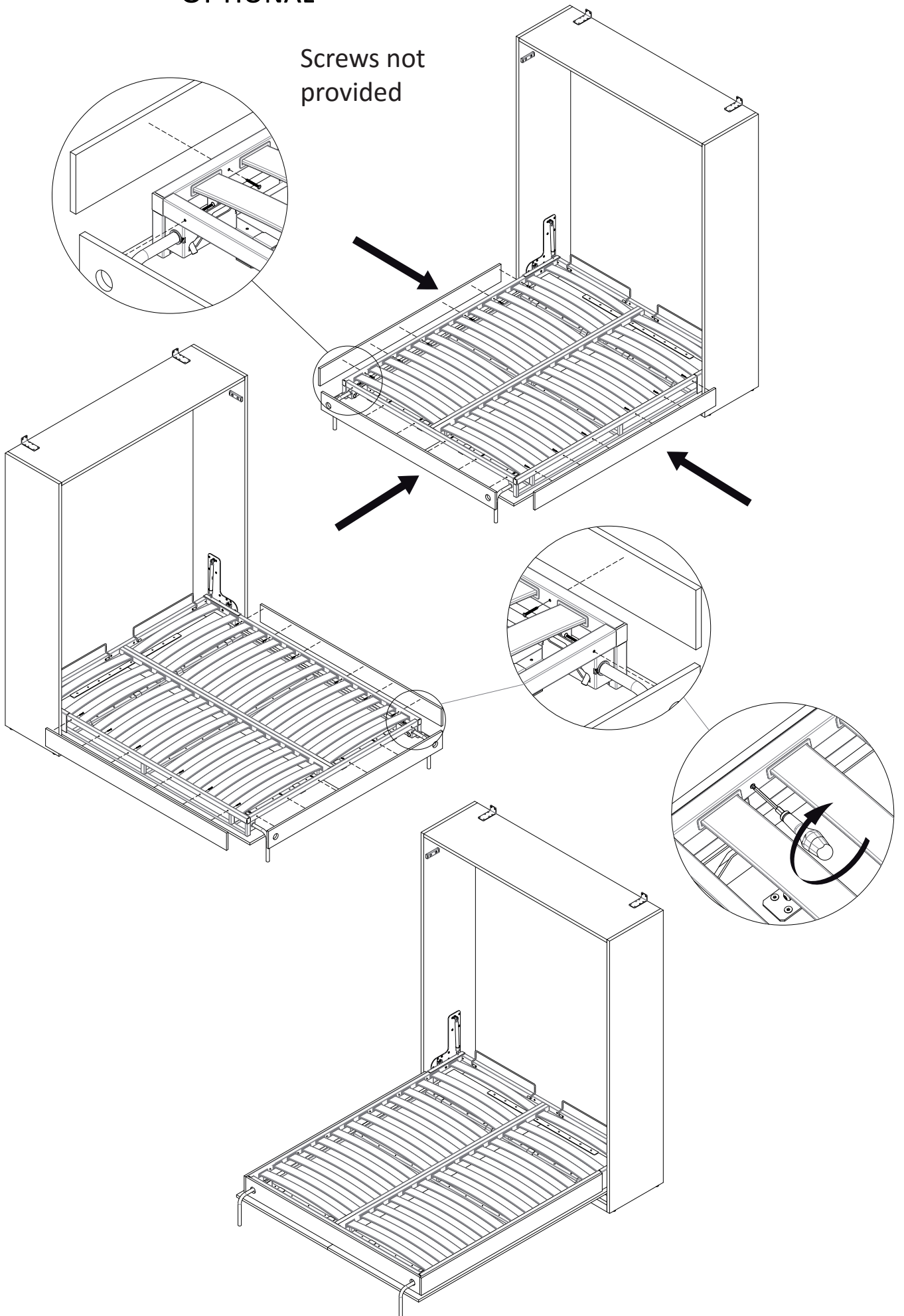
STEP 09





OPTIONAL

Screws not provided



4. MAINTENANCE - CLEANING - LUBRIFICATION - DISPOSAL

MAINTENANCE

Make periodical check of all screwed on parts, including also the steadiness of the wall fixation, by checking that no elements are lose, folded, damaged or missing.

CLEANING AND LUBRIFICATION

The cleaning of all metal parts shall be made with a humid sponge or cloth.

Don't use nay solvents or abrasive materials.

Lubrication of mobile elements as rotation pivots and door hinges, shall be made every 60 cycles with a lubricant.

DISPOSAL

The different parts shall be disposed in special containers in accordance with the ruling standards.
DO NOT DUMP.

