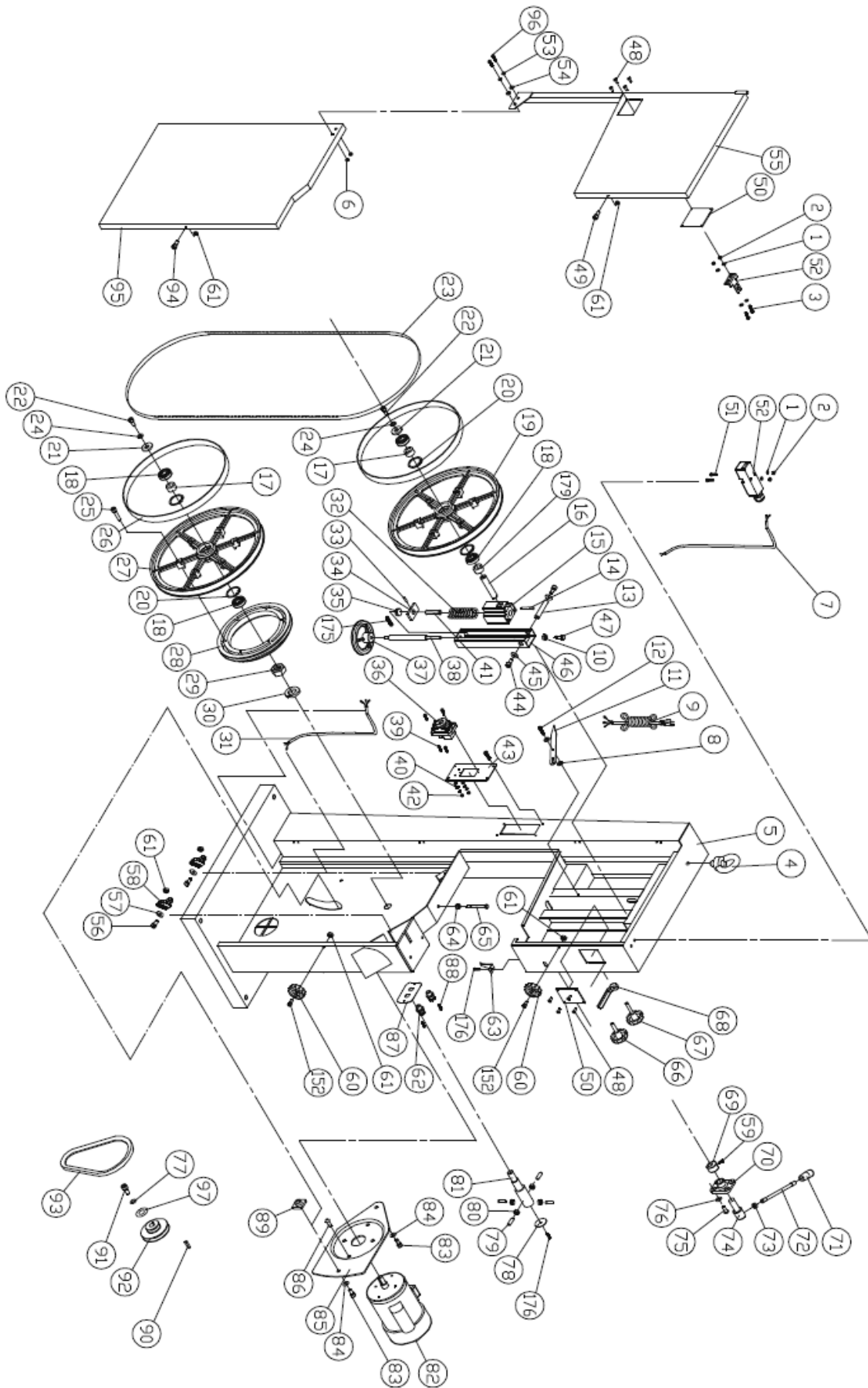
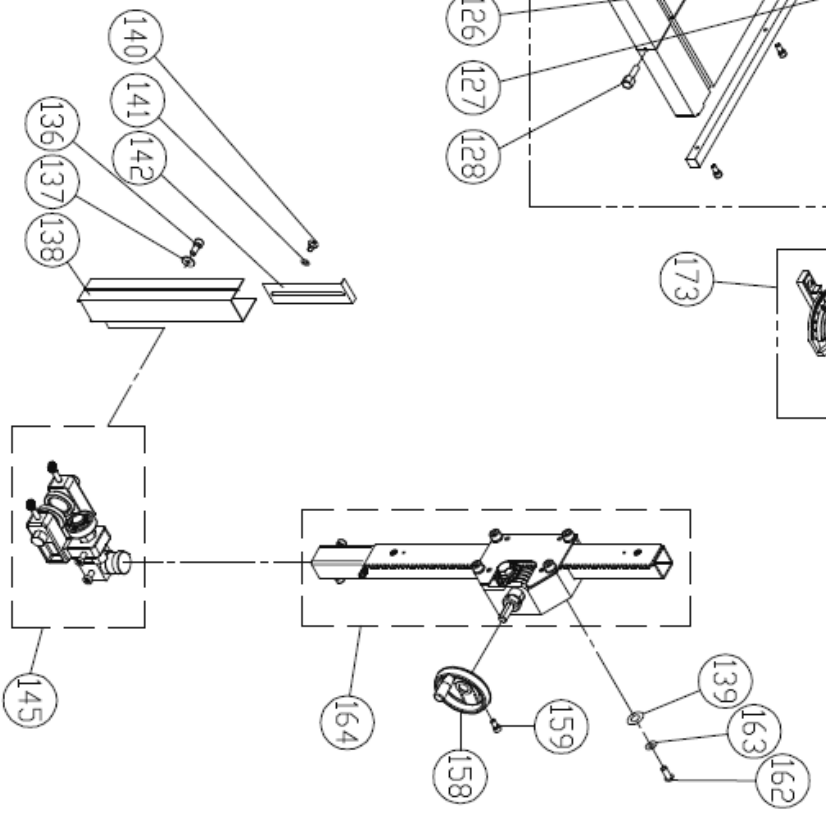
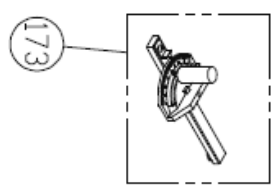
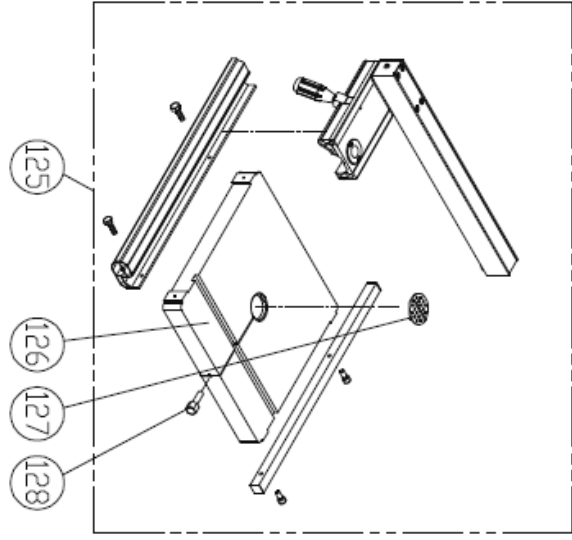
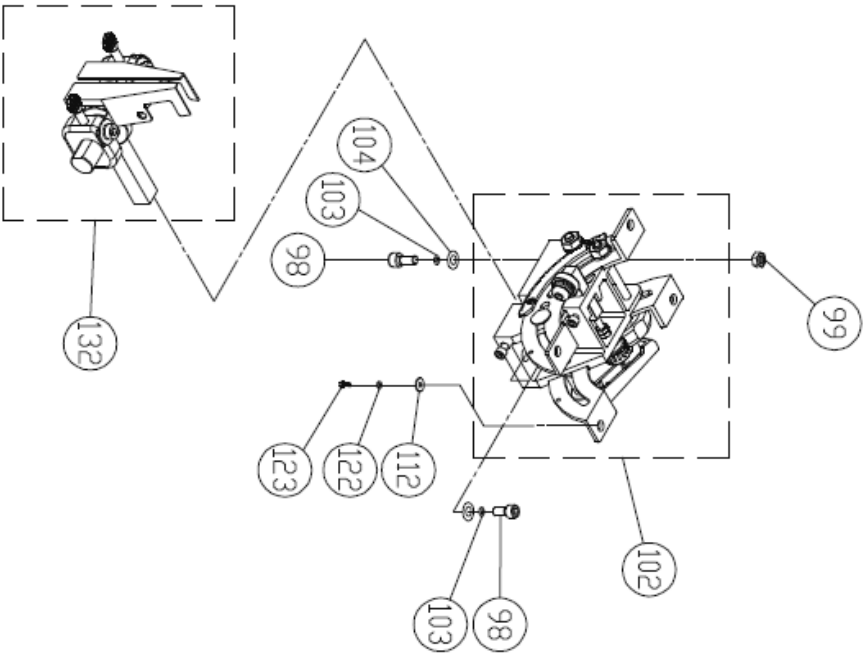


Holzbandsäge Proton HBS-480-2T





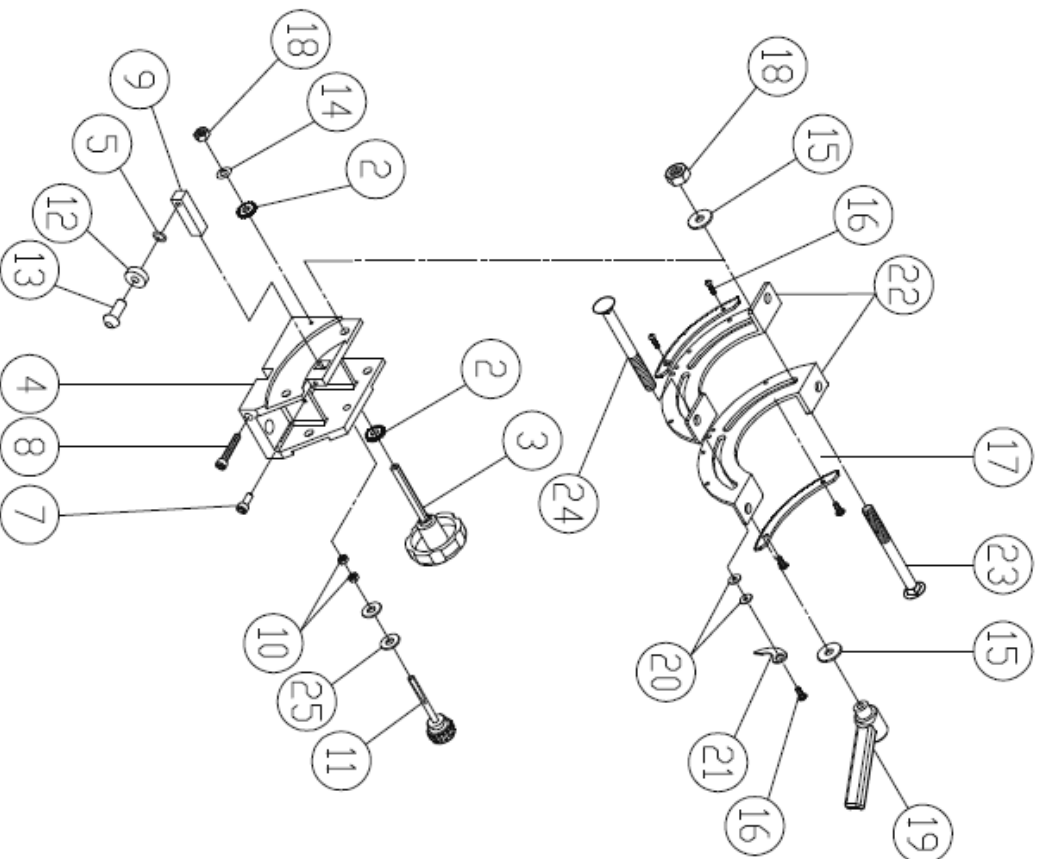
KEY NO.	PARTS NO.	DESCRIPTION	SIZE	Q'TY
1	WF040808	FLAT WASHER	M4x ϕ 8	6
2	NH040700	NUT	M4	4
3	SP040200	PAN HEAD BOLT	M4x8	2
4	995101	RING	M10	1
5	136162	MACHINE BODY		1
6	NL050800	NYLON NUT	M5	2
7	IC135042	SWITCH CORD		1
8	WF061310	FLAT WASHER	M6x ϕ 13	2
9	IC135001	POWER CORD		1
10	NH061000	NUT	M6	1
11	135040	POINTER		1
12	135073	STEP SCREW		1
13	135012	UPPER SHAFT		1
14	PS053500	SPRING PIN	ϕ 5x35	1
15	135017	UPPER WHEEL SHAFT HINGE		1
16	135066	UPPER WHEEL SHAFT		1
17	135039	BUSHING		2
18	BB620403	BALL BEARING	6204LLU	4
19	136002	UPPER WHEEL	ϕ 19"	1
20	RR470000	RETAINING RING	R47	4
21	WF083030	FLAT WASHER	M8x ϕ 30	2
22	SR089400	HEX SOCKET BOLT	M8X16	2
23	136010	SAW BLADE	6PTI 143"/3632.2± 4.2x3/4"x0.5mm	1
24	WS080000	SPRING WASHER	M8	2
25	SR060600	HEX SOCKET BOLT	M6x30	6
26	135048	TIRE		2
27	136003	LOWER WHEEL	ϕ 19"	1
28	135007	IDLE PULLEY		1
29	NH633801	NUT	1"-14 UNF	1
30	WS630000	SPRING WASHER	1"	1

KEY NO.	PARTS NO.	DESCRIPTION	SIZE	Q'TY
31	IM135001	MOTOR CORD		1
32	135032	SPRING		1
33	PS031600	SPRING PIN	φ 3X16	1
34	135042	LOCATE BLOCK		1
35	994301	BEARING	51201	1
36	170245	CE SWITCH	JD3	1
37	135002	HANDLE WHEEL		1
38	136007	ADJUSTING BOLT		1
39	SF050200	PAN HEAD BOLT W/FLANGE	M5X10	8
40	WE050000	STAR WASHER	M5	4
41	135067	BUSHING		1
42	NH050800	NUT	M5	4
43	135070	SWITCH PLATE		1
44	SR089400	HEX SOCKET BOLT	M8x16	2
45	WF083030	FLAT WASHER	M8x φ 30	2
46	135016	UPPER WHEEL SLIDING BRACKET		1
47	SR061000	HEX SOCKET BOLT	M6x50	1
48	BR000041	RIVET	φ 3.2x6	8
49	SR060200	HEX SOCKET BOLT	M6x10	1
50	135004	LIMPID PIECE		2
51	SF040700	PAN HEAD BOLT W/FLANGE	M4x35	2
52	136457	DOOR LATCH SWITCH	AZD-S11	1
53	WS050000	SPRING WASHER	M5	2
54	WF051210	FLAT WASHER	M5x φ 12	2
55	136166	UPPER WHEEL COVER		1
56	SH060500	HEX HEAD BOLT	M6x25	2
57	WF061310	FLAT WASHER	M6x φ 13	2
58	135051	BRUSH		2
59	SR060500	HEX SOCKET BOLT	M6x25	1
60	135041	KNOB		2

KEY NO.	PARTS NO.	DESCRIPTION	SIZE	Q'TY
61	NL061000	NYLON NUT	M6	6
62	709416	STRAIN RELIEF	M16	2
63	135011	HEIGHT POINTER		1
64	NH081300	NUT	M8	1
65	SH081800	HEX HEAD BOLT	M8x90	1
66	135022	KNOB SCREW		1
67	135020	KNOB SCREW		1
68	135028	LOCATE HANDLE	M10	1
69	135030	CAM		1
70	135038	LOCATE BLOCK		1
71	620021	KNOB		1
72	620020	LEVER ROD		1
73	NH121900	NUT	M12	1
74	135036	SHAFT		1
75	SJ080400	HEX SOCKET BOTTOM HEAD SCREW	M8x20	4
76	WS080000	SPRING WASHER	M8	4
77	WS080000	SPRING WASHER	M8	1
78	135013	COVER		1
79	SS080400	SET SCREW	M8x20	4
80	NH081300	NUT	M8	4
81	135005	LOWER WHEEL SHAFT		1
82	MH135004	MOTOR	1.5 HP	1
83	SR100500	HEX HEAD BOLT	M10x25	2
84	WS100000	SPRING WASHER	M10	2
85	135064	MOTOR BRACKET		1
86	SJ080400	HEX SOCKET BOTTOM HEAD SCREW	M8x20	4
87	135056	PLATE		1
88	SF050200	PAN HEAD BOLT W/FLANGE	M5x10	2
89	135065	LOCATE BLOCK		1
90	KS050535	KEY	5x5x35	1

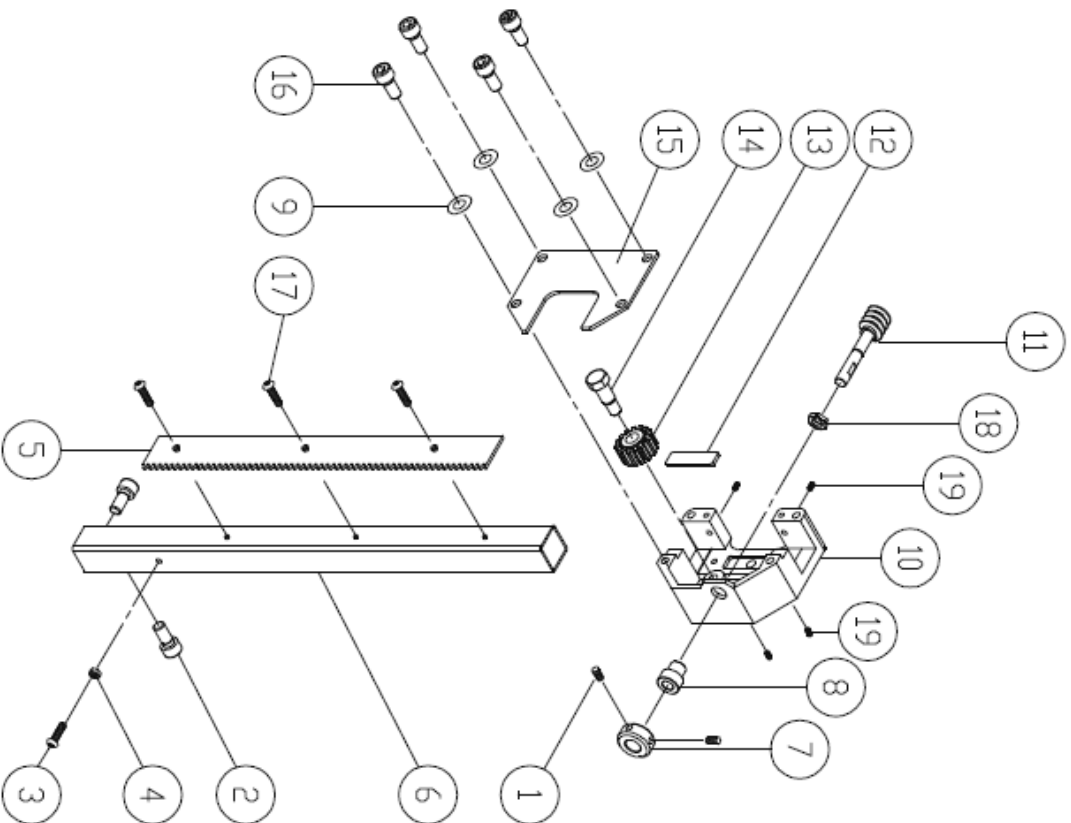
KEY NO.	PARTS NO.	DESCRIPTION	SIZE	Q'TY
91	SH080402	HEX HEAD BOLT	M8x20(L.H)	1
92	135008	MOTOR PULLEY		1
93	LA420000	V-BELT	A44	1
94	SR060200	HEX SOCKET BOLT	M6x10	1
95	136167	LOWER WHEEL COVER		1
96	SJ059400	FLAT WASHER	M6x13	2
97	WF083030	FLAT WASHER	M8x30	1
98	SR100700	HEX SOCKET BOLT	M10x35	2
99	NH101700	NUT	M10	1
102	AB135021	TRUNNION SUPPORT BRACKET (ASM)		1
103	WS100000	SPRING WASHER	M10	2
104	WF102325	FLAT WASHER	M10x φ 23	2
112	WF081820	FLAT WASHER	M8x φ 18	4
122	WS080000	SPRING WASHER	M8	4
123	SH089400	HEX HEAD BOLT	M8x16	4
125	AB198003	19" FENCE SET		1
126	136004	TABLE	19"x19"	1
127	135010	TABLE INSERT		1
128	100038	TABLE PIN		1
132	AB135059	LOWER BLADE GUIDE SUPPORT (ASM)		1
136	SR050200	HEX SOCKET BOLT	M5x10	2
137	WF051210	FLAT WASHER	M5x φ 12	2
138	135034	PROTECT COVER (ASM)		1
139	WF081818	FLAT WASHER	M8x φ 18	4
140	135073	STEP SCREW		1
141	135054	FIBER WASHER	φ 13x6x1.2	1
142	135037	SLIDING PLATE		1
145	AB135055	UPPER BLADE GUIDE SUPPORT (ASM)		1
152	SR060400	HEX SOCKET BOLT	M6x20	2
158	135006	HANDLE WHEEL		1

MODEL NO.: 19 Inch Band Saw
 PART NO.: AB135021
 TRUNNION SUPPORT BRACKET(ASM)



ITEM	PART NO.	Description	SIZE	Q'TY
2	135061	SMALL GEAR		2
3	135063	KNOB		1
4	135021	TRUNNION SUPPORT BRACKET		1
5	WS100000	SPRING WASHER	M10	1
7	SR060400	HEX HEAD BOLT	M6x20	1
8	SR061000	HEX HEAD BOLT	M6x50	1
9	135045	ADJUSTING BLOCK		1
10	NH061000	NUT	M6	2
11	135009	ADJUSTING BAR		1
12	BB60002A	BALL BEARING	6000ZZ	1
13	SJ100400	HEX SOCKET BOTTON HEAD SCREW	M10x20	1
14	WS080000	SPRING WASHER	M8	1
15	WF081820	FLAT WASHER	M8xφ18	2
16	SP049100	PAN HEAD BOLT	M4x6	5
17	135052	GEAR PLATE		2
18	NL081300	NYLON NUT	M8	2
19	135044	HANDLE	M8x25	1
20	WF040808	FLAT WASHER	M4xφ8	2
21	135078	POINTER		1
22	135025	TRUNNION PLATE		2
23	SC081600	CARRIAGE BOLT	M8x80	1
24	SC081700	CARRIAGE BOLT	M8x85	1
25	WF061300	FLAT WASHER	M6xφ13	2

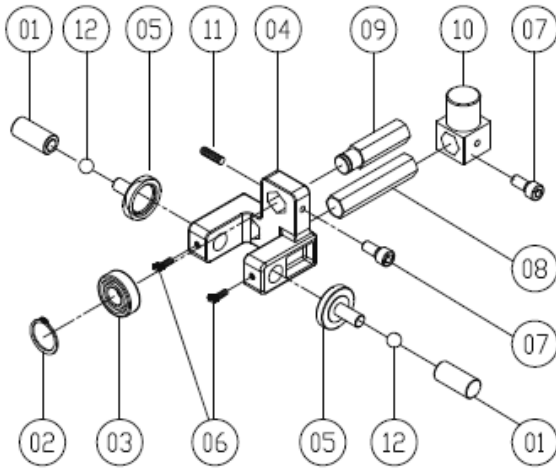
MODEL NO.: 19 Inch Band Saw
 PART NO.: AB135050
 GUIDE BRACKET(ASM)



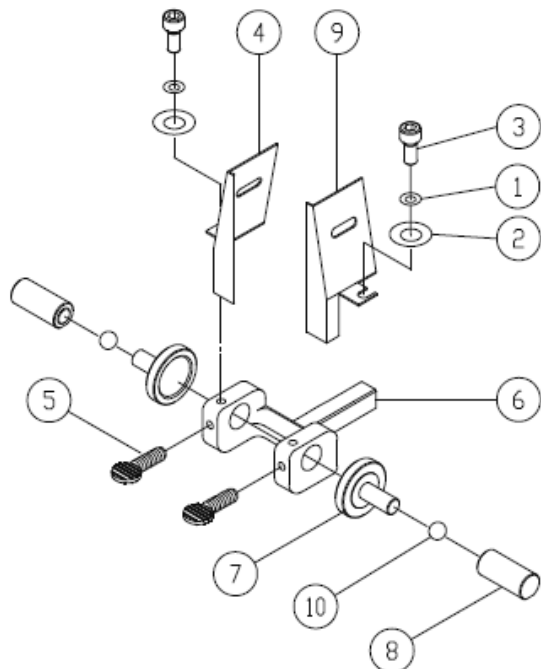
Item	Part NO	Description	Size	Qty
01	SS050100	SET BOLT	M5x5	2
02	SR069400	HEX SOCKET BOLT	M6x16	2
03	SP040200	PAN HEAD BOLT	M4x10	1
04	NH040700	NUT	M4	1
05	135029	RACK		1
06	135047	UPPER GUIDE HOSE		1
07	135015	LOCATE BUSHING		1
08	136453	BUSHING		1
09	WS080000	SPRING WASHER	M8	4
10	135050	GUIDE BRACKET		1
11	135033	WDRM CYLINDER		1
12	135062	FIXED PLATE		1
13	135049	GEAR		1
14	016320	FIXED BOLT		1
15	135046	COVER		1
16	SR089400	HEX SOCKET BOLT	M8x16	4
17	SN049200	COUNTER SUNK BOLT	M4x8	3
18	136473	NUT	M16xP1.5	1
19	990306	SET BOLT	M7x10	4

※ Item 8 & item 18 are connect to each other, has old and new version, we suggest you to place two parts together to prevent the problem.
 (When you order item 8 order item 18 together.)

MODEL NO.: 19 Inch Band Saw
PART NO.: AB135055
UPPER BLADE GUIDE SUPPORT(ASM)

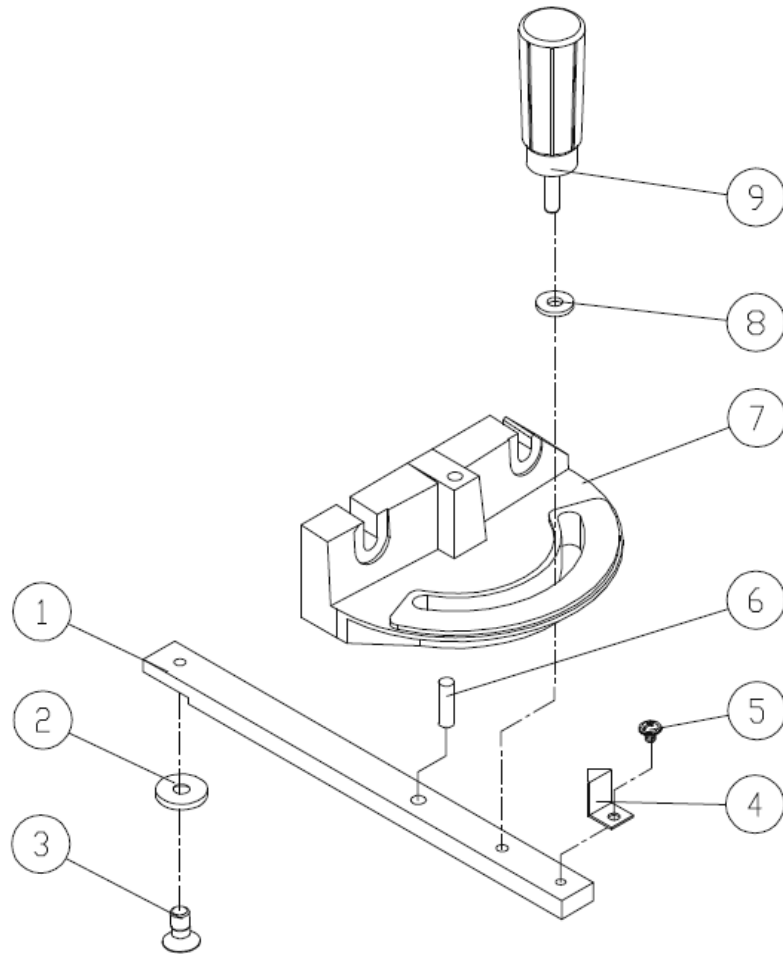


KEY NO.	PARTS NO.	DESCRIPTION	SIZE	QTY
12	994151	STEEL BALL	Ø5	2
11	SS069400	SET BOLT	M6x16	1
10	135057	UPPER GUIDE SUPPORT BLOCK		1
09	135060	UPPER SPACING SLEEVE		1
08	135053	ADJUST BAR		1
07	SR069400	HEX SOCKET BOLT	M6x16	2
06	150013	THUMB SCREW	M6x16	2
05	135058	GUIDE RING		2
04	135055	UPPER BLADE GUIDE SUPPORT		1
03	BB620202A	BALL BEARING	6202ZZ	1
02	RS150000	RETAINING RING	S15	1
01	135018	LOWER ADJUST SHAFT		2



MODEL NO.: 19 Inch Band Saw
PART NO.: AB135059
LOWER BLADE GUIDE SUPPORT

Item	Part NO	Description	Size	Q'ty
01	WS060000	SPRING WASHER	M6	2
02	WF061310	FLAT WASHER	M6xØ13	2
03	SR069100	HEX SOCKET BOLT	M6x6	2
04	135031	LEFT COVER		1
05	150013	THUMB BOLT	M6x16	2
06	135059	LOWER BLADE GUIDE SUPPORT		1
07	135058	GUIDE RING		2
08	135018	LOWER ADJUST SHAFT		2
09	135035	RIGHT COVER		1
10	994151	BALL	Ø5	2



MODEL NO.: 19 Inch Band Saw
PART NO.: AB198101
MITER GAUGE ASS'Y

Item	Part NO	Description	Size	Q'ty
01	198101	GUIDE BAR		1
02	198102	GUIDE PIECE		1
03	SN069200	COUNTER SUNK BOLT	M6x6	1
04	198103	POINTER		1
05	SF059200	PAN HEAD BOLT W/FLANGE	M5x8	1
06	198107	STEEL PIN	Ø6.5x10	1
07	198106	MITER GAUGE BODY		1
08	198104	NYLON WASHER		1
09	198105	HANDLE		1