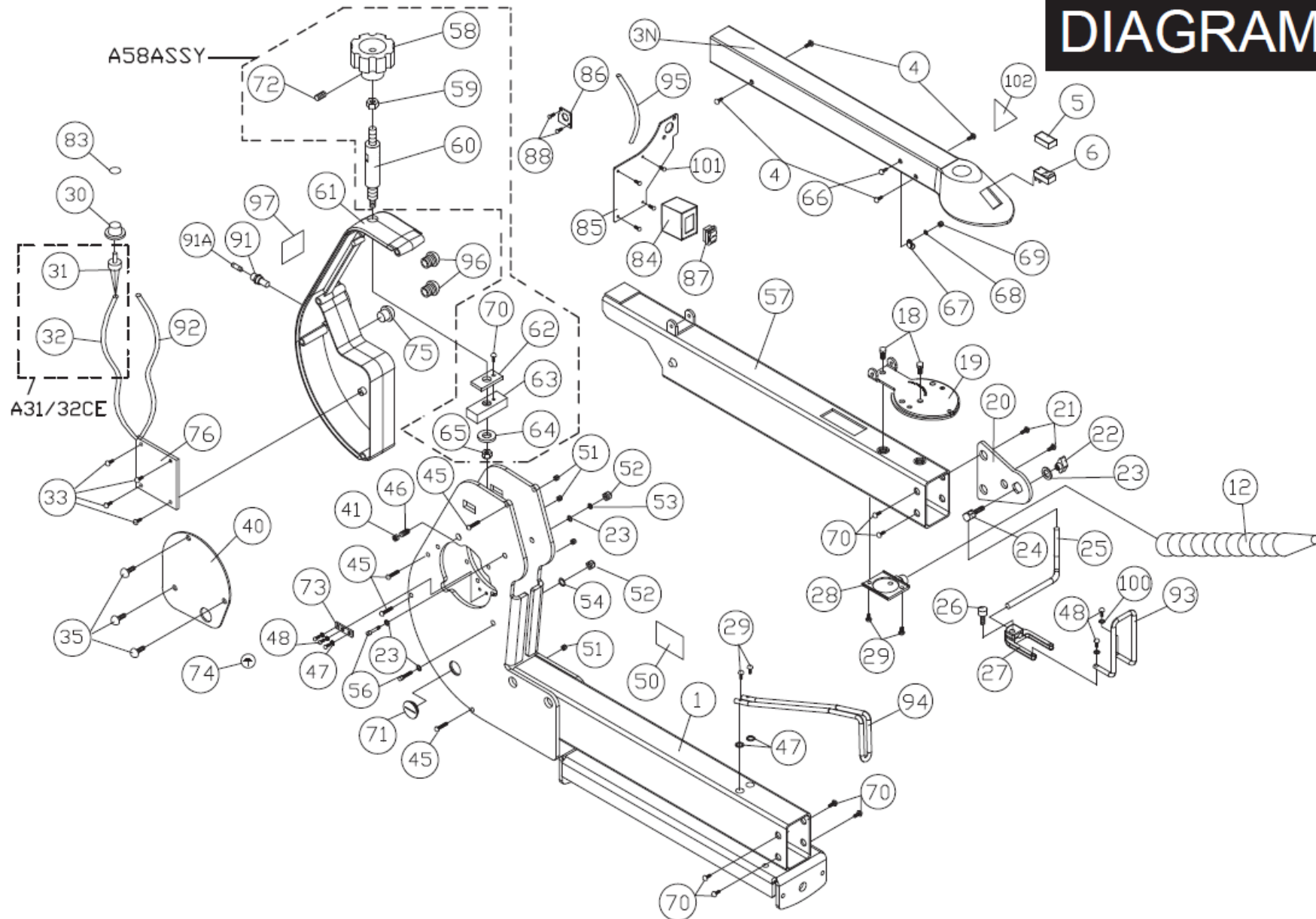


Nr. No.	Artikel Article	Beschreibung Désignation	Menge Quantité
1	SC16-A78 SC21-A01 SC30-A01	Main Body	1
03N	SC16-A79 SC21-A03N SC30-A03	Top Cover	1
4	SC21-A04	Allen Screw 10-32x1/4	4
5	SC21-A05	Switch Cover	1
6	SC21-A06	Switch	1
12	SC21-A12	Air Nozzle	1
18	SC21-A18	BOLT 1/4-20x1/2	2
19	SC21-A19	Upper & Lower Tension Plate	1
20	SC21-A20	Hold Down Mount Plate	1
21	SC21-A21	Allen Screw 10-32x3/8	2
22	SC21-A22	Hold Down Clamp Knob	1
23	SC21-A23	Washer 1/4x16x1.8	4
24	SC21-A24	Hold Down Clamp Screw	1
25	SC21-A25	Hold Down Bar	1
26	SC21-A26	Cap Screw #10-32x1/2	1
27	SC21-A27	Hold Down Forks	1
28	SC21-A28	Dust Blower	1
29	SC21-A29	Tap Screw 8-32UNF 3/8"	4
30	SC21-A30	VR Knob	1
31	SC21-A31CE	VR	1
32	SC16-A81 SC21-A32CE SC30-A32CE SC21-A31/32CE	Control Cable Control Cable Control Cable VR-With control cable 1	1
33	SC21-A33	Screw M4x8	4
35	SC21-A35	Allen Screw 1/4-20x1/2	3

40	SC21-A40	Gear Cover	1
41	SC21-A41	Nut 3/8xT5.5	1
45	SC21-A45	Allen Screw 10-32x2-1/4	4
46	SC21-A46	Screw 3/8x5/8	1
47	SC21-A47	Washer 8	3
48	SC21-A48	Screw 8-32x1/4	3
50	SC21-50 SC30-50	ID Label	1
51	SC21-A51	Nylon Nut 10-32	4
52	SC21-A52	Nylon Nut 1/4-20UNC	2
53	SC21-A53	Lock Washer 1/4	1
54	SC21-A54	Flat Washer 1/4.(O.D.13)	1
56	SC21-A56	Screw 1/4*2-1/2	2
57	SC21-A57 SC30-A57	Upper Arm	1
58	SC21-A58 SC21-A58ASSY	Knob Upper arm rising knob assembly	1
59	SC21-A59	Nut M8	1
60	SC21-A60	Adjusting lever	1
61	SC21-A61	Control Box	1
62	SC21-A62	Cross Block Retainer	1
63	SC21-A63	Housing Cross Block	1
64	SC21-A64	Flat Washer M6x16x2	1
65	SC21-A65	Nylon Nut M6	1
66	SC21-A66	Allen Screw #10-32x1/2	1
67	SC21-A67	R Fastener ACC2	1
68	SC21-A68	Washer 10	1
69	SC21-A69	Nylon Nut 10-32	1
70	SC21-A70	Allen Screw 10-32x5/16	7
71	SC21-A71	Button	1

72	SC21-A72	Set Screw M4x5	1
73	SC21-A73	Ground Plate	1
74	SC21-A74	Ground Label	1
75	SC21-A75	Strain Relief PG11	1
76	SC21-A76 SC30-A76	Motor Control Set	1
83	SC21-A83	Label	1
84	SC21-A84	Switch Box	1
85	SC21-A85	control plate	1
86	SC21-A86	Fixing plate	1
87	SC21-A87	Switch	1
88	SC21-A88	Round Head Screw 10-24UNCx3/8 "	2
91	SC21-A91	Fuseholder	1
91A	SC21-A91A	Fuse	2
92	SC21-A92	Power Cord	1
93	SC21-A93	Protection bracket-Up	1
94	SC21-A94	Protection bracket-Down	1
95	SC21-A95	Short power cord	1
96	SC21-A96	Strain relief PG9	2
97	SC21-A97	Fuseholder Label	1
100	SC21-A100	Lock Washer M4x4	2
101	SC21-A101	Round Head Screw M4x8	4
102	SC21-A102	Warning Label	1

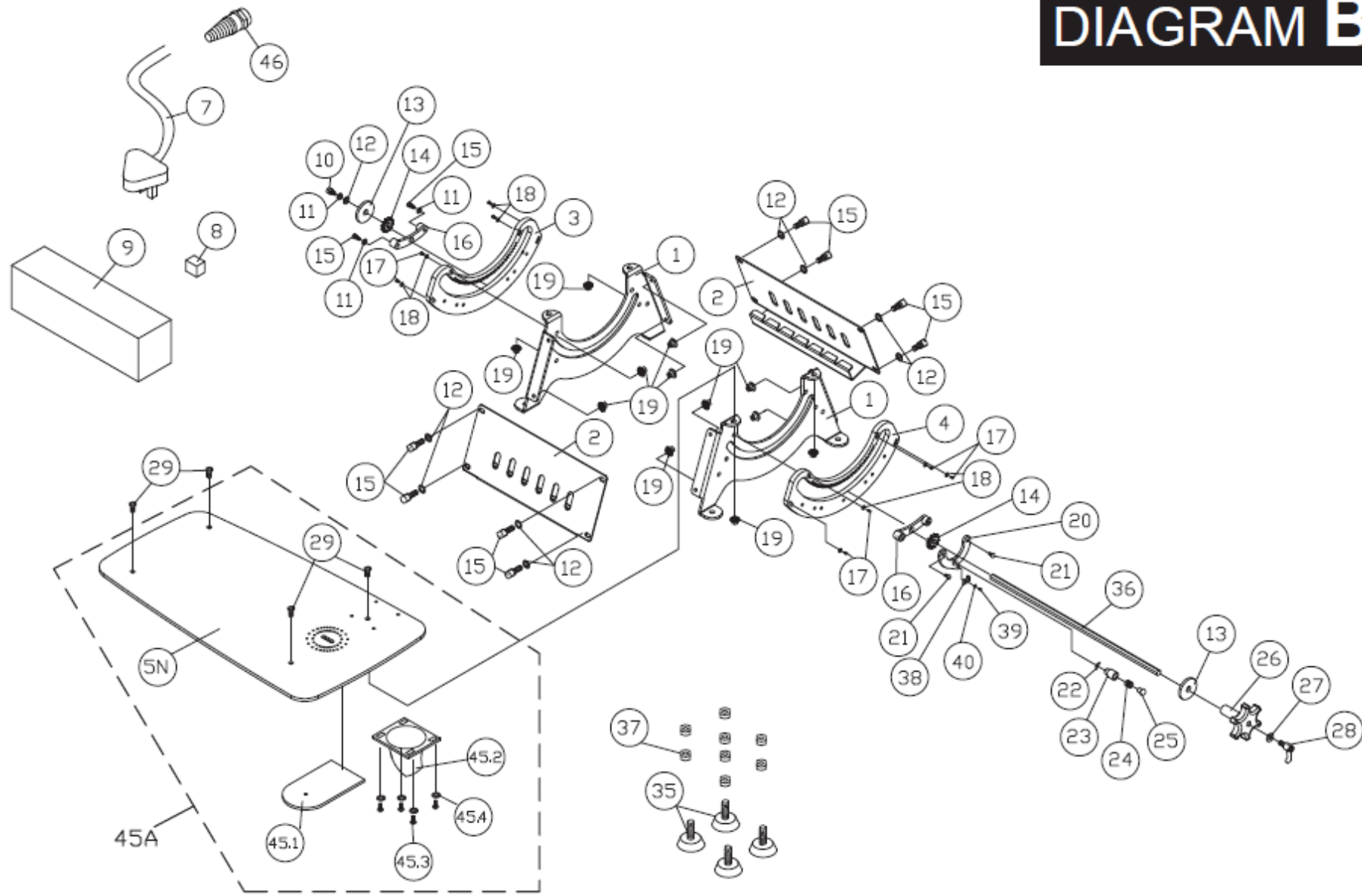
**DIAGRAM A**



Nr. No.	Artikel Article	Beschreibung Désignation	Menge Quantité
1	SC21-B01	Trunnion	2
	SC16-B41		
2	SC21-B02	Side Panel	2
	SC30-B02		
3	SC21-B03	Rear Trunnion Plate	1
4	SC21-B04	Front Trunnion Plate	1
	SC16-B42		
05N	SC21-B05N	Table	1
	SC30-B05N		
7	SC21-B07	Power Cord	1
8	SC21-B08	Spong Block	1
9	SC21-B09	Polyfoam	1
10	SC21-B10	Screw 1/4-20UNC*1/2	1
11	SC21-B11	Lock Washer 1/4"	3
	SC16-B43	Washer 1/4 "	8
12	SC21-B12	Washer 1/4 "	9
	SC30-B12	Washer 1/4	9
13	SC21-B13	Blade Tilt Washer	2
14	SC21-B14	Blade Tilt Drive Gear	2
	SC16-B44	Screw 1/4-20UNC 3/4	8
15	SC21-B15	Screw 1/4-20UNC 3/4	10
	SC30-B15	Screw 1/4-20UNC 3/4	10
16	SC21-B16	Angle Follower	2
17	SC21-B17	Screw 10-32x5/16	8
18	SC21-B18	Washer 10x12x1	8
19	SC21-B19	Nut 1/4-20UNC	12
20	SC21-B20	Angle Indicator	1
21	SC21-B21	Allen Screw 1/4-20x1"	2
22	SC21-B22	E Ring ETW-3	1
23	SC21-B23	Tilt Detent Barrel	1

24	SC21-B24	Spring	1
25	SC21-B25	Detent Plunger	1
26	SC21-B26	Tilt Handle	1
27	SC21-B27	Washer 1/4x16X3	1
28	SC21-B28	Blade Tilt Locking Lever	1
29	SC21-B29	Flat Head Screw 1/4-20x3/4	4
35	SC21-B35	Leveling foot 3/8-16x1-1/4	4
36	SC21-B36 SC30-B36	Tilt Lock Draw Rod	1
37	SC21-B37	Nut 3/8-16UNC	8
38	SC21-B38	Pointer	1
39	SC21-B39	Round Head Screw M4x6mm	1
40	SC21-B40	Washer M4	1
45A	SC21-B45A SC30-B45A	Dust collector table kit	1
45.1	SC21-B45.1	Plastic shroud	1
45.2	SC21-B45.2	Dust chute	1
45.3	SC21-B45.3	Round Head Screw 8-32unc-5/16	4
45.4	SC21-B45.4	Washer 8-32unc	4
46	SC21-B46	Strain relief 210-7010-M16-10	1

### DIAGRAM B



Nr. No.	Artikel Article	Beschreibung Désignation	Menge Quantité
2	SC21-C02	Balance Block	1
3	SC21-C03 Set	Screw M6*6	1
4	SC21-C04	Allen Screw 1/4-20x1/2	3
5	SC21-C05	Lock Washer 1/4	3
6	SC21-C06	Flat Washer 1/4x16x1.8	3
7	SC21-C07	Motor Cover Plate	1
8	SC21-C08	Screw M6x16	4
9	SC21-C09	Bearing 608ZZ	1
10	SC21-C10	Motor Cam	1
11	SC21-C11	Nut M8XP1.25 LH	1
12	SC21-C12	Bearing 810	3
14C	SC21-C14C	Rocker Cam	1
15	SC21-C15	Lock Nut M5	2
17	SC21-C17	Bearing 609	12
18C	SC21-C18C	Inner Bearing Sleeve (Short) $\psi$ 6.03x21	2
19	SC21-C19	Cap Screw M5*28	1
20N	SC21-C20N	Bearing Cover	2
21	SC21-C21	Bearing 1412	2
22	SC21-C22	Main Rocker Pivot $\psi$ 14.04x35.5	1
23	SC21-C23	Nut M4	12
24	SC21-C24	Cap Screw M4*25	2
26	SC21-C26	Air Pump Bellows	2
27	SC21-C27	Front Rocker	2
27C	SC21-C27C	Upper and Lower rocker assembly for SC16 & SC21	
	SC30-C27C	Upper and Lower rocker assembly for SC30	
28	SC21-C28	Washer M8*15*0.6	6
29C	SC21-C29C	Inner Bearing Sleeve-Front Rocker $\psi$ 8.03x18.40mm	2
30C	SC21-C30C	Bearing Inner Sleeve (Long) $\psi$ 6.03x37mm	2
31C	SC21-C31C	Rocker Mount	2



32C	SC21-C32C	Cap Screw M4*45	2
33C	SC21-C33C	Cap Screw M4*25	4
35	SC21-C35	Strut	2
36C	SC21-C36C	Blade Chuck	1
36ASSY	SC21-C36ASSY	Blade Chuck bottom assembly	
37	SC21-C37 Set	Screw M6*14	2
38	SC21-C38	Blade Clamp Thumb screw	2
39	SC21-C39	Blade	1
40	SC21-C40	Allen Key 3MM	1
41C	SC21-C41C	Clamp Bracket	1
42	SC21-C42	Set Screw 1/4-20UNC	1
43	SC21-C43	Spring	1
44	SC21-C44	Tension Lever for SC16 & SC21 5mm	1
	SC30-C44	Tension Lever for SC30 7mm	1
45N	SC21-C45	Cap Screw M5x22	1
46	SC21-C46	Sliding Bracket	1
46A	SC21-C46A	Upper blade tension assembly for SC16 & SC21	
	SC30-C46A	Upper blade tension assembly for SC30	
57	SC21-C57	Washer M4x10x1	4
58C	SC21-C58C	Inner Bearing Sleeve (Long) $\psi 6.02 \times 16.5\text{mm}$	4
59C	SC21-C59C	Bearing Inner Sleeve $\psi 8.03 \times 21.5\text{mm}$	1
60	SC21-C60	Washer M5	2
61	SC21-C61	Cap Screw M4*27	2
62	SC21-C62	Washer M4x14x1	12
	SC16-C64		
64	SC21-C64	Drive link Assy	2
	SC30-C64		
	SC16-C64A		
64A	SC21-C64A	Complete drive link Ass'y	
	SC30-C64A		
65	SC21-C65	Motor	1
66	SC21-C66	Spacer	1

67	SC21-C67	Bearing inner sleeve (Short) $\psi 6.03 \times 16 \text{mm}$	2
68	SC21-C68	Cap Screw M4x30	2
69	SC21-C69	Washer M4*8*1	8
70	SC21-C70	Carbon brush	2
71	SC21-C71 SC30-C71	Motor Label	1
72	SC21-C72	Black Label	1
73	SC21-C73	Nut M6	2

**DIAGRAM C**

