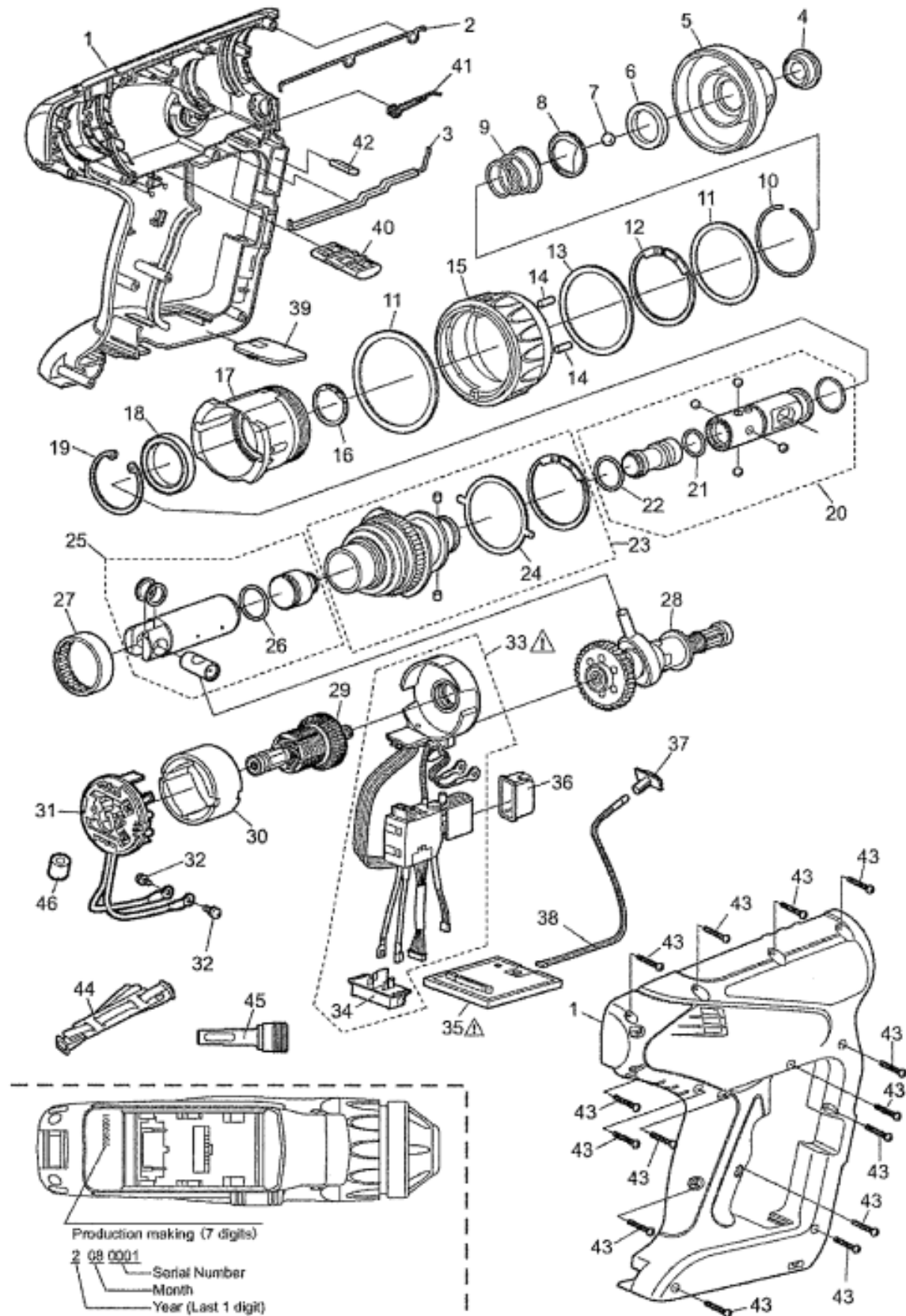


Artikel Nr.	Beschreibung	Menge
Article No	Désignation	Quantité
1	WEY78A1H3078 HOUSING AB SET for EU	1
2	WEY6803L3997 SEAL A	1
3	WEY6803L3987 SEAL B	1
4	WEY6813H3117 CHUCK COVER	1
5	WEY6803K3127 CHUCK HANDLE	1
6	WEY6813L0427 BALL GUIDE	1
7	WEY6813L1917 STEEL BALL $\phi$ 7	1
8	WEY6813L0437 CHUCK SPRING STRIKE	1
9	WEY6813L0917 CHUCK SPRING	1
10	WEY6803L1167 C-TYPE RING	1
11	WEY6803L3137 FELT	1
12	WEY6803L0467 SNAP RING ISTW42	1
13	WEY6803L0857 THRUST PLATE	1
14	WEY6803L1707 LOCK PIN	2
15	WEY78A1H3227 CLUTCH HANDLE	1
16	WEY6813L0477 SNAP RING ISTW42	1
17	WEY6803Y3297 CLUTCH CASE	1
18	WEY6813L4957 BEARING 6805LUX	1
19	WEY6803L0477 SNAP RING RTW37	1
20	WEY6803L4067 SPINDLE ASSEMBLY	1
21	WEY6813L0327 O RING P10A	1
22	WEY6813L0347 O RING AS112	1
23	WEY7840L4907 CLUTCH ASSEMBLY	1
24	WEY6803L0087 CLICK PLATE	1
25	WEY7840L1247 PISTON ASSEMBLY	1
26	WEY6803L0977 O RING	1
27	WEY6803L0387 NEEDLE BEARING	1
28	WEY6803L4057 INTERMEDIATE SPAFT ASSEMBLY	1
29	WEY7840L1467 MOTOR ROTOR ASSEMBLY	1
30	WEY7840L1187 MOTOR STATOR ASSEMBLY	1
31	WEY7840L2307 MOTOR BRUSH ASSEMBLY	1
32	WEY6230L6027 SCREW FOR MOTOR K3-6 (5PCS/PK)	2
33	WEY78A1L2008 SWITCH ASSEMBLY	1
34	WEY7880L2157 BATTERY TERMINAL BASE	1
35	WEY78AIL2118 MAIN PCB ASSEMBLY	1
36	WEY7840K3137 TRIGGER COVER	1
37	WEY6803L2337 LED COVER	1
38	WEY7840L2337 LED LIGHT	1
39	WEY7804K3338 OPERATION PANEL	1
40	WEY7880L3147 F/R HANDLE	1
41	WEY6803L0927 POWER SPRING	1
42	WEY6803L0137 CUSHION RUBBER	1

43	WEY6230K9216	TORX TF.PPING SCREW K3-20 1 (5PCS/PK)	14
44	WEY7880L3417	SHOULDER BELT	1
45	WEY9HX403	BIT ADAPTOR	1
46	WEY7840K0208	FERRITE CORE	1
-	WEY9L40R2788	BATTERY PACK COVER	1
-	WEY78A1K7019	TOOL CASE	1
	WEY78A1K8108	OPERATING INSTRUCTIONS	1



- \* Battery Pack is available as an optional accessory. See the nearest sales dealer for details.
- \* For replacement parts of charger, see the charger service manual.
- Charger complete set is available as an optional accessory. See the nearest sales dealer for details.