

Technical data:

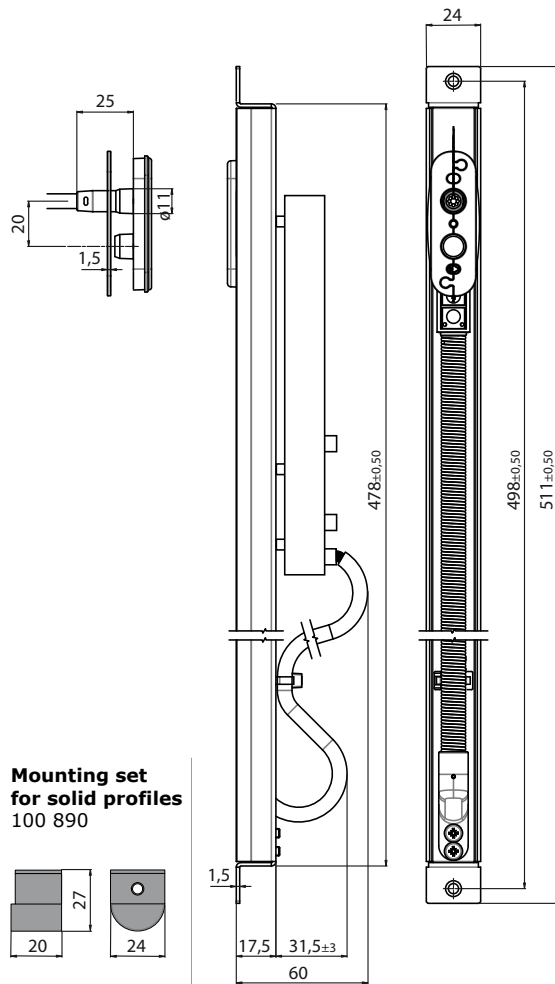
Electrical parameters: 2,5 A; 12-24 V DC
 Cable: Li9Y11Y, 8 x 0,34 mm², RoHS compliant
 Cable length door frame: 2,5 m
 Cable length door leaf: 0,8 m with CP35/8 connector for control panel
 IP Rating: IP40 / connector IP67
 Temperature: from -20 °C to +75 °C



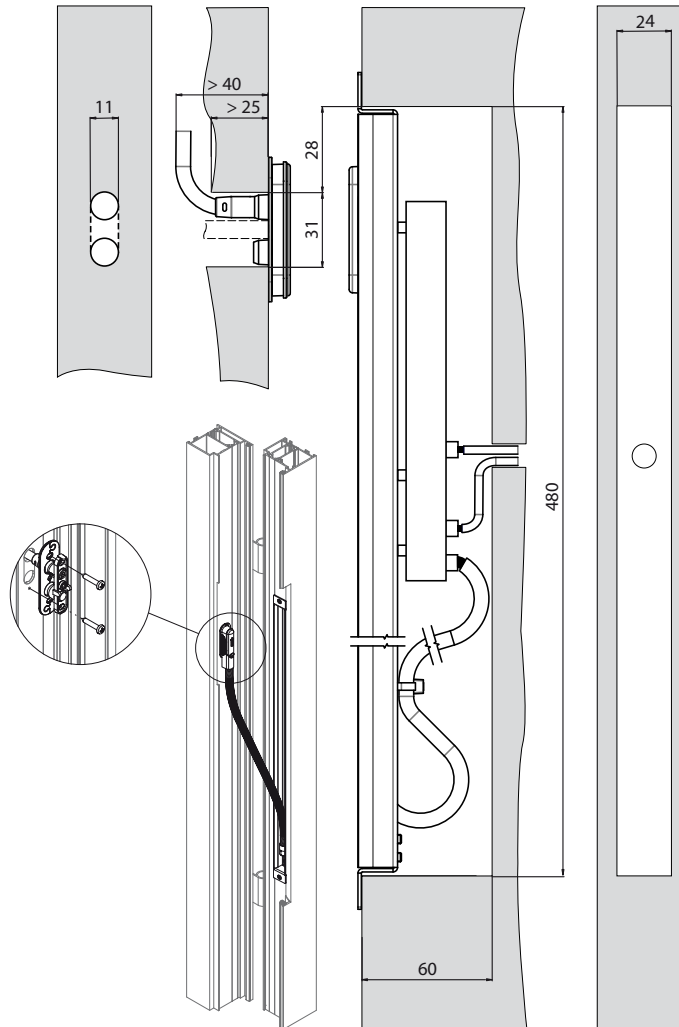
MONTAGEANLEITUNG
 MOUNTING INSTRUCTIONS
 MONTÁŽNÍ NÁVOD
 NOTICE DE MONTAGE
 ISTRUZIONI DI MONTAGGIO
 MONTAGEAANWIJZING
 MONTÁŽNY NÁVOD
 NAVODILA ZA MONTAŽO
 ID180/373: Version 2, 06.10.2014
<http://www.ekey.net/downloads>

802038

Dimensions



Milling dimensions for mounting into hollow profiles



Milling dimensions for mounting into solid profiles

